

Please note that the data given here has been taken from the online catalog. For comprehensive information and data, please refer to the user documentation at <http://www.download.phoenixcontact.com>. The General Terms and Conditions of Use apply to Internet downloads.

► Extract from the online catalog



Universal terminal block with screw connection, cross section: 50 - 150 mm², width: 31 mm, color: gray

Order No.	3010110
Ord designation	UKH 150
EAN	4017918091842
Pack	10 Pcs.
Customs tariff	85369010
Catalog page information	Page 215 (CL-2005)

► Technical data

General

Number of levels	1
Number of connections	2
Color	gray
Insulating material	PA
Inflammability class acc. to UL 94	V0

Dimensions

Width	31 mm
Length	100 mm
Height NS 35/15	118.5 mm
Height NS 32	116 mm

Technical data

Rated surge voltage	8 kV
Contamination class	3
Surge voltage category	III
Insulating material group	I
Connection in acc. with standard	IEC/ DIN VDE
Nominal current I_N	309 A
Nominal voltage U_N	1000 V
Open side panel	nein

Connection data

Conductor cross section, rigid min.	35 mm ²
Conductor cross section, rigid max.	150 mm ²
Conductor cross section flexible min.	50 mm ²
Conductor cross section, flexible max.	150 mm ²
Conductor cross section AWG/kcmil min.	2
Conductor cross section AWG/kcmil max	300
Conductor cross section flexible, with ferrule without plastic sleeve min.	50 mm ²
Conductor cross section flexible, with ferrule without plastic sleeve max.	150 mm ²
Conductor cross section flexible, with ferrule with plastic sleeve min.	50 mm ²
Conductor cross section flexible, with ferrule with plastic sleeve max.	150 mm ²
2 conductors with same cross section, solid min.	25 mm ²
2 conductors with same cross section, solid max.	50 mm ²
2 conductors with same cross section, flexible, min.	35 mm ²
2 conductors with same cross section, flexible max.	50 mm ²
2 conductors with same cross section, flexible, ferrules without plastic sleeve min.	25 mm ²
2 conductors with same cross section, flexible, ferrules without plastic sleeve, max.	30 mm ²
Type of connection	Screw connection
Stripping length	40 mm
Screw thread	M 10
Tightening torque, min	25 Nm

► Certificates

CSA

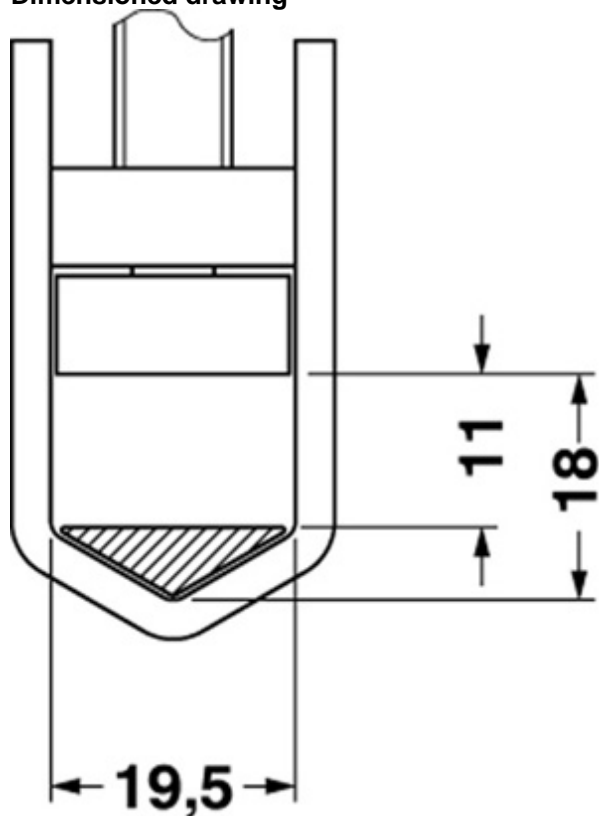
Nominal voltage U_N	600 V
Nominal current I_N	275 A
AWG/kcmil	2-300

UL

Nominal voltage U_N	600 V
Nominal current I_N	285 A
AWG/kcmil	2-300

► Drawings

Dimensioned drawing



Approval logo





► Accessories

Item	Designation	Description
Assembly		
3003554	AGK 10-UKH 150/240	Pick-off terminal block, fully insulated, enables a voltage connection up to a nominal voltage of 1000 V, color: Gray
1201659	E/AL-NS 32	End bracket, for end support of UKH 50 - UKH 240, is pushed onto DIN rail NS 32 and fixed with 2 screws, width: 10 mm, color: Aluminum
1201662	E/AL-NS 35	End bracket, for end support of UKH 50 to UKH 240, is pushed onto DIN rail NS 35 and fixed with 2 screws, width: 10 mm, color: aluminum
1201028	NS 32 AL UNPERF 2000MM	G rail 32 mm (NS 32)
1201280	NS 32 CU/120QMM UNPERF 2000MM	G-profile DIN rail, deep-drawn, material: Copper, unperforated, height 15 mm, width 32 mm, length 2 m
1201358	NS 32 CU/35QMM UNPERF 2000MM	G-profile DIN rail, material: Copper, unperforated, height 15 mm, width 32 mm, length 2 m
1201002	NS 32 PERF 2000MM	G-profile DIN rail, material: Steel, perforated, height 15 mm, width 32 mm, length 2 m
1201015	NS 32 UNPERF 2000MM	G-profile DIN rail, material: Steel, unperforated, height 15 mm, width 32 mm, length 2 m
1201756	NS 35/15 AL UNPERF 2000MM	DIN rail, deep-drawn, high profile, unperforated, 1.5 mm thick, material: Aluminum, height 15 mm, width 35 mm, length 2 m
1201895	NS 35/15 CU UNPERF 2000MM	DIN rail, material: Copper, unperforated, 1.5 mm thick, height 15 mm, width 35 mm, length: 2 m
1201730	NS 35/15 PERF 2000MM	DIN rail, material: Steel, perforated, height 15 mm, width 35 mm, length: 2 m
1201714	NS 35/15 UNPERF 2000MM	DIN rail, material: Steel, unperforated, height 15 mm, width 35 mm, length: 2 m
1201798	NS 35/15-2,3 UNPERF 2000MM	DIN rail, material: Steel, unperforated, 2.3 mm thick, height 15 mm, width 35 mm, length: 2 m
Bridges		
0201388	EB 2-31/UKH	Insertion bridge, 2-pos., fully insulated, is laid into terminal sleeve and snap fitted into the terminal housing
0201391	EB 3-31/UKH	Insertion bridge, 3-pos., fully insulated, is laid into terminal sleeve and snap fitted into the terminal housing
Marking		
1004513	WS-2K	Adhesive warning plate, self-adhesive, black print: lightning flash with mixed version - "Vorsicht Spannung - Attention Danger" size of label: 32 x 26 mm
1050525	ZB10:SO/CMS	Zack strip, 10-section, divisible, special printing, marking according to customer requirements
Plug/Adapter		
3009244	UKH 150/240 EP	Insertion profile, levels out the prism-shaped sleeve base when using flat conductors

► **Address**

PHOENIX CONTACT Inc., USA
586 Fulling Mill Road
Middletown, PA 17057
USA
Phone (800) 888-7388
Fax (717) 944-1625
<http://www.phoenixcon.com>
Phoenix Contact
Technical modifications reserved;