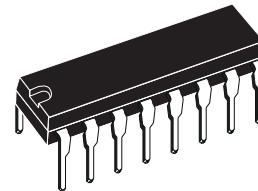




ULN2001A-ULN2002A ULN2003A-ULN2004A

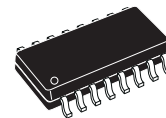
SEVEN DARLINGTON ARRAYS

- SEVEN DARLINGTONS PER PACKAGE
- OUTPUT CURRENT 500mA PER DRIVER (600mA PEAK)
- OUTPUT VOLTAGE 50V
- INTEGRATED SUPPRESSION DIODES FOR INDUCTIVE LOADS
- OUTPUTS CAN BE PARALLELED FOR HIGHER CURRENT
- TTL/CMOS/PMOS/DTL COMPATIBLE INPUTS
- INPUTS PINNED OPPOSITE OUTPUTS TO SIMPLIFY LAYOUT



DIP16

ORDERING NUMBERS: ULN2001A/2A/3A/4A



SO16

ORDERING NUMBERS: ULN2001D/2D/3D/4D

DESCRIPTION

The ULN2001A, ULN2002A, ULN2003 and ULN2004A are high voltage, high current darlington arrays each containing seven open collector darlington pairs with common emitters. Each channel rated at 500mA and can withstand peak currents of 600mA. Suppression diodes are included for inductive load driving and the inputs are pinned opposite the outputs to simplify board layout.

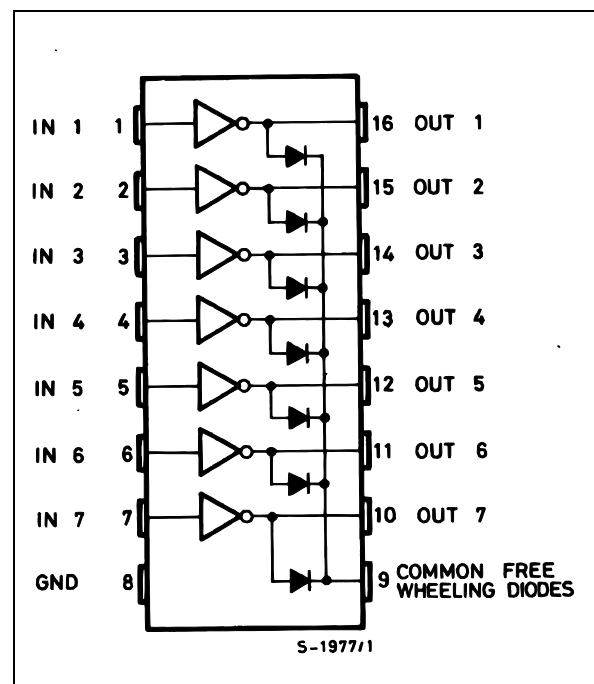
The four versions interface to all common logic families :

ULN2001A	General Purpose, DTL, TTL, PMOS, CMOS
ULN2002A	14-25V PMOS
ULN2003A	5V TTL, CMOS
ULN2004A	6-15V CMOS, PMOS

These versatile devices are useful for driving a wide range of loads including solenoids, relays DC motors, LED displays filament lamps, thermal print-heads and high power buffers.

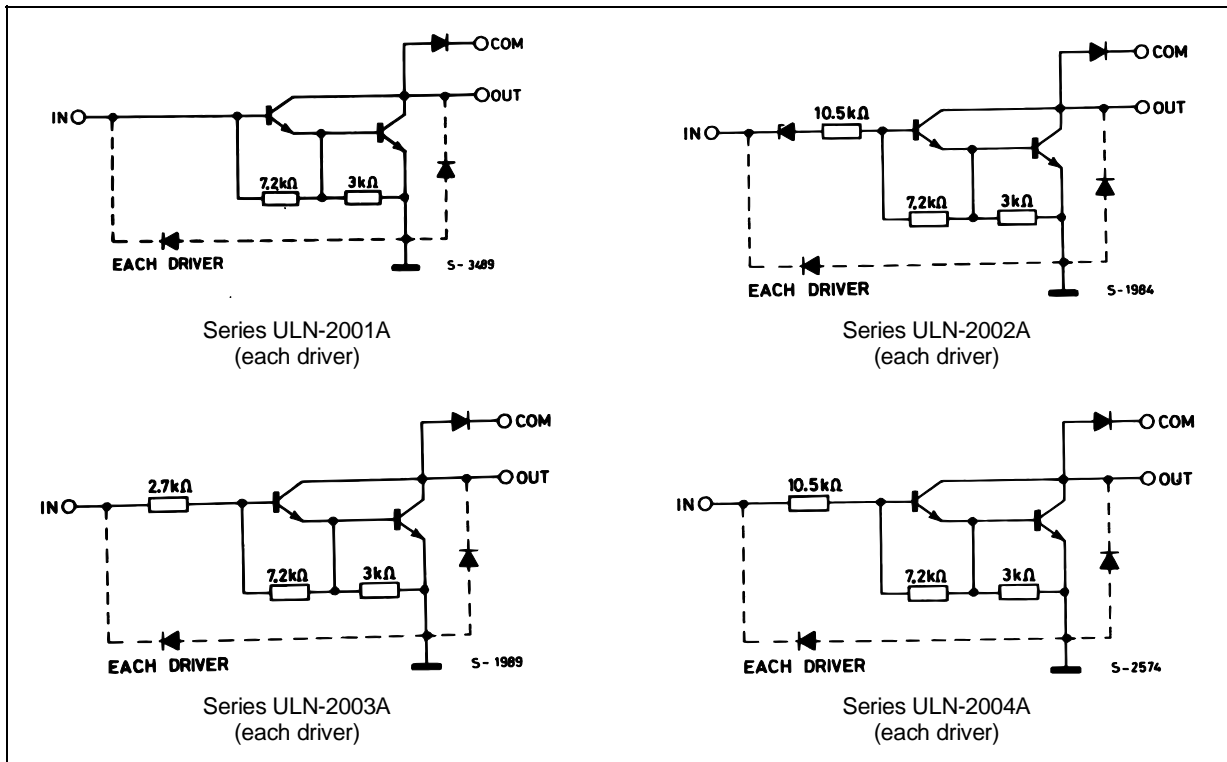
The ULN2001A/2002A/2003A and 2004A are supplied in 16 pin plastic DIP packages with a copper leadframe to reduce thermal resistance. They are available also in small outline package (SO-16) as ULN2001D/2002D/2003D/2004D.

PIN CONNECTION



ULN2001A - ULN2002A - ULN2003A - ULN2004A

SCHEMATIC DIAGRAM



ABSOLUTE MAXIMUM RATINGS

Symbol	Parameter	Value	Unit
V_o	Output Voltage	50	V
V_{in}	Input Voltage (for ULN2002A/D - 2003A/D - 2004A/D)	30	V
I_c	Continuous Collector Current	500	mA
I_b	Continuous Base Current	25	mA
T_{amb}	Operating Ambient Temperature Range	- 20 to 85	°C
T_{stg}	Storage Temperature Range	- 55 to 150	°C
T_j	Junction Temperature	150	°C

THERMAL DATA

Symbol	Parameter	DIP16	SO16	Unit
$R_{th j-amb}$	Thermal Resistance Junction-ambient	Max. 70	120	°C/W

ULN2001A - ULN2002A - ULN2003A - ULN2004A

ELECTRICAL CHARACTERISTICS ($T_{amb} = 25^{\circ}\text{C}$ unless otherwise specified)

Symbol	Parameter	Test Conditions	Min.	Typ.	Max.	Unit	Fig.
I_{CEX}	Output Leakage Current	$V_{CE} = 50\text{V}$ $T_{amb} = 70^{\circ}\text{C}, V_{CE} = 50\text{V}$			50 100	μA μA	1a 1a
		$T_{amb} = 70^{\circ}\text{C}$ for ULN2002A $V_{CE} = 50\text{V}, V_i = 6\text{V}$			500	μA	1b
		for ULN2004A $V_{CE} = 50\text{V}, V_i = 1\text{V}$			500	μA	1b
$V_{CE(sat)}$	Collector-emitter Saturation Voltage	$I_C = 100\text{mA}, I_B = 250\mu\text{A}$		0.9	1.1	V	2
		$I_C = 200\text{mA}, I_B = 350\mu\text{A}$		1.1	1.3	V	2
		$I_C = 350\text{mA}, I_B = 500\mu\text{A}$		1.3	1.6	V	2
$I_{i(on)}$	Input Current	for ULN2002A, $V_i = 17\text{V}$		0.82	1.25	mA	3
		for ULN2003A, $V_i = 3.85\text{V}$		0.93	1.35	mA	3
		for ULN2004A, $V_i = 5\text{V}$		0.35	0.5	mA	3
		$V_i = 12\text{V}$		1	1.45	mA	3
$I_{i(off)}$	Input Current	$T_{amb} = 70^{\circ}\text{C}, I_C = 500\mu\text{A}$	50	65		μA	4
$V_{i(on)}$	Input Voltage	$V_{CE} = 2\text{V}$ for ULN2002A $I_C = 300\text{mA}$			13	V	5
		for ULN2003A $I_C = 200\text{mA}$			2.4		
		$I_C = 250\text{mA}$			2.7		
		$I_C = 300\text{mA}$			3		
		for ULN2004A $I_C = 125\text{mA}$			5		
		$I_C = 200\text{mA}$			6		
		$I_C = 275\text{mA}$			7		
		$I_C = 350\text{mA}$			8		
h_{FE}	DC Forward Current Gain	for ULN2001A $V_{CE} = 2\text{V}, I_C = 350\text{mA}$	1000				2
C_i	Input Capacitance			15	25	pF	
t_{PLH}	Turn-on Delay Time	$0.5 V_i$ to $0.5 V_o$		0.25	1	μs	
t_{PHL}	Turn-off Delay Time	$0.5 V_i$ to $0.5 V_o$		0.25	1	μs	
I_R	Clamp Diode Leakage Current	$V_R = 50\text{V}$			50	μA	6
		$T_{amb} = 70^{\circ}\text{C}, V_R = 50\text{V}$			100	μA	6
V_F	Clamp Diode Forward Voltage	$I_F = 350\text{mA}$		1.7	2	V	7

TEST CIRCUITS

Figure 1a.

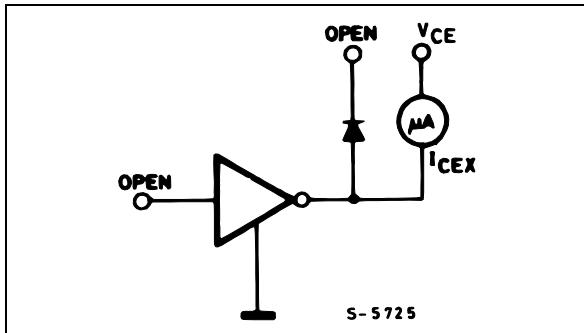


Figure 1b.

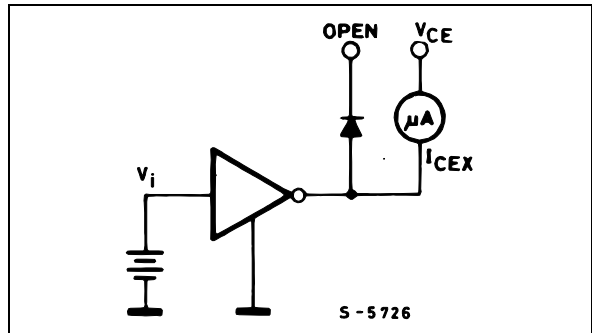


Figure 2.

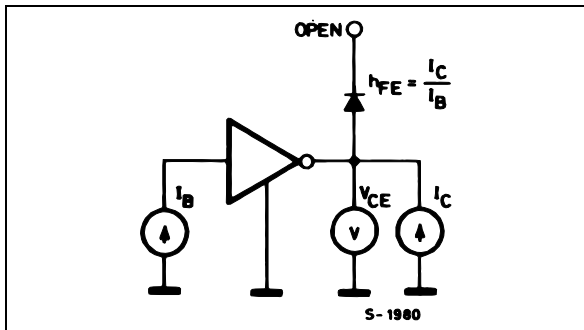


Figure 3.

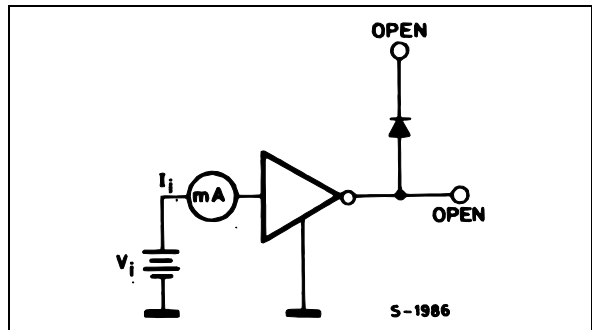


Figure 4.

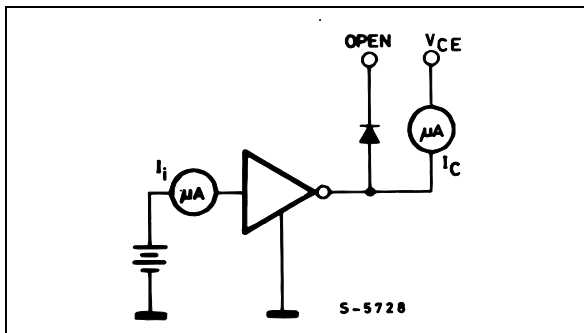


Figure 5.

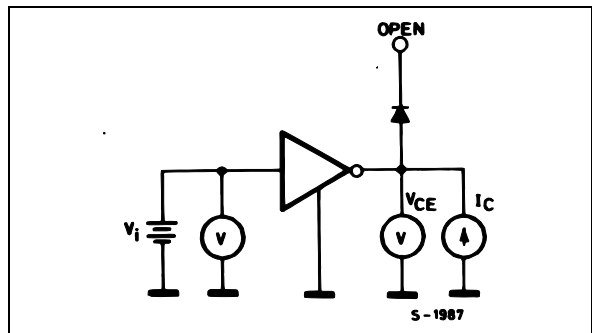


Figure 6.

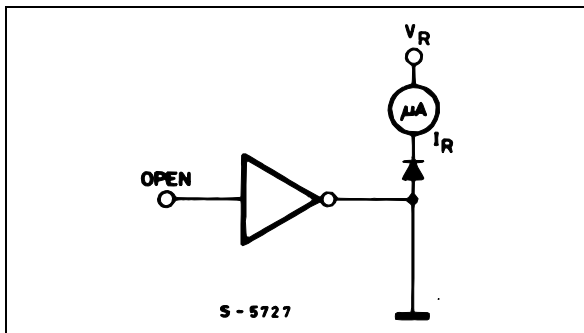


Figure 7.

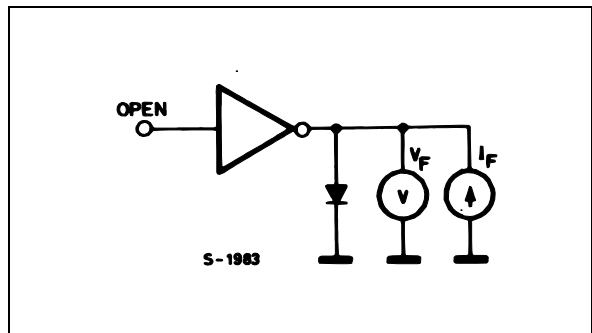


Figure 8: Collector Current versus Input Current

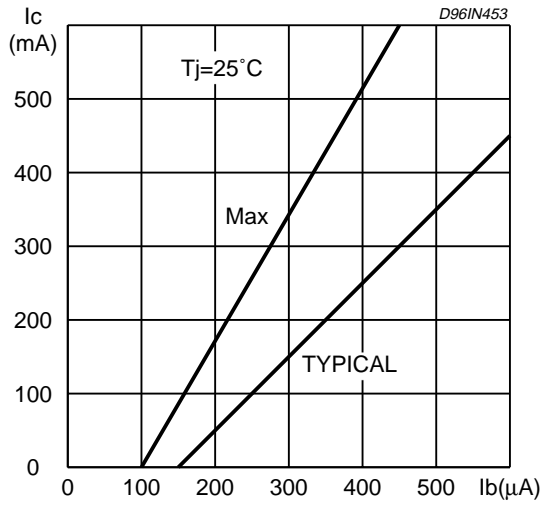


Figure 9: Collector Current versus Saturation Voltage

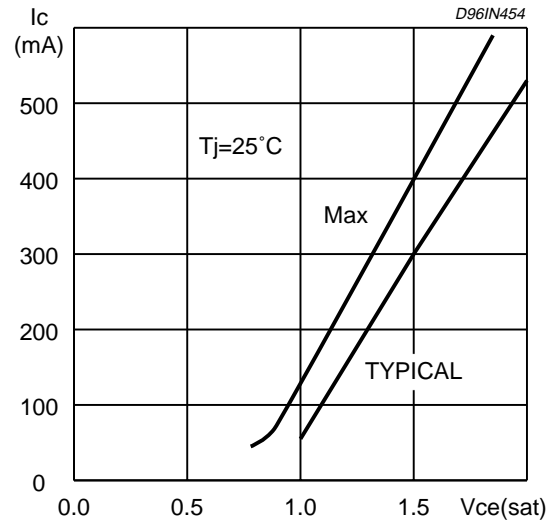


Figure 10: Peak Collector Current versus Duty Cycle

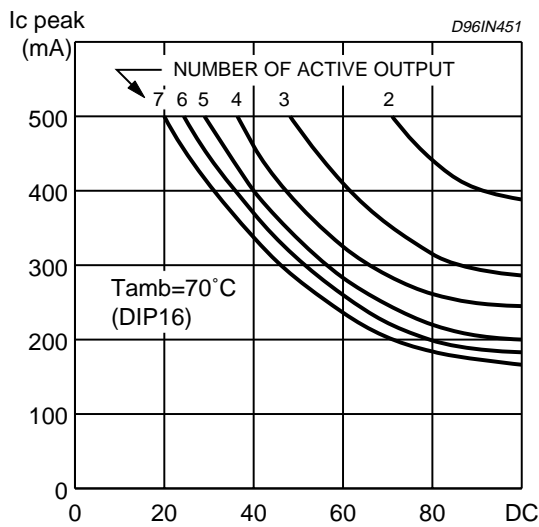
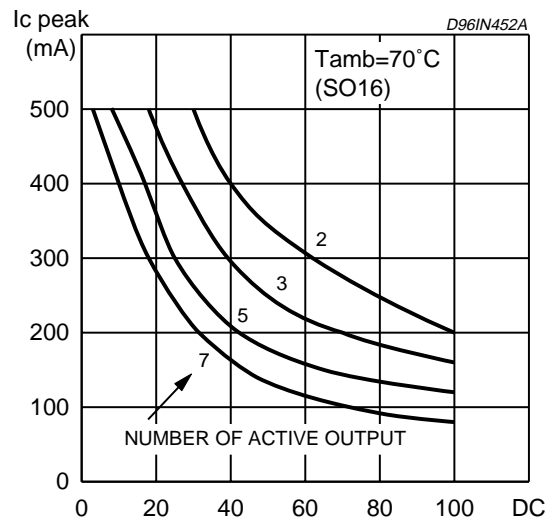


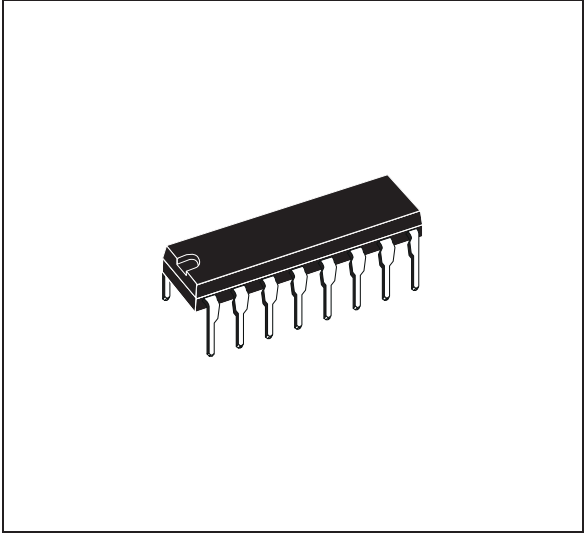
Figure 11: Peak Collector Current versus Duty Cycle



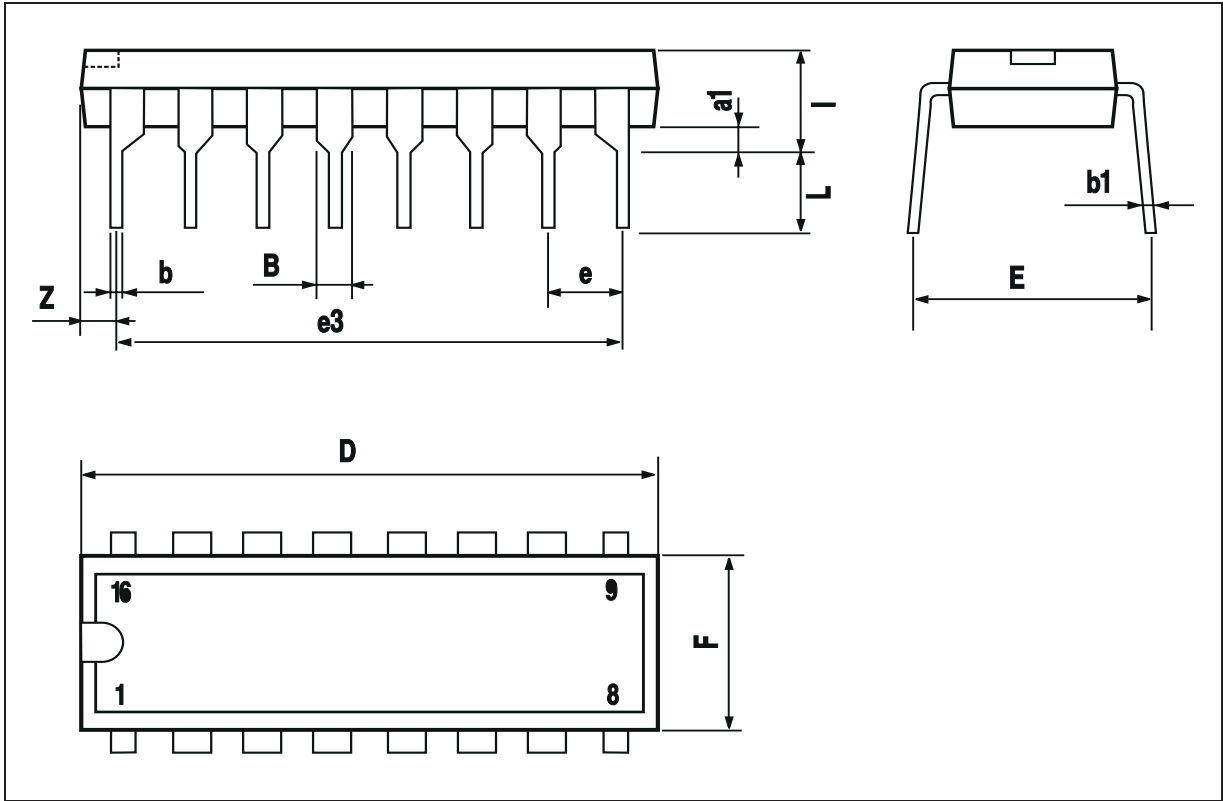
ULN2001A - ULN2002A - ULN2003A - ULN2004A

DIM.	mm			inch		
	MIN.	TYP.	MAX.	MIN.	TYP.	MAX.
a1	0.51			0.020		
B	0.77		1.65	0.030		0.065
b		0.5			0.020	
b1		0.25			0.010	
D			20			0.787
E		8.5			0.335	
e		2.54			0.100	
e3		17.78			0.700	
F			7.1			0.280
I			5.1			0.201
L		3.3			0.130	
Z			1.27			0.050

OUTLINE AND MECHANICAL DATA

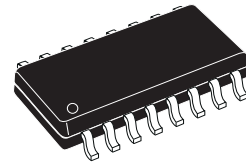


DIP16



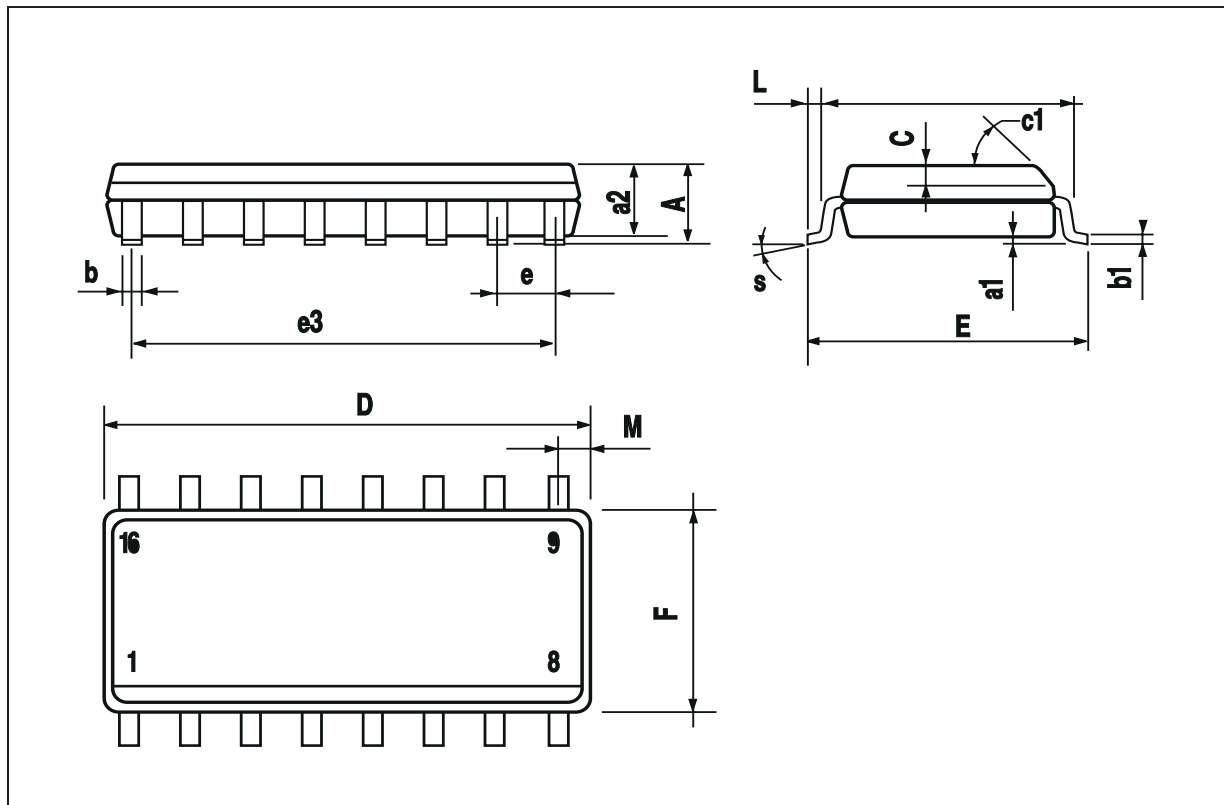
DIM.	mm			inch		
	MIN.	TYP.	MAX.	MIN.	TYP.	MAX.
A			1.75			0.069
a1	0.1		0.25	0.004		0.009
a2			1.6			0.063
b	0.35		0.46	0.014		0.018
b1	0.19		0.25	0.007		0.010
C		0.5			0.020	
c1	45° (typ.)					
D (1)	9.8		10	0.386		0.394
E	5.8		6.2	0.228		0.244
e		1.27			0.050	
e3		8.89			0.350	
F (1)	3.8		4	0.150		0.157
G	4.6		5.3	0.181		0.209
L	0.4		1.27	0.016		0.050
M			0.62			0.024
S	8°(max.)					

OUTLINE AND MECHANICAL DATA



SO16 Narrow

(1) D and F do not include mold flash or protrusions. Mold flash or protrusions shall not exceed 0.15mm (.006inch).



Information furnished is believed to be accurate and reliable. However, STMicroelectronics assumes no responsibility for the consequences of use of such information nor for any infringement of patents or other rights of third parties which may result from its use. No license is granted by implication or otherwise under any patent or patent rights of STMicroelectronics. Specification mentioned in this publication are subject to change without notice. This publication supersedes and replaces all information previously supplied. STMicroelectronics products are not authorized for use as critical components in life support devices or systems without express written approval of STMicroelectronics.

The ST logo is a registered trademark of STMicroelectronics
© 2002 STMicroelectronics – Printed in Italy – All Rights Reserved
STMicroelectronics GROUP OF COMPANIES

Australia - Brazil - Canada - China - Finland - France - Germany - Hong Kong - India - Israel - Italy - Japan - Malaysia - Malta - Morocco - Singapore - Spain - Sweden - Switzerland - United Kingdom - United States.

<http://www.st.com>