

# LED Indicator Lamps (SLA · SLR)

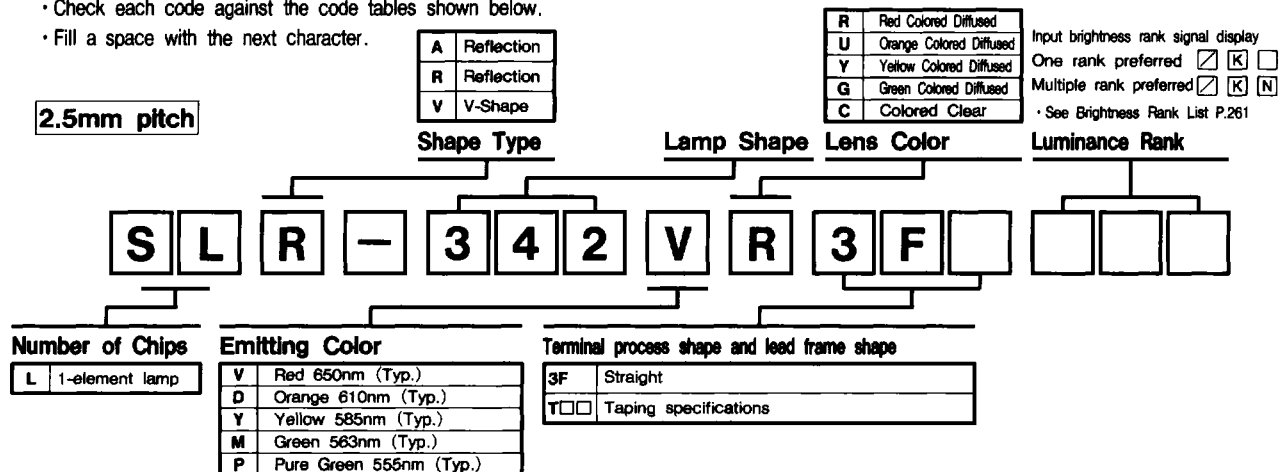
## Direct mount LED lamps

Lead pitch of 2.5mm and 5mm allow direct mount on PCB by using an automatic placement machine.  
Direct mount lamps won't fall down.

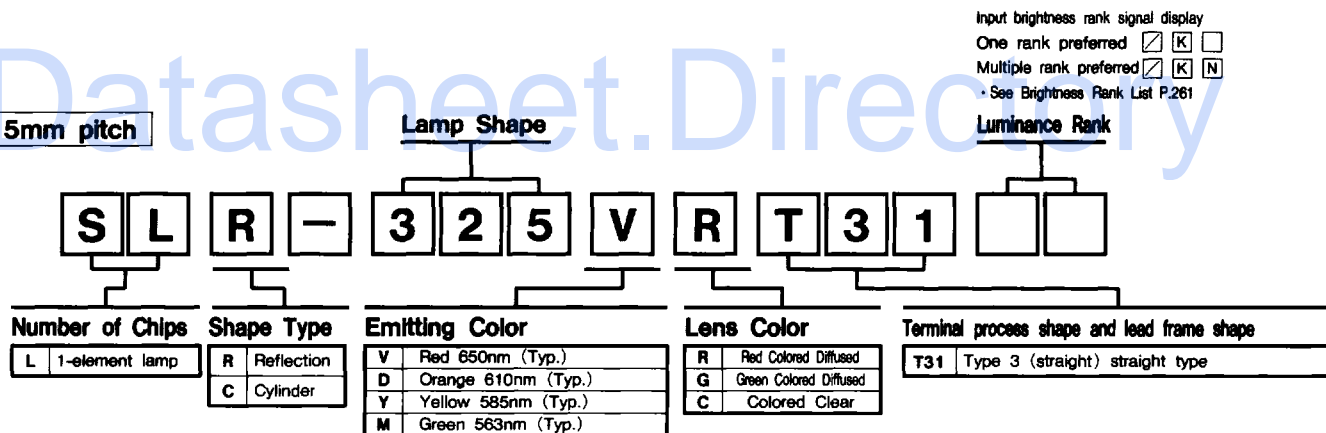
### ●Product Designation

- When ordering, specify the type.
- Check each code against the code tables shown below.
- Fill a space with the next character.

2.5mm pitch



5mm pitch

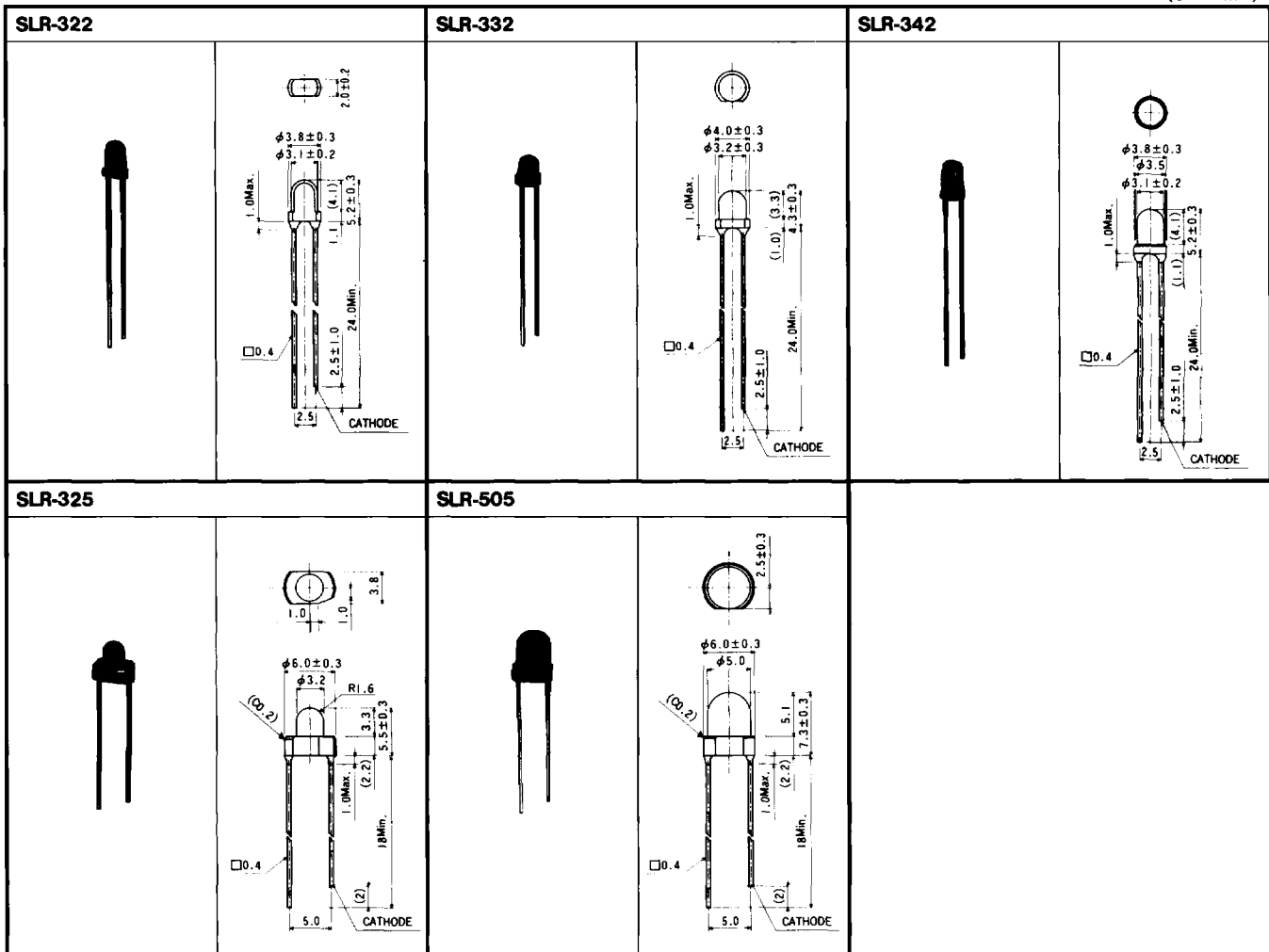


● Reflector types (SLR) , Flat disc types (SLR)

| Type            | Emitter surface size (mm) | Series name | Lamp | Emitting color<br>Emitting material<br>λ p (nm) | Red          | Orange       | Yellow       | Green | Basic ordering unit             | Quantity /package | Quantity /bag | Rank |
|-----------------|---------------------------|-------------|------|---|--------------|--------------|--------------|-------|---------------------------------|-------------------|---------------|------|
|                 |                           |             |      |   | GeAsP on GaP | GeAsP on GaP | GeAsP on GaP | GaP   |                                 |                   |               |      |
| Flat disc types | φ3.1                      | SLR-322     |      | Colored clear                                   | VC           | DC           | YC           | MC    | 2,000                           | 2,000             | 100           | ◎    |
|                 |                           |             |      | Colored diffused                                | VR           | DU           | YY           | MG    |                                 |                   |               |      |
| Reflector types | φ3.2                      | SLR-332     |      | Colored clear                                   | VC           | DC           | YC           | MC    | 2,000                           | 2,000             | 100           | ◎    |
|                 |                           |             |      | Colored diffused                                | VR           | DU           | YY           | MG    |                                 |                   |               |      |
|                 | φ3.1                      | SLR-342     |      | Colored clear                                   | VC           | DC           | YC           | MC    | 2,000                           | 2,000             | 100           | ◎    |
|                 |                           |             |      | Colored diffused                                | VR           | DU           | YY           | MG    |                                 |                   |               |      |
|                 | φ3.2                      | SLR-325     |      | Colored clear                                   | VC           | DC           | YC           | MC    | 2,000<br>(Straight taping only) | 2,000             | -             | ◎    |
|                 |                           |             |      | Colored diffused                                | VR           | -            | YY           | MG    |                                 |                   |               |      |
|                 | φ5.0                      | SLR-505     |      | Colored clear                                   | VC           | DC           | -            | MC    | 2,000<br>(Straight taping only) | 2,000             | -             | ◎    |
|                 |                           |             |      | Colored diffused                                | VR           | -            | YY           | MG    |                                 |                   |               |      |

◎ : Standard products

(Unit : mm)



LED Indicator Lamps

LED

Taping condition  
Page 233  
Taping specifications

Page 233