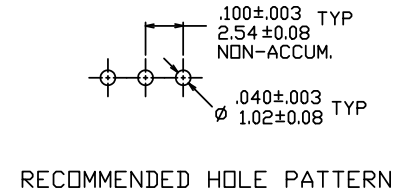
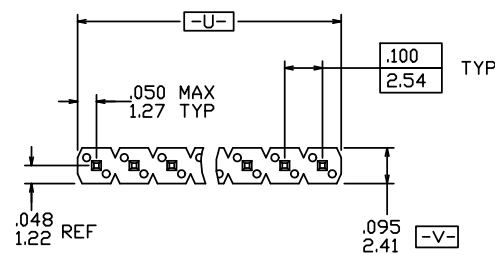
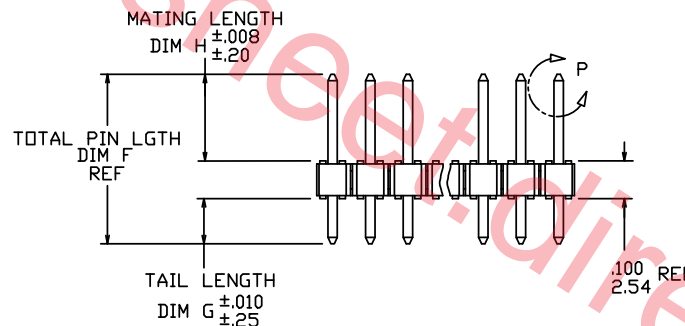


PRODUCT NUMBER
XXXXX-YYYHTLF

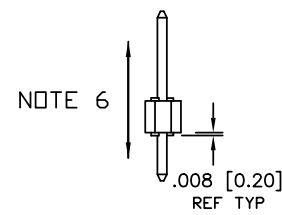
- LEAD FREE OPTION
SEE NOTE 1,11
- TUBE PACKAGING OPTION
SEE NOTE 1
- HIGH TEMPERATURE PLASTIC
SEE NOTE 1
- NO OF POSITIONS
SEE NOTE 1
- PIN PLATING
SEE SHEET 2
- BASE PART NO.



TOP VIEW



SIDE VIEW

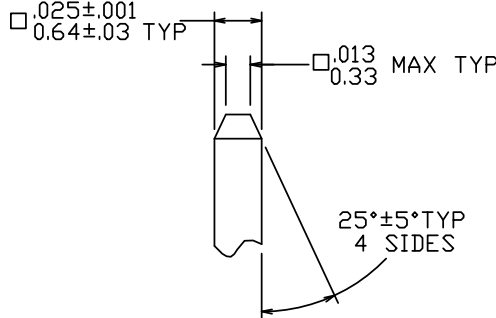


NOTE 6

END VIEW

⊕ ∅ .020/.51 (M) U (M) V (S)

NOTE 4



DETAIL P
TYP BOTH ENDS

rev	ecn no	dr	date
AE	V20790	GIP	4/24/02
AF	M04-0234	MHT	12/19/04
AG	M05-0072	MHT	5/03/05
AH	M06-0269	MNR	7/17/06
AJ	M06-0346	MHT	9/04/06
AK	M08-0291	MHT	10/06/08
AL	N11-0118	J.Z	2011-04-11

www.fciconnect.com		surface 6.4 ISO 1302	tolerance std ISO 406 ISO 1101	projection INCH/MM
TOLERANCES UNLESS OTHERWISE SPECIFIED		ANGULAR	LINEAR	size A4
Dr	D. WHITING	4/19/93	0.X ±0.3	Scale 1.000
Eng	T.HANNA	4/19/93	0.XX ±0.15	ECN N11-0118
Chr	T. BREWBAKER	4/19/93	0.XXX ±0.05	Spec ref
Appr	T.HANNA	4/19/93	Product family BERGSTIK	
FCI		title BERGSTIK® II HEADER .100 SR SELF-RET		dwg no 69190
Rev. AL		catalog no CUSTOMER		sheet 1 of 4

PIN PLATING CODES:

XXXXX-1YY	30u"/0.76u MIN (SEE NOTE 12) OVER 50u"/1.27u MIN Ni
XXXXX-2YY	15u"/0.38u MIN (SEE NOTE 12) OVER 50u"/1.27u MIN Ni
XXXXX-3YY	50u"/1.27u MIN (SEE NOTE 12) OVER 50u"/1.27u MIN Ni
XXXXX-4YY	100u"/2.54u MIN Sn OVER 50u"/1.27u MIN Ni (SEE NOTE 13)
XXXXX-4YYHLF	
XXXXX-5YY	15u"/0.38u MIN (SEE NOTE 12) OVER 50u"/1.27u MIN Ni
XXXXX-6YY	30u"/0.76u MIN (SEE NOTE 12) OVER 50u"/1.27u MIN Ni
XXXXX-7YY	30u"/0.76u MIN (SEE NOTE 12) OVER 50u"/1.27u MIN Ni
XXXXX-8YY	15u"/0.38u MIN (SEE NOTE 12) OVER 50u"/1.27u MIN Ni
XXXXX-9YY	15u"/0.38u MIN (SEE NOTE 12) OVER 50u"/1.27u MIN Ni
XXXXX-0YY	30u"/0.76u MIN (SEE NOTE 12) OVER 50u"/1.27u MIN Ni

NOTES

①. PART NUMBER OPTIONS:

PIN PLATING CODES (SEE ABOVE)

HIGH TEMP. MATERIAL:

FOR HIGH-TEMPERATURE APPLICATIONS, SPECIFY AN "H" AT THE END OF THE PART NUMBER, AND PCT WILL BE SUPPLIED.

NUMBER OF POSITION:

ANY NUMBER OF POSITIONS FROM 2 THRU 36.

PACKAGING:

PACKAGED IN POLY BAGS.

EIGHT DIGIT PART NUMBERS FOLLOWED BY A "T" ARE PACKAGED IN TUBES. SEE SPECIFIC PART NUMBERS FOR AVAILABILITY.

LEAD FREE:

ADD "HLF" SUFFIX AT THE END OF PART NUMBER FOR LEAD FREE OPTION, NOT AVAILABLE FOR -5YY,-5YYH,-6YY & -6YYH.

②. BODY MATERIAL:

MANUFACTURER'S OPTION OF NYLON OR PCT, GLASS FIBER REINFORCED, FLAME RETARDENT PER UL-94V-0.

COLOR: BLACK. OR

MINERAL FILLED LCP, COLOR BLACK

FLAME RETARDENT PER UL-94V-0.

PART NUMBERS WITH "H" SUFFIX WILL WITHSTAND EXPOSURE TO 260°C PEAK TEMPERATURE FOR 20 SECONDS IN WAVE SOLDER, INFRA-RED OR VAPOR PHASE SOLDER PROCESS.

PART NUMBERS WITHOUT "H" SUFFIX WILL WITHSTAND EXPOSURE TO 260°C PEAK TEMPERATURE FOR WAVE SOLDER PROCESS.

③. PIN MATERIAL: PHOS-BRONZE.

④. MEASURED WITH PART IN RESTRAINED CONDITION.

5. TWO SIDES OF PIN TIPS NOT PLATED. TYPICAL BOTH ENDS.

⑥. 2LBS/0.9KG MIN PIN RETENTION IN EITHER DIRECTION.

⑦. ±.010/0.25 TOL APPLIES TO ALL 'G' TAILS EXCEPT INDICATED PARTS ON TABLE WHERE +.010/0.25 -.000/0.00 APPLIES.

⑧. DETAIL N DIMENSIONS APPLY TO 2 POSITION PARTS ONLY

⑨. SECTION R-R DIMENSIONS ONLY APPLY TO RETENTION. PIN POSITIONS FOR 3 POSITION PARTS AND LARGER. RETENTION PIN POSITIONS LOCATED AT MANUFACTURER'S OPTION.

10. 5LB/2.3KG MAX INSERTION FORCE AND .25LB/.1KG MIN RETENTION FORCE PER RETENTIVE PIN USING .062/1.57 THICK CIRCUIT BOARDS AND RECOMMENDED HOLE PATTERN.

⑪. THESE PRODUCTS MEETS EUROPEAN UNION DIRECTIVES AND OTHER COUNTRY REGULATION AS DESCRIBED IN GS-22-008.

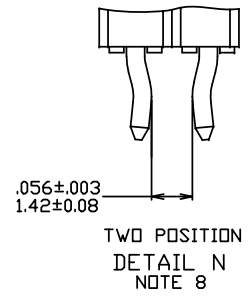
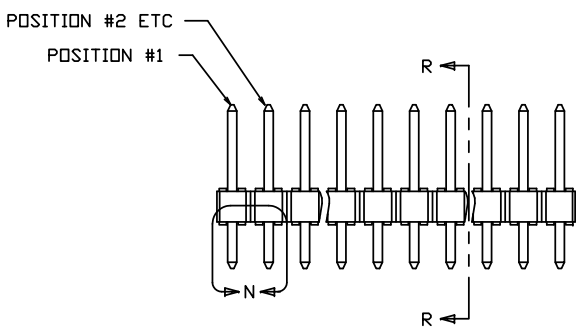
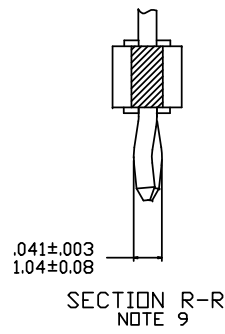
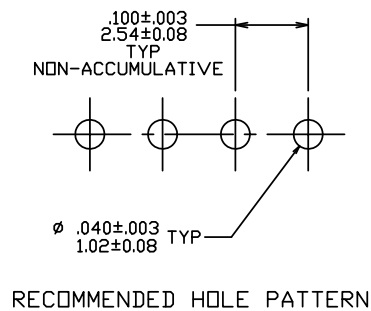
⑫. PLATING OPTIONS: PERFORMANCE PLATING WILL BE EITHER GOLD OR GXT ON POST OR TAIL, OPTIONALLY (78~295u"/2~7.5u) TIN ON TAIL.

⑬. "THIS PRODUCT HAS 100% TIN PLATING IN THE INTERFACE AND HAS NOT BEEN TESTED FOR WHISKER GROWTH IN ALL INTERCONNECT ENVIRONMENTS."



Copyright FCI.

www.fciconnect.com			surface ISO 1302 ✓	tolerance std ISO 406 ISO 1101	projection	INCH/MM			
			TOLERANCES UNLESS OTHERWISE SPECIFIED						
Dr	D. WHITING	4/19/93	ANGULAR	LINEAR	0.X	±0.3	size A4	Scale 1.000	
Eng	T.HANNA	4/19/93			0.XX	±0.15			
Chr	T. BREWBAKER	4/19/93			0.XXX	±0.05	ECN N11-0118		
Appr	T.HANNA	4/19/93	Product family BERGSTIK		Spec ref				
		title BERGSTIK® II HEADER .100 SR SELF-RET			dwg no 69190		Rev. AL		
catalog no			CUSTOMER			sheet 2 of 4			



Copyright FCI.

www.fciconnect.com			surface ISO 1302 ✓	tolerance std ISO 406 ISO 1101	projection A4	INCH/MM
			TOLERANCES UNLESS OTHERWISE SPECIFIED			
Dr	D. WHITING	4/19/93	ANGULAR	LINEAR	0.X	±0.3
Eng	T.HANNA	4/19/93			0.XX	±0.15
Chr	T. BREWBAKER	4/19/93	0°	±2°	0.XXX	±0.05
Appr	T.HANNA	4/19/93	Product family		BERGSTIK	Spec ref
FCI			title		69190	
			BERGSTIK® II HEADER		Rev. AL	
			.100 SR SELF-RET		AL	
			catalog no		CUSTOMER	
					sheet 3 of 4	

1

2

3

4

PRODUCT NUMBER	TOTAL PIN LENGTH		TAIL LENGTH		MATING LENGTH		PACKAGING	NOTE	LF OPTION
	DIM F	DIM F	DIM G	DIM G	DIM H	DIM H			
	ENGLISH	METRIC	ENGLISH	METRIC	ENGLISH	METRIC			
69190-XY	0.450	11.43	0.120	3.05	0.230	5.84	POLY BAGS/TUBES	-	NOTE 1,11 ↓
72348-XYH	0.515	13.08	0.120	3.05	0.295	7.49	POLY BAGS	-	
78229-XY	0.538	13.67	0.120	3.05	0.318	8.08	POLY BAGS/TUBES	-	
78250-XY	U N A V A I L A B L E							-	
78538-XY	0.620	15.75	0.120	3.05	0.400	10.16	POLY BAGS	-	
78594-XY	0.760	19.30	0.120	3.05	0.540	13.72	POLY BAGS	-	
79429-XY	0.695	17.65	0.120	3.05	0.475	12.07	POLY BAGS	-	
79978-XY	0.450	11.43	0.120	3.05	0.230	5.84	POLY BAGS/TUBES	7	
86505-XY	0.440	11.18	0.120	3.05	0.220	5.59	POLY BAGS	-	
87036-XY	0.830	21.08	0.120	3.05	0.610	15.49	POLY BAGS	-	
87068-XY	0.530	13.46	0.115	2.92	0.315	8.00	POLY BAGS	-	
87280-XY	1.000	25.40	0.120	3.05	0.780	19.81	POLY BAGS	-	
87452-XY	0.840	21.34	0.120	3.05	0.620	15.75	POLY BAGS	-	
87453-XY	0.990	25.15	0.120	3.05	0.770	19.56	POLY BAGS	-	
87918-XY	0.730	18.54	0.120	3.05	0.510	12.95	POLY BAGS	-	
90603-XY	0.430	10.92	0.100	2.54	0.230	5.84	POLY BAGS	-	
90610-XY	0.927	23.55	0.100	2.54	0.727	18.47	POLY BAGS	-	
94549-XYH	0.415	10.54	0.085	2.16	0.230	5.84	POLY BAGS	-	

A

B

C

D

A

B

C

D



Copyright FCI.

www.fciconnect.com			surface ISO 1302	tolerance std ISO 406 ISO 1101	projection 	INCH/MM ←→	
			TOLERANCES UNLESS OTHERWISE SPECIFIED				
Dr	D. WHITING	4/19/93	ANGULAR	LINEAR	0.X	±0.3	size A4
Eng	T.HANNA	4/19/93			0.XX	±0.15	Scale 1.000
Chr	T. BREWBAKER	4/19/93			0.XXX	±0.05	ECN N11-0118
Appr	T.HANNA	4/19/93	Product family BERGSTIK		Spec ref		
			title BERGSTIK® II HEADER .100 SR SELF-RET		dwg no 69190		Rev. AL
			catalog no		CUSTOMER		sheet 4 of 4

REV F - 2006-04-17

1

2

PDM: Rev:AL

STATUS Released 4 Printed: Apr 20, 2011