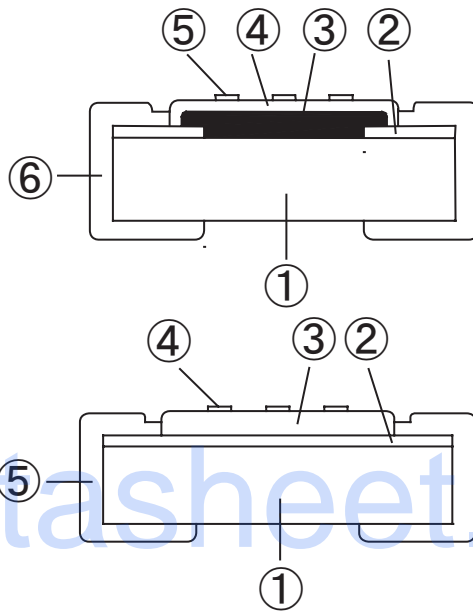


*1 Model No.	CR04 (CR1/32)	CR06 (CR1/20)	CR10 (CR1/16S)	CR16 (CR1/16)	CR20 (CR1/10)	CR32 (CR1/8)	CR35 (CR1/4)	CR50 (CR1/2)	CR64 (CR1)
Size Code inch	01005	0201	0402	0603	0805	1206	1210	2010	2512
Size Code mm	0402	0603	1005	1608	2012	3216	3225	5025	6432

\*1 ( ): Conventional Model No.

■ Construction



(0Ω Type)

Symbol	Material List
①	Alumina substrate
②	Conductor
③	Resistive film
④	Over coat
⑤	Marking *2
⑥	Side termination

Symbol	Material List
①	Alumina substrate
②	Conductor
③	Over coat
④	Marking *2
⑤	Side termination

\*2 No marking on CR04, CR06, CR10, CR16 (E-96 Series)

■ Model Designation

Conventional Model No.

CR1/16	102	J	V
①	②	③	④

Model No.

CR16	-	102	J	V
①		②	③	④

Model No. for user who requires it.

CR16	-	102	J	V	G
①		②	③	④	⑤

⑤ TCR	
Symbol	TCR (ppm/°C)
G	± 50
H	± 100
K	± 250
M	± 500

① Model No.	② Resistance
CR04(CR1/32)	3 or 4 digit
CR06(CR1/20)	(Resistance) (Marking)
CR10(CR1/16S)	0Ω → 000
CR16(CR1/16)	4.7Ω → 4R7
CR20(CR1/10)	1kΩ → 102
CR32(CR1/8)	1.02kΩ → 1021
CR35(CR1/4)	
CR50(CR1/2)	
CR64(CR1)	

③ Tolerance (%)	
Symbol	Tolerance
D	± 0.5
F	± 1.0
G	± 2.0
J	± 5.0
K	± 10.0

0Ω type is no marking

④ Packaging	
Symbol	Packaging
B	Bulk
V	Paper taping
E	Embossed taping
C	Bulk case



## Rating

*1 Model No.	Rated Wattage (%)	Tolerance (%)		Resistance Range E-24, E-96 Series Standard (%)	T.C.R. (Ω)	Max. Working Voltage (%)	Max. Overload Voltage (%)	0Ω Type				
								Rated Current (A)	Resistance (Ω)			
CR04 (CR1/32)	0.03	F	±1	10 ~ 1M	±250	15	30	0.3	Max. 50mΩ			
		G	±2	10 ~ 1M	±250							
		J	±5	10 ~ 1M	±250							
CR06 (CR1/20)	0.050	F	±1	10 ~ 1M	±200	25	50			0.5	Max. 50mΩ	
		G	±2	10 ~ 1M	±200							
		J	±5	10 ~ 10M 1 ~ 9.1	±200 ±400							
CR10 (CR1/16S)	0.063	D	±0.5	100 ~ 1M	±50	50	100			1.0		Max. 50mΩ
		D	±0.5	10 ~ 91	±100							
		F	±1	10 ~ 1M	±100							
		G	±2	10 ~ 1M	±200							
		J	±5	10 ~ 10M 1 ~ 9.1	±200 ±300							
CR16 (CR1/16)	0.100	D	±0.5	100 ~ 100k	±50	50	100	1.0	Max. 50mΩ			
		D	±0.5	100 ~ 976	±100							
		F	±1	10 ~ 1M	±100							
		G	±2	10 ~ 1M	±200							
		J	±5	1 ~ 4.3 4.7 ~ 3.3M 3.6M ~ 10M	-100 ~ ±600 ±200 ±300							
CR20 (CR1/10)	0.125	D	±0.5	100 ~ 100k	±100	150	200	1.5		Max. 50mΩ		
		F	±1	10 ~ 1M	±100							
		G	±2	10 ~ 1M	±200							
		J	±5	1 ~ 4.3 4.7 ~ 3.3M 3.6M ~ 10M	-100 ~ ±600 ±200 ±300							
		K	±10	11M ~ 22M	±300							
CR32 (CR1/8)	0.250	D	±0.5	100 ~ 100k	±100	200	400	2.0	Max. 50mΩ			
		F	±1	10 ~ 1M	±100							
		G	±2	10 ~ 1M	±200							
		J	±5	1 ~ 4.3 4.7 ~ 3.3M 3.6M ~ 10M	-100 ~ ±600 ±200 ±300							
		K	±10	11M ~ 22M	±300							
CR35 (CR1/4)	0.250	F	±1	10 ~ 1M	±100	200	400	2.0		Max. 50mΩ		
		G	±2	10 ~ 1M	±200							
		J	±5	1 ~ 4.3 4.7 ~ 3.3M 3.6M ~ 10M	-100 ~ ±600 ±200 ±300							
CR50 (CR1/2)	0.500	G	±2	10 ~ 1M	±300	200	400	2.0			Max. 50mΩ	
		J	±5	1 ~ 1M	±500							
CR64 (CR1)	1.000	J	±5	1 ~ 9.1 10 ~ 1M	±500 ±300	200	400	2.0	Max. 50mΩ			

\*1 ( ): Conventional Model No.

★ Operating temperature range CR10~CR64: 55°C ~ +155°C  
CR04, CR06: -55°C ~ +125°C

★ E-96 series resistance values are available for D class F class.

★ Please apply the rated voltage or lower.

$$\text{Rated voltage is calculated by } E = \sqrt{PR}$$

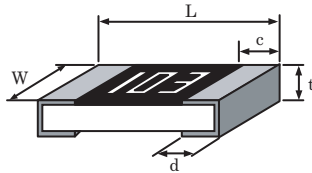
E = Rated Voltage (V)

P = Rated Power (W)

R = Resistance (Ω)

★ In case rated voltage calculation is excess of maximum working voltage, maximum or lower voltage be applied.

## Dimension

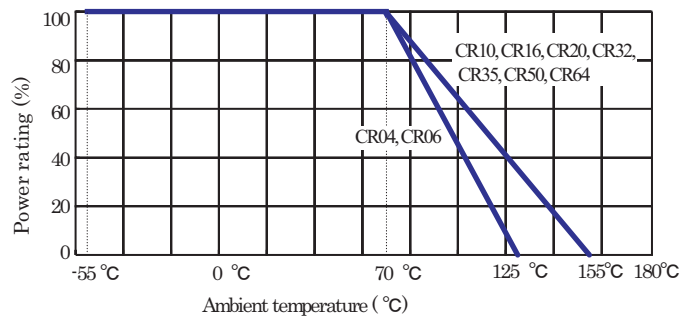


Model No. *1	L	W	c	d	t
CR04 (CR1/32)	0.40 ± 0.02	0.20 ± 0.02	0.10 ± 0.03	0.10 ± 0.03	0.12 ± 0.02
CR06 (CR1/20)	0.60 ± 0.03	0.30 ± 0.03	0.12 ± 0.05	0.15 ± 0.05	0.23 ± 0.03
CR10 (CR1/16S), LCR10 (LCR1/16S) CRS10, LCRS10	1.00 ± 0.05	0.50 ± 0.05	0.20 ± 0.10	0.25 ± 0.10	0.35 ± 0.05
CR16 (CR1/16), LCR16 (LCR1/16) FCR16 (FCR1/16), CRS16, LCRS16	1.60 ± 0.15	0.80 <sup>+0.20</sup> -0.10	0.25 ± 0.20	0.25 ± 0.20	0.50 <sup>+0.15</sup> -0.05
CR20 (CR1/10), LCR20 (LCR1/10) UCR20 (UCR1/10), FCR20 (FCR1/10) CRS20, LCRS20	2.00 <sup>+0.20</sup> -0.10	1.25 <sup>+0.20</sup> -0.10	0.40 ± 0.20	0.40 ± 0.20	0.50 <sup>+0.15</sup> -0.05
CR32 (CR1/8), LCR32 (LCR1/8) ECR32, FCR32 (FCR1/8) CRS32, LCRS32	3.20 <sup>+0.10</sup> -0.15	1.60 <sup>+0.10</sup> -0.15	0.50 ± 0.20	0.50 ± 0.20	0.55 <sup>+0.15</sup> -0.05
CR35 (CR1/4), LCR35 (LCR1/4) FCR35 (FCR1/4), CRS35, LCRS35	3.20 <sup>+0.10</sup> -0.15	2.60 <sup>+0.10</sup> -0.15	0.50 ± 0.20	0.50 ± 0.20	0.55 <sup>+0.15</sup> -0.05
CR50 (CR1/2), LCR50 (LCR1/2) ECR50, FCR50 (FCR1/2) CRS50, LCRS50	5.00 ± 0.15	2.50 ± 0.20	0.60 ± 0.25	0.60 ± 0.25	0.56 ± 0.15
CR64 (CR1) LCR64 (LCR1)	6.30 ± 0.15	3.20 ± 0.20	0.60 ± 0.25	0.60 ± 0.25	0.56 ± 0.15

\*1 ( ): Conventional Model No.

## Power rating

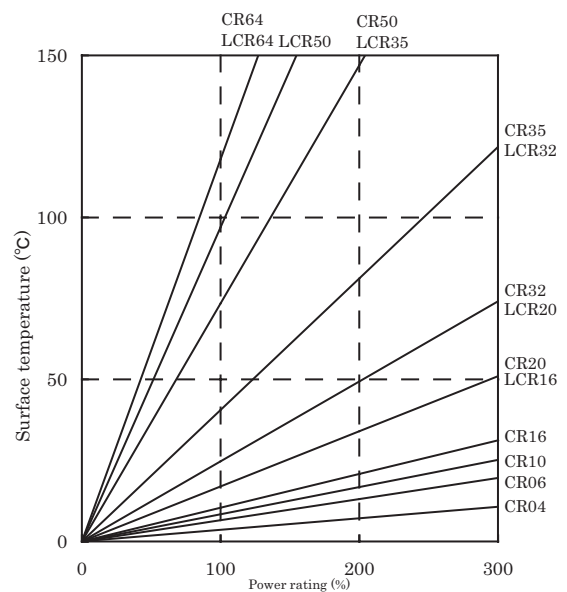
For resistors operated in ambient temperature above 70 °C, power rating must be derated in accordance with the derating curve.



## Surface temperature

Surface temperature rise is shown in this figure.

Please notice that CR50 and CR64 have high temperature rise when Loaded 100%.



## Packaging

Refer "Dimension, Packaging, etc."