

PRODUCT NUMBER
57202-XXX-XXXXL1F

PLATING
S = 0.38µm GOLD/GXT ON CONTACT AREA
3.81µm TIN LEAD ON TAIL
G = 0.76µm GOLD/GXT ON CONTACT AREA
3.81µm TIN LEAD ON TAIL
F = GOLD FLASH ON CONTACT AREA
3.81µm TIN LEAD ON TAIL

WHEN REQUIRED, ADD SUFFIX LETTER "LF" INDICATES THE PRODUCT IS ROHS COMPATIBLE SEE NOTE 7

POLARIZATION, SEE NOTE 6

PACKAGING, SEE NOTE 5

NB OF POS PER ROW : 02 TO 25

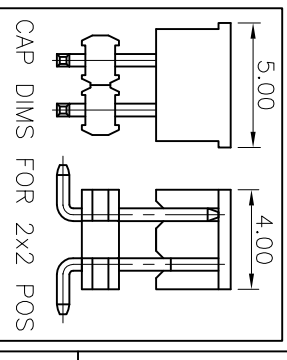
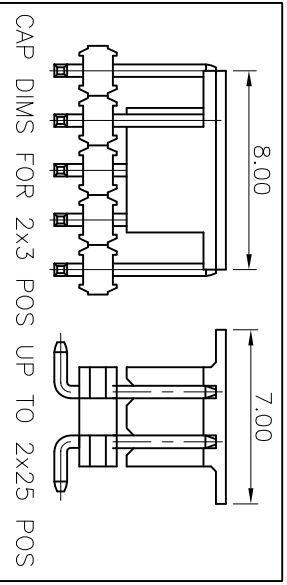
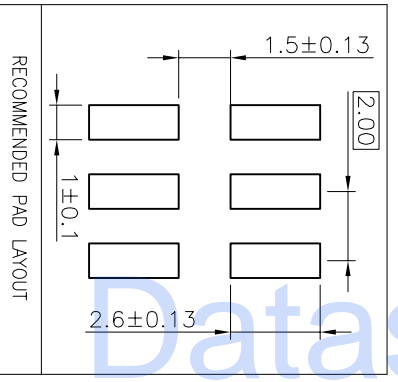
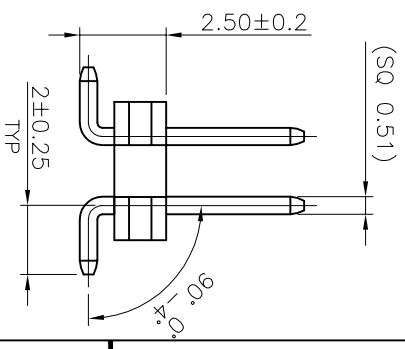
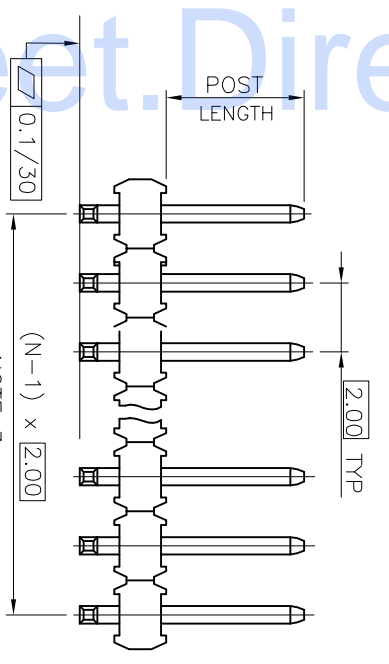
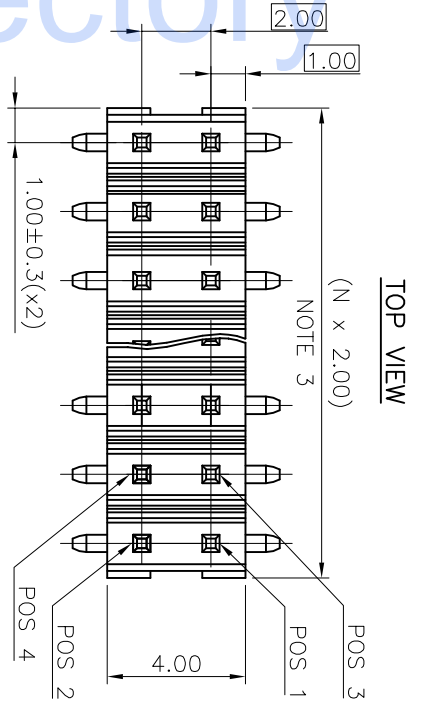
STYLE	POST LENGTH ±0.2
51	2.00
52	4.00
53	3.50

NOTES:

- MATERIAL HOUSING: HIGH TEMP. THERMOPLASTIC
UL 94V-0, COLOR BLACK
- MATERIAL TERMINAL: COPPER ALLOY
- TO DETERMINE DIMENSIONS:
N = NUMBER OF POSITIONS PER ROW.
- 7N MIN. PIN RETENTION IN EITHER DIRECTION.
- PACKAGING:
= PLASTIC BOX.
- = PLASTIC BOX WHEN POLARISATION FEATURE APPLICABLE.
U = TUBE AVAILABLE FROM 04 TO 25 POS PER ROW.
A = TAPE AND REEL WITH PICK UP CAP INSTALLED IN THE CENTER OF THE PRODUCT FOR PICK AND PLACE SEE TA 884 FOR PRODUCT AVAILABILITY.
K = TAPE AND REEL WITHOUT CAP, SEE TA884 FOR AVAILABILITY.

- FOR POLARIZATION, SPECIFY POSITION NUMBER TO OMIT PIN.
EXAMPLE : 03 = OMIT PIN POSITION 3, SEE TOP VIEW.
OMIT FROM PRODUCT NUMBER IF THIS FEATURE IS NOT APPLICABLE.
- ROHS COMPATIBLE PRODUCT SPECIFICATIONS

- PLATING:
- "LF" MEANS THE PRODUCT IS LEAD-FREE,
2µm MINIMUM MATTE TIN OVER 1.27µm
MINIMUM NICKEL UNDERPLATE.
- MANUFACTURING PROCESS COMPATIBILITY
- THE HOUSING WILL WITHSTAND EXPOSURE TO
260°C PEAK TEMPERATURE FOR 30 SECONDS
IN A CONVECTION, INFRA-RED OR VAPOR
PHASE REFLOW OVEN.
- LABELLING:
- MEETS PACKAGING SPECS AS PER GS-14-9220
- LEGAL STATEMENT : SEE GS-22-008



mat'l. code	surface	tolerance	projection	product family
ISO 1302	ISO 406	ISO 101		MINITEK
ISO 1302	ISO 406	ISO 101		MINITEK

itr	ecn no	dr	date	surface	tolerance	projection
L	F09-0087	JCO	09.09.04	ISO 1302	ISO 406	ISO 101
F	F04-0378	LMU	04.11.26	ISO 1302	ISO 406	ISO 101
G	F05-0124	LMU	05.02.07	ISO 1302	ISO 406	ISO 101
H	F06-0210	LMU	06.07.04	ISO 1302	ISO 406	ISO 101
J	F06-0327	LMU	07.01.03	ISO 1302	ISO 406	ISO 101
K	F08-0145	EIA	17.04.08	ISO 1302	ISO 406	ISO 101

sheet	revision	sheet	revision
1		1	

title	UNSH HEADER
dwg no	57202
sheet 1 of 1	size A3
product family	CUSTOMER Drawing