

PRODUCT NUMBER
57202-XXX-XXXXL1F

PLATING
S = 0.38µm GOLD/GXT ON CONTACT AREA
3.81µm TIN LEAD ON TAIL
G = 0.76µm GOLD/GXT ON CONTACT AREA
3.81µm TIN LEAD ON TAIL
F = GOLD FLASH ON CONTACT AREA
3.81µm TIN LEAD ON TAIL

WHEN REQUIRED, ADD SUFFIX LETTER "LF" INDICATES THE PRODUCT IS ROHS COMPATIBLE SEE NOTE 7

POLARIZATION, SEE NOTE 6

PACKAGING, SEE NOTE 5

NB OF POS PER ROW : 02 TO 25

STYLE	POST LENGTH ±0.2
51	2.00
52	4.00
53	3.50

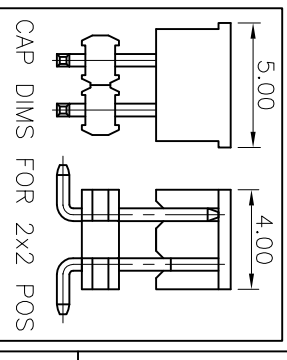
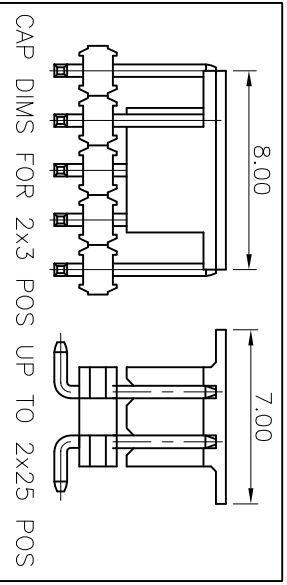
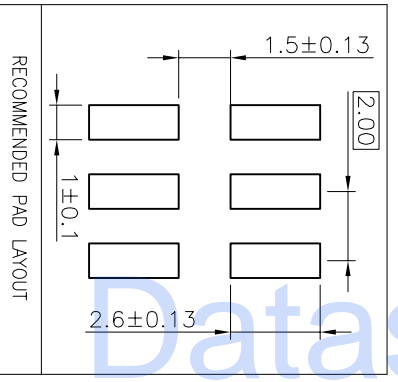
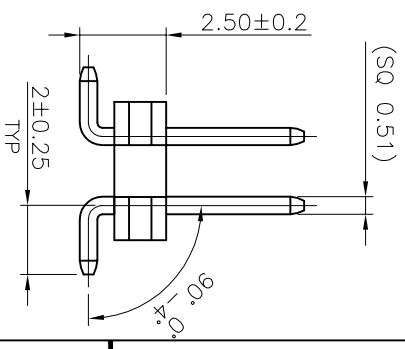
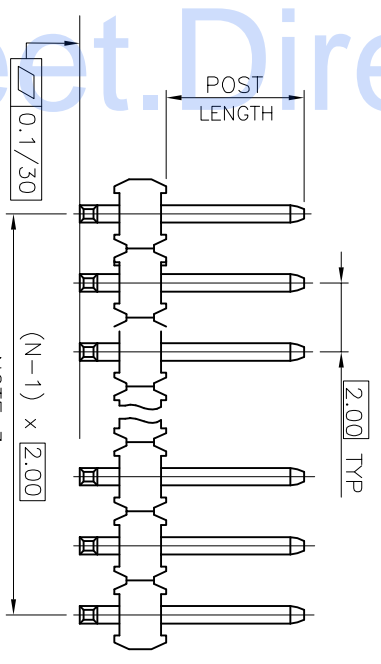
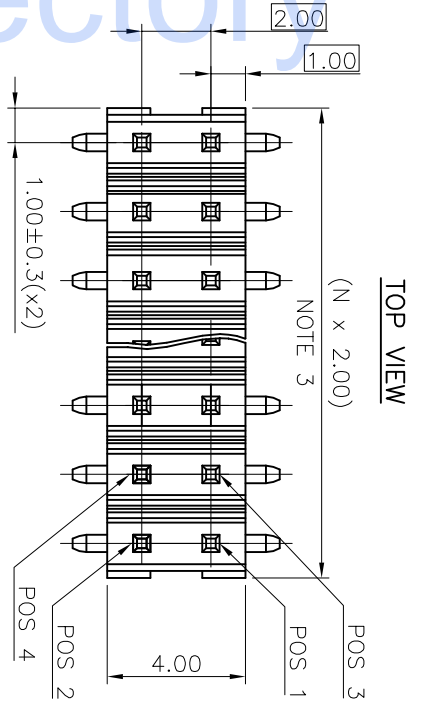
NOTES:

- MATERIAL HOUSING: HIGH TEMP. THERMOPLASTIC
UL 94V-0, COLOR BLACK
- MATERIAL TERMINAL: COPPER ALLOY
- TO DETERMINE DIMENSIONS:
N = NUMBER OF POSITIONS PER ROW.
- 7N MIN. PIN RETENTION IN EITHER DIRECTION.
- PACKAGING:
= PLASTIC BOX.
- = PLASTIC BOX WHEN POLARISATION FEATURE APPLICABLE.
U = TUBE AVAILABLE FROM 04 TO 25 POS PER ROW.
A = TAPE AND REEL WITH PICK UP CAP INSTALLED IN THE CENTER OF THE PRODUCT FOR PICK AND PLACE SEE TA 884 FOR PRODUCT AVAILABILITY.
K = TAPE AND REEL WITHOUT CAP, SEE TA884 FOR AVAILABILITY.

6. FOR POLARIZATION, SPECIFY POSITION NUMBER TO OMIT PIN.
EXAMPLE : 03 = OMIT PIN POSITION 3, SEE TOP VIEW.
OMIT FROM PRODUCT NUMBER IF THIS FEATURE IS NOT APPLICABLE.

7. ROHS COMPATIBLE PRODUCT SPECIFICATIONS

- a - PLATING:
- "LF" MEANS THE PRODUCT IS LEAD-FREE,
2µm MINIMUM MATTE TIN OVER 1.27µm
MINIMUM NICKEL UNDERPLATE.
- b - MANUFACTURING PROCESS COMPATIBILITY
- THE HOUSING WILL WITHSTAND EXPOSURE TO
260°C PEAK TEMPERATURE FOR 30 SECONDS
IN A CONVECTION, INFRA-RED OR VAPOR
PHASE REFLOW OVEN.
- c - LABELLING:
- MEETS PACKAGING SPECS AS PER GS-14-9220
- d - LEGAL STATEMENT : SEE GS-22-008



mat'l. code	surface	tolerance	projection
ISO 1302	ISO 406	ISO 101	
ISO 1302	ISO 406	ISO 101	

title	product family
UNSH HEADER	MINITEK
2.00 mm VERTICAL SMT	
57202	CUSTOMER Drawing
sheet 1 of 1	
A3	