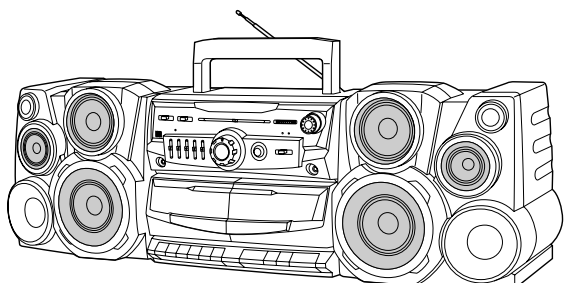


SHARP SERVICE MANUAL

No. S4223WF2000WS



PORTABLE STEREO COMPONENT SYSTEM

MODEL WF-2000W(S)

PORTABLE STEREO COMPONENT SYSTEM

MODEL WF-2000W(BK)

- In the interests of user-safety the set should be restored to its original condition and only parts identical to those specified be used.

Datasheet.Directory

CONTENTS

	Page
SPECIFICATIONS	2
VOLTAGE SELECTION	2
AC POWER SUPPLY CORD AND AC PLUG ADAPTOR	2
NAMES OF PARTS	3
DISASSEMBLY	4
REMOVING AND REINSTALLING THE MAIN PARTS	5
ADJUSTMENT	6
FITTING OF DIAL POINTER	8
NOTES ON SCHEMATIC DIAGRAM	8
TYPES OF TRANSISTOR AND LED	9
VOLTAGE	9
SCHEMATIC DIAGRAM / WIRING SIDE OF P.W.BOARD	10
PARTS GUIDE / EXPLODED VIEW	

WF-2000W

FOR A COMPLETE DESCRIPTION OF THE OPERATION OF THIS UNIT, PLEASE REFER TO THE OPERATION MANUAL.

SPECIFICATIONS

● General

Power source:	AC 110-127 V/220-240 V, 50/60 Hz DC 15 V ["D" size (UM/SUM-1, R20 or HP-2) battery × 10]
Power consumption:	31 W
Output power:	MPO (Max.); 50 W (25 W + 25 W) (AC operation) RMS; 25 W (12.5 W + 12.5 W) (DC operation, 10 % T.H.D.)
Input terminal:	Mixing microphone; 1mV/600 ohms CD/LINE; 350 mV/47 kohms
Output terminal:	Headphones; 16-50 ohms (recommended; 32 ohms)
Dimensions:	Width; 282 mm (11-1/8") Height; 217 mm (8-9/16") Depth; 207 mm (8-1/8")
Weight:	3.5 kg (7.7 lbs.) without batteries

● Radio section

Frequency range:	FM; 88 - 108 MHz SW1; 2.3 - 7.3 MHz SW2; 7.3 - 22 MHz MW; 526.5 - 1,606.5 kHz
-------------------------	--

● Tape recorder section

Frequency response:	60 - 12,000 Hz (Normal tape)
Signal/noise ratio:	40 dB (TAPE 1, recording/playback) 50 dB (TAPE 2, playback)
Wow and flutter:	0.3 % (WRMS)
Motor:	DC 9 V electric governor
Bias system:	AC bias
Erase system:	Magnet erase

● Speaker section

Speakers:	9 cm (3-9/16") woofer × 1 7.5 cm (3") woofer × 1 5 cm (2") tweeter × 1 Super tweeter × 1
Maximum input power:	25 W
Rated input power:	12.5 W
Impedance:	8 ohms
Dimensions:	Width; 235 mm (9-1/4") Height; 235 mm (9-1/4") Depth; 192 mm (7-9/16")
Weight:	2.0 kg (4.4 lbs.)/each

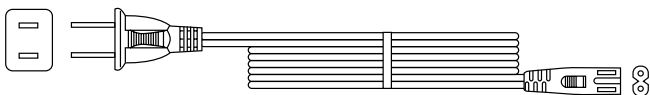
Specifications for this model are subject to change without prior notice.

VOLTAGE SELECTION

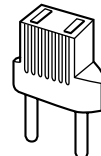
Before operating the unit on mains, check the preset voltage. If the voltage is different from your local voltage, adjust the voltage as follows. Slide the selector with a screwdriver to the appropriate voltage number. (AC 110 - 127 V or AC 220 - 240 V).

AC POWER SUPPLY CORD AND AC PLUG ADAPTOR

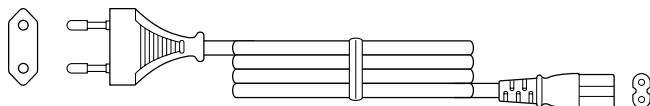
QACCA0004AW00



QPLGA0003AWZZ



QACCE0007AW00

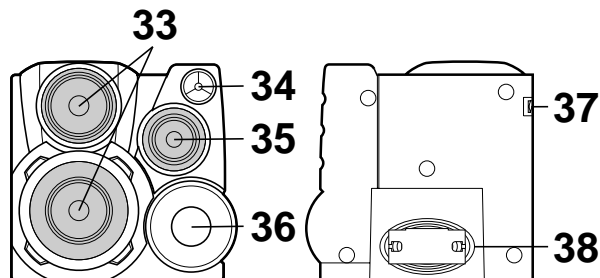
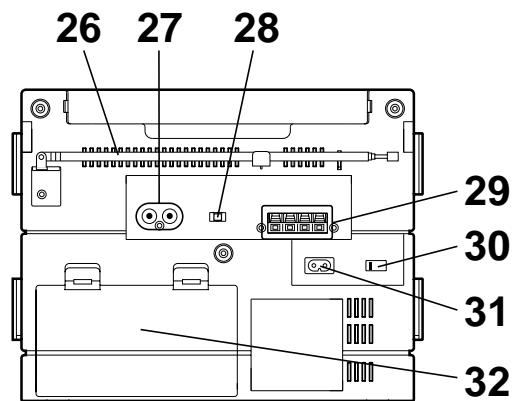
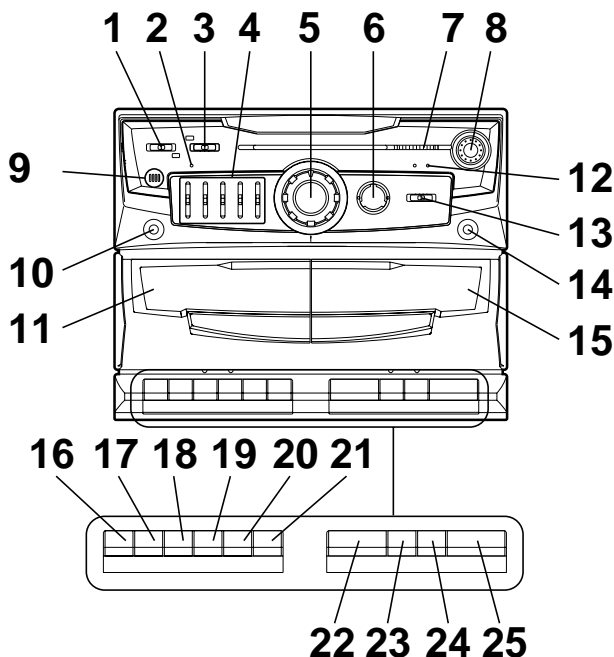


QPLGA0004AWZZ



NAMES OF PARTS

1. Function Selector Switch
2. Power Indicator
3. Dubbing Speed/Built-in Microphone/FM Mode Switch
4. Graphic Equalizer Controls
5. Volume Control
6. Extra Bass Switch (With Indicator)
7. Fine Tuning Control
8. Tuning Control
9. Built-in Microphone
10. Headphone Socket
11. (TAPE 1) Cassette Compartment
12. FM Stereo Indicator
13. Band Selector Switch
14. Mixing Microphone Socket
15. (TAPE 2) Cassette Compartment
16. (TAPE 1) Record Button
17. (TAPE 1) Play Button
18. (TAPE 1) Rewind Button
19. (TAPE 1) Fast Forward Button
20. (TAPE 1) Stop/Eject Button
21. (TAPE 1) Pause Button
22. (TAPE 2) Play Button
23. (TAPE 2) Rewind Button
24. (TAPE 2) Fast Forward Button
25. (TAPE 2) Stop/Eject Button
26. FM/SW Telescopic Rod Aerial
27. CD/Line Input Sockets
28. Beat Cancel Switch
29. Speaker Terminals
30. AC Voltage Selector
31. AC Power Input Socket
32. Battery Compartment
33. Woofer
34. Super Tweeter
35. Tweeter
36. Bass Reflex Duct
37. Speaker Release Lever
38. Speaker Wire



DISASSEMBLY

Caution on Disassembly

Follow the below-mentioned notes when disassembling the unit and reassembling it, to keep it safe and ensure excellent performance:

1. Take cassette tape out of the unit.
2. Be sure to remove the power supply plug from the wall outlet before starting to disassemble the unit and remove the batteries from the unit.
3. Take off nylon bands or wire holders where they need to be removed when disassembling the unit. After servicing the unit, be sure to rearrange the leads where they were before disassembling.
4. Take sufficient care on static electricity of integrated circuits and other circuits when servicing.

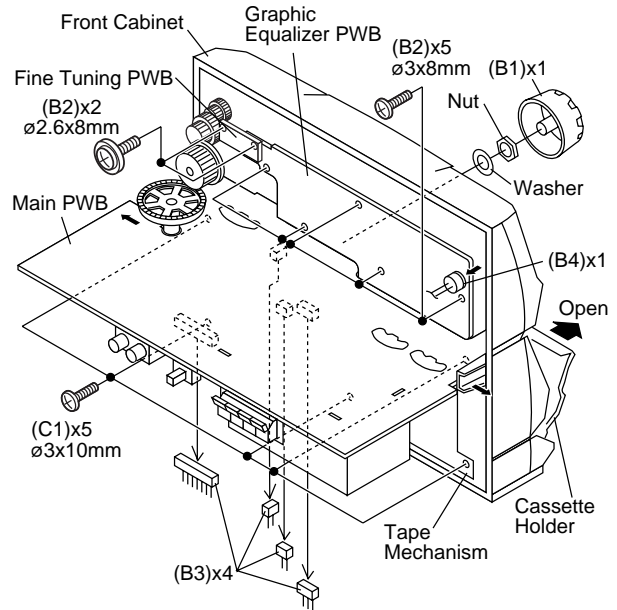


Figure 4-2

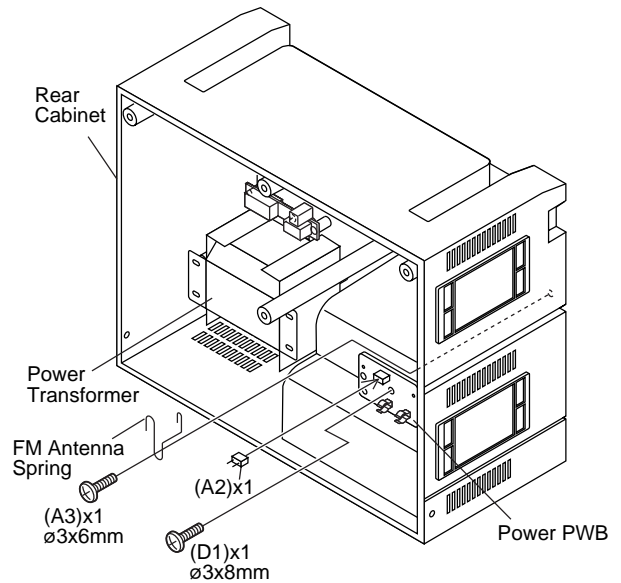


Figure 4-3

MAIN UNIT

STEP	REMOVAL	PROCEDURE	FIGURE
1	Front Cabinet/ Rear Cabinet	1. Screw (A1) x9 2. Socket (A2) x1 3. Screw (A3) x1	4-1 4-3
2	Main PWB/ Graphic Equalizer PWB/Fine Tuning PWB	1. Knob (B1) x1 2. Screw (B2) x7 3. Socket (B3) x4 4. Mic (B4) x1	4-2
3	Tape Mechanism	1. Open the cassette holder. 2. Screw (C1) x5	4-2
4	Power PWB	1. Screw (D1) x1	4-3

SPEAKER UNIT

STEP	REMOVAL	PROCEDURE	FIGURE
1	Woofers	1. Screw (A1) x5 2. Front Panel (A2) x1 3. Screw (A3) x8	4-4
2	Tweeter	1. Screw (B1) x2	4-4

MAIN UNIT

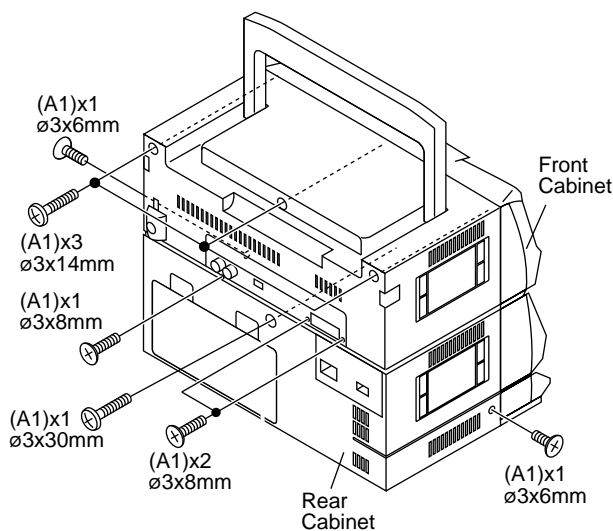


Figure 4-1

SPEAKER UNIT

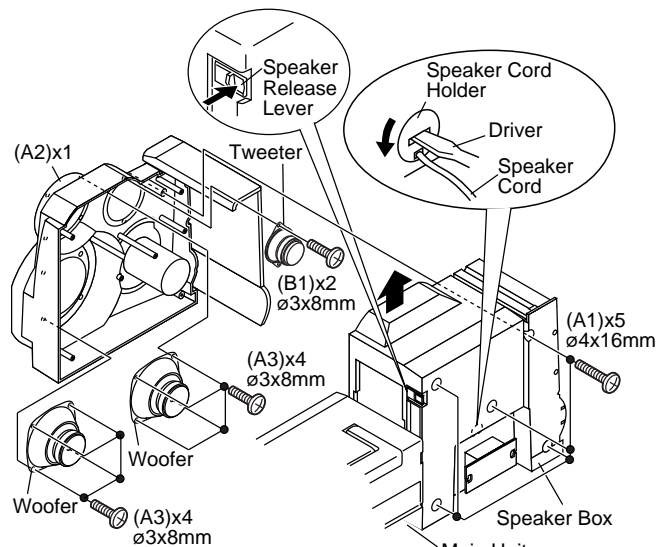


Figure 4-4

REMOVING AND REINSTALLING THE MAIN PARTS

TAPE MECHANISM SECTION

Perform steps 1, 2 and 3 of the disassembly method to remove the tape mechanism. (See page 4.)

How to remove the record/playback and erase heads (TAPE 1) (See Fig. 5-1)

1. When you remove the screws (A1) x 2 pcs., the recording/playback head can be removed.
2. Move the hooks (A2) x 2 pcs., toward the center position as shown in Fig. 5-1 and then lift the erase head.

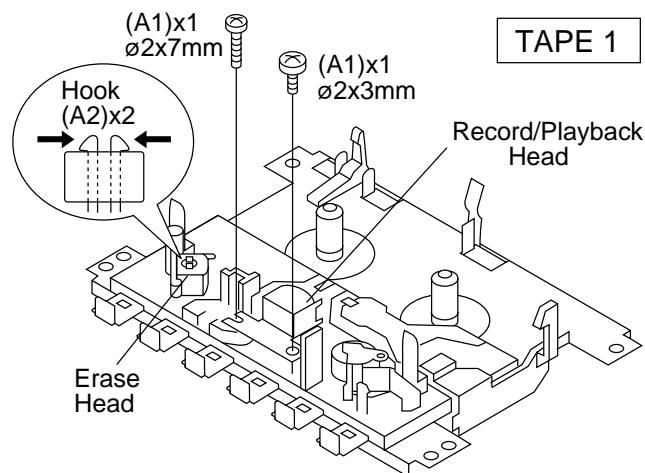


Figure 5-1

How to remove the playback head (TAPE 2) (See Fig. 5-2)

1. When you remove the screws (B1) x 2 pcs., the playback head can be removed.

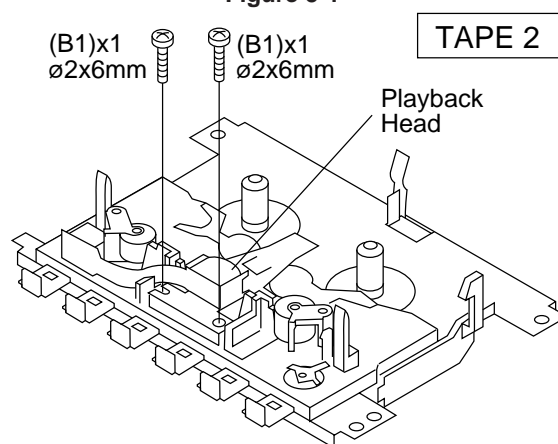


Figure 5-2

How to remove the pinch roller (TAPE 1/2) (See Fig. 5-3)

1. Carefully bend the pinch roller pawl in the direction of the arrow <A>, and remove the pinch roller (C1) x 1 pc. and (C2) x 1 pc., in the direction of the arrow .

Note:

When installing the pinch roller, pay attention to the spring mounting position.

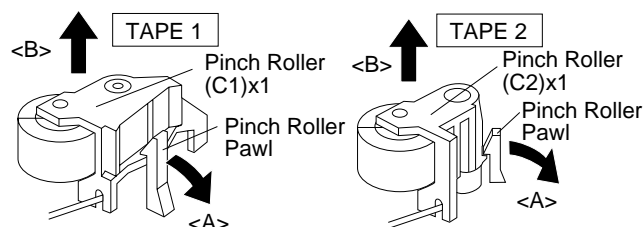


Figure 5-3

How to remove the motor (See Fig. 5-4)

1. Remove the belt.
2. Remove the screws (D1) x 4 pcs., to remove the motor bracket.
3. Remove the screws (D2) x 3 pcs., to remove the motor.

How to remove the belt (TAPE 1) (See Fig. 5-5)

1. Remove the main belt (F1) x 1 pc., from the motor side.
2. Remove the FF/REW belt (F2) x 1 pc.

How to remove the belt (TAPE 2) (See Fig. 5-5)

1. Remove the main belt (E1) x 1 pc., from the motor side.
2. Remove the FF/REW belt (E2) x 1 pc.

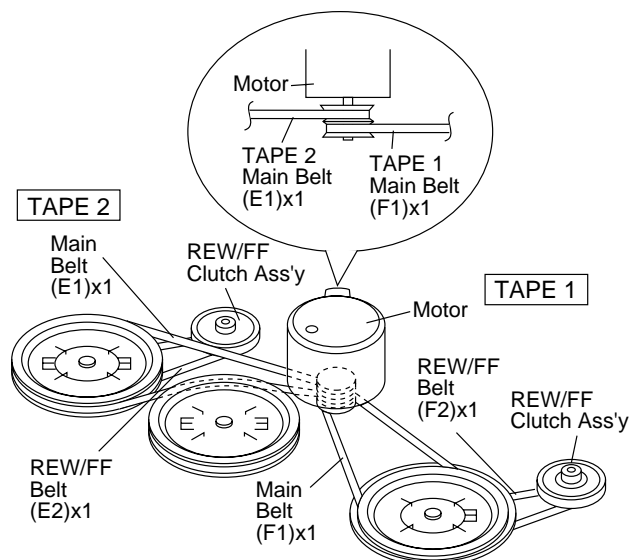


Figure 5-5

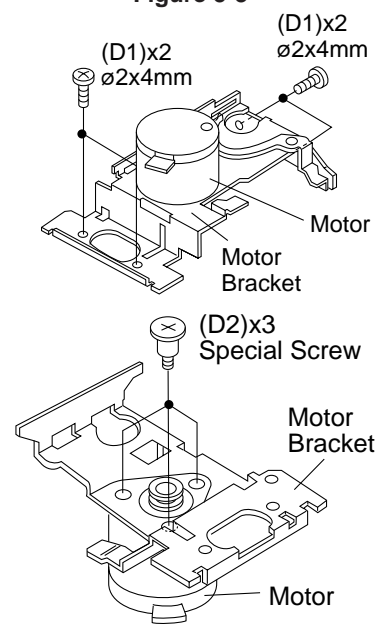


Figure 5-4

ADJUSTMENT

MECHANISM SECTION

• **Driving Force Check**

Torque Meter	Specified Value
Play: TW-2412	Tape 1: Over 60 g Tape 2: Over 50 g

• **Torque Check**

Torque Meter	Specified Value	
	Tape 1	Tape 2
Play: TW-2111	30 to 70 g.cm	27 to 60 g.cm
Fast Forward: TW-2231	Over 55 g.cm	55 to 120 g.cm
Rewind: TW-2231	Over 55 g.cm	55 to 120 g.cm

• **Head Azimuth**

Test Tape	Instrument Connection
MTT-114	Headphones Socket (Load resistance: 32 ohms)

• **Tape Speed (Normal only)**

Test Tape	Adjustment Point	Specified Value	Instrument Connection
MTT-111	Tape 1, Tape 2: VR501	3,000 ± 60 Hz	Headphones Socket (Load resistance: 32 ohms)

DECK SECTION

• **Bias Oscillation**

Adjustment Point	Specified value	Instrument Connection
T201	100 kHz + 4 kHz	Pin 5 of CON202

• **Beat Cancel Switch: A**

	Specified Value
Beat Cancel	A: 100 ± 4 kHz B: 94 ± 4 kHz C: 104 ± 4 kHz

• **Playback Amplifier Sensitivity Check**

Test tape	Specified value	Instrument Connection
MTT-118	2.5 V ± 3 dB	Speaker Terminal (Load resistance: 8 ohms)

TUNER SECTION

fL: Low-range frequency
fH: High-range frequency

• **FM IF/RF**

Test Stage	Specified Value/ Adjusting Point	Instrument Connection
FM IF	T108	Input: FM Antenna Output: Pin 9 of IC102
FM Detection	T106	
FM Band Coverage	fL: L101 fH: TC1	Input: Antenna Output: Headphones Socket (Load resistance: 32 ohms)
FM Tracking	fL (88.0 MHz): L102 fH (108 MHz): TC2	

• **AM IF/RF**

Test Stage	Specified Value/ Adjusting Point	Instrument Connection
AM IF	T107	Input: Antenna Output: Pin 9 of IC102
MW Band Coverage	fL: T103 fH: TC3	Input: Antenna Output: Headphones Socket (Load resistance 32 ohms)
MW Tracking	fL (600 kHz): L103 fH (1,400 kHz): TC4	
SW1 Band Coverage	fL (2.3 MHz): T104 fH (7.3 MHz): CT102	
SW1 Tracking	fL (2.6 MHz): T101 fH (6 MHz): CT104	
SW2 Band Coverage	fL (7.3 MHz): T105 fH (22 MHz): CT101	
SW2 Tracking	fL (8.5 MHz): T102 fH (19 MHz): CT103	

• **VCO Frequency**

Adjustment Point	Specified value	Instrument Connection
VR102	76 kHz ± 200 Hz	Pin 13, Pin 21 and ground of IC102

Note:

After preparing the test circuit shown in Fig. 6, connect the Pin 13, Pin 21 and ground of the IC102 with the test circuit, and measure the value.

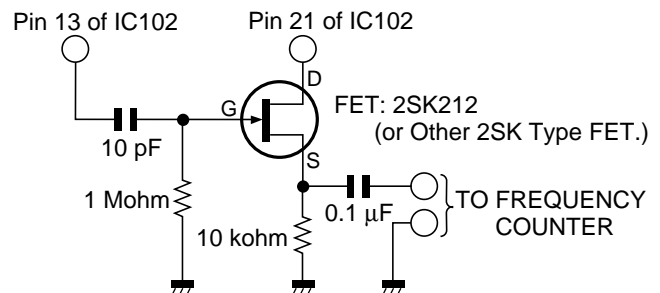


Figure 6 VCO FREQUENCY TEST CIRCUIT

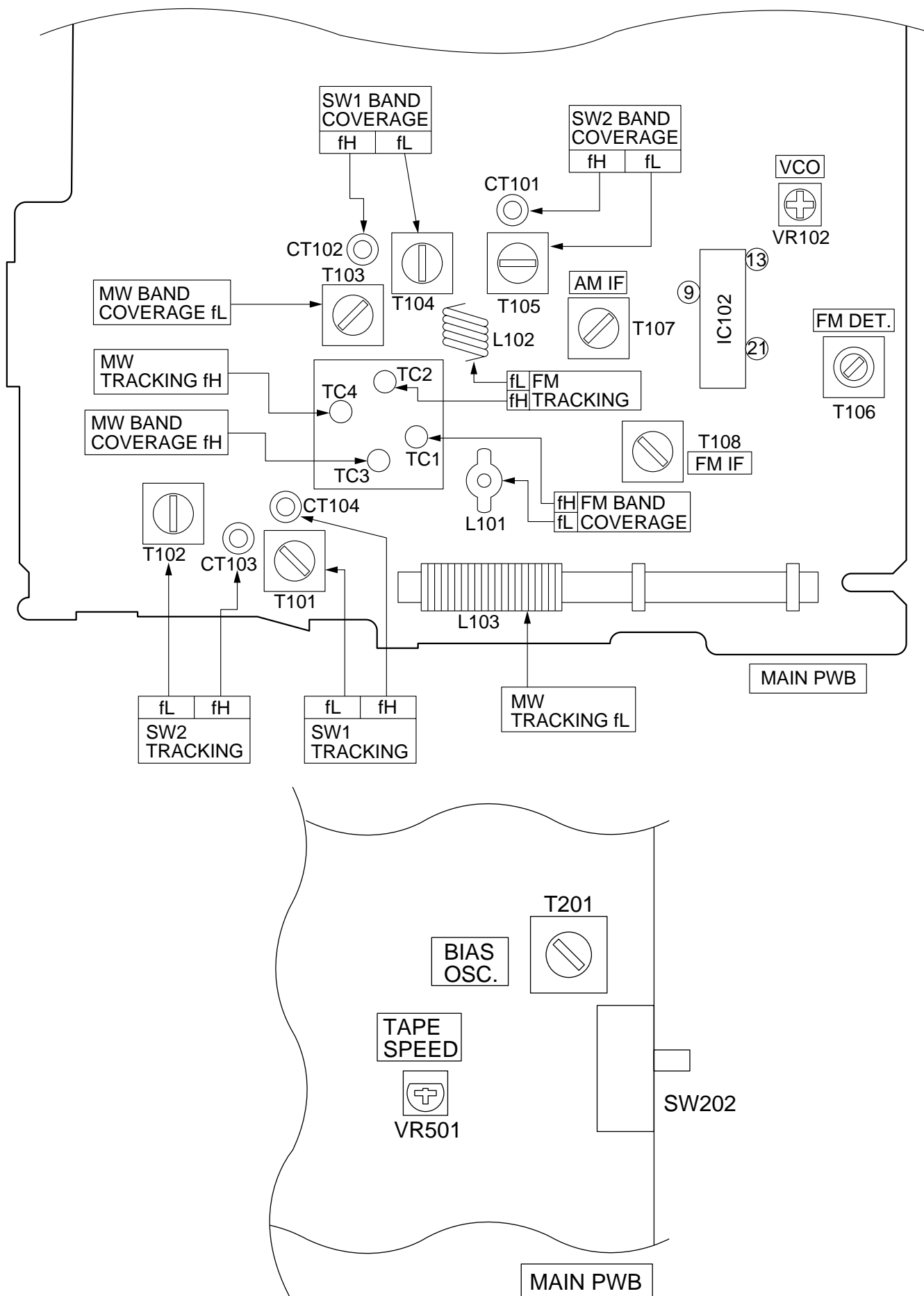


Figure 7 ADJUSTMENT POINTS

FITTING OF DIAL POINTER

1. Remove the Main PWB, the Graphic Equalizer PWB and the Fine Tuning PWB. (See Figure 4-2 in the "Disassembly" on page 4.)
2. Remove the dial pointer guide and PWB.
3. Insert the dial pointer from (A), lead it under (B), hang it on the tuner gear and then pass it through (C).
4. Replace the Main PWB, the Graphic Equalizer PWB and the Fine Tuning PWB.
5. Rotate the tuning knob in the arrow direction until it stops. (Set the tuner variable capacitor to "0" point (F-LOW state).)
6. Adjust the dial pointer so that its stopper becomes the Figure 8-2 position. (Adjust the engagement of the pointer gear and the tuner gear to get the minimum space between the PWB and the stopper.) This position is the "0" point.
7. Screw up the PWB and the dial pointer guide.

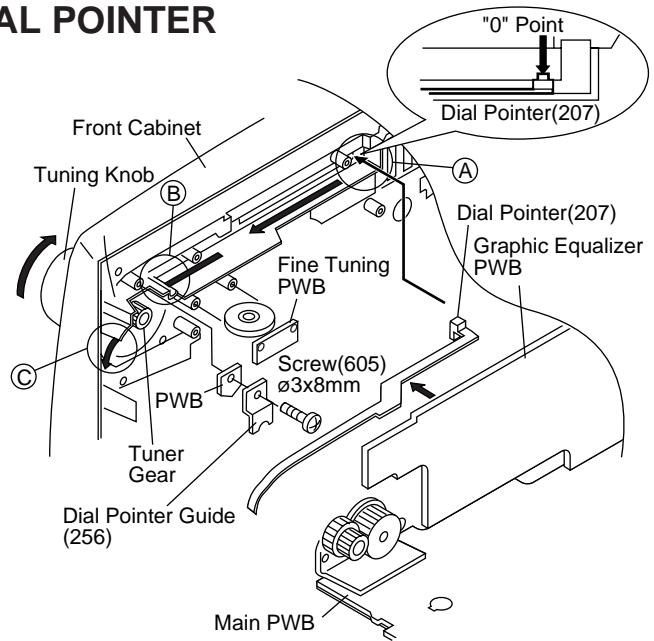


Figure 8-1

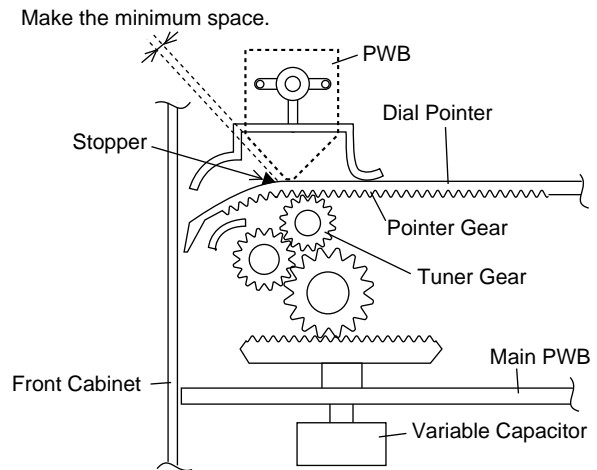


Figure 8-2

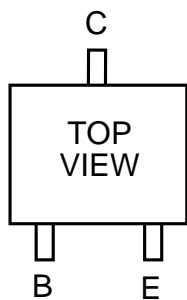
NOTES ON SCHEMATIC DIAGRAM

- Resistor:
To differentiate the units of resistors, The symbol as K and M are used: the symbol K means 1000 ohm and the symbol M means 1000 kohm and the resistor without any symbol is an ohm resistor. The resistor designated "Fusible" is a fuse type resistor.
- Capacitor:
To indicate the unit of capacitor, a symbol P is used: this symbol P means pico-farad and the unit of the capacitor without such a symbol is microfarad. As to electrolytic capacitor, the expression "capacitance/withstand voltage" is used.
(CH),(RH),(UJ): Temperature compensation
(ML): Mylar type
(S): Styrol type
- The indicated voltage in each section is the one measured by Digital Multimeter between such a section and the chassis with no signal given.
- Schematic diagram and Wiring Side of P.W. Board for this model are subject to change for improvement without prior notice.

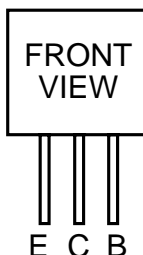
- Parts marked with " ⚠ " ([]) are important for maintaining the safety of the set. Be sure to replace these parts with specified ones for maintaining the safety and performance of the set.

REF. NO.	DESCRIPTION	POSITION
SW2	TAPE 1 PLAY	ON—OFF
SW3	TAPE 1 FF/REW	ON—OFF
SW4	TAPE 1 REC	ON—OFF
SW5	TAPE 2 PLAY	ON—OFF
SW6	TAPE 2 FF/REW	ON—OFF
SW101	BAND SELECTOR	SW2—SW1—MW—FM
SW202	BEAT CANCEL	A—B
SW203	DUBBING SPEED/MIC/ FM MODE	HIGH—NORMAL—MIC/ FM STEREO—FM MONO
SW401	X-BASS	ON—OFF
SW501	FUNCTION SELECTOR	CD/LINE—RADIO— TAPE/STAND-BY—ON
SW601	VOLTAGE SELECTOR	110-127 V—220-240 V

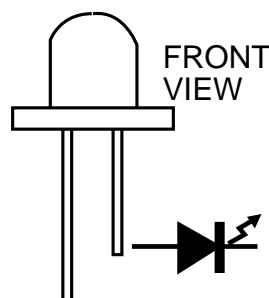
TYPES OF TRANSISTOR AND LED



2SC2412 KR
KTC3875 GR



2SC945 AP
3DA8050
SS8550
SS8050



L01-224HD
L-474CGDK

VOLATGE

IC102	
PIN NO.	VOLTAGE
1	1.59 V
2	1.6 V
3	6.15 V
4	0.19 V
5	1.6 V
6	0 V
7	6.4 V
8	0 V
9	2.3 V
10	2.3 V
11	5.4 V
12	0.9 V
13	1.1 V
14	2.1 V
15	1 V
16	1.7 V
17	1.56 V
18	1.58 V
19	0.43 V
20	6.1 V
21	6.1 V
22	0.53 V
23	1.6 V
24	1.41 V

IC101	
PIN NO.	VOLTAGE
1	0.98 V
2	1.7 V
3	6.12 V
4	0 V
5	0 V
6	6.15 V
7	1.6 V
8	5.46 V
9	6.1 V

IC202	
PIN NO.	VOLTAGE
1	6.3 V
2	1.6 V
3	1.6 V
4	0 V
5	3.4 V
6	3.45 V
7	3.5 V
8	6.8 V

IC201	
PIN NO.	VOLTAGE
1	0 V
2	0 V
3	1.28 V
4	1.28 V
5	1.37 V
6	1.32 V
7	0 V
8	0 V
9	1.83 V
10	1.28 V
11	0 V
12	0 V
13	0.85 V
14	0 V
15	1.28 V
16	1.83 V
17	1.45 V
18	6.6 V
19	4.6 V
20	1.37 V
21	1.28 V
22	1.28 V
23	0 V
24	0 V

IC301	
PIN NO.	VOLTAGE
1	5.5 V
2	5.5 V
3	6.1 V
4	6.1 V
5	5.5 V
6	5.5 V
7	6.1 V
8	6.1 V
9	5.5 V
10	5.5 V
11	6.1 V
12	6.1 V
13	5.5 V
14	5.5 V
15	6.1 V
16	6.1 V
17	4.1 V
18	2.4 V
19	2.4 V
20	4.1 V
21	3 V
22	3 V
23	6.5 V
24	0 V

IC402	
PIN NO.	VOLTAGE
1	14.4 V
2	0 V
3	0 V
4	0 V
5	4.53 V
6	0 V
7	15 V
8	15 V
9	6.86 V
10	0 V
11	6.86 V
12	6.85 V
13	0 V
14	6.85 V

IC403	
PIN NO.	VOLTAGE
1	15 V
2	0 V
3	7.99 V

IC404	
PIN NO.	VOLTAGE
1	15 V
2	0 V
3	8.99 V

Q201	
PIN NO.	VOLTAGE
B	0.7 V
C	0 V
E	0 V

Q202	
PIN NO.	VOLTAGE
B	0.7 V
C	0 V
E	0 V

Q203	
PIN NO.	VOLTAGE
B	0.7 V
C	0 V
E	0 V

Q204	
PIN NO.	VOLTAGE
B	0.7 V
C	0 V
E	0 V

Q205	
PIN NO.	VOLTAGE
B	0.6 V
C	4.3 V
E	0.2 V

Q206	
PIN NO.	VOLTAGE
B	0.7 V
C	0 V
E	0 V

Q208	
PIN NO.	VOLTAGE
B	0 V
C	0 V
E	0 V

Q209	
PIN NO.	VOLTAGE
B	0.93 V
C	2.25 V
E	0.31 V

Q210	
PIN NO.	VOLTAGE
B	0.93 V
C	2.25 V
E	0.31 V

Q212	
PIN NO.	VOLTAGE
B	0.7 V
C	0 V
E	0 V

Q213	
PIN NO.	VOLTAGE
B	5 V
C	4.3 V
E	5 V

Q218	
PIN NO.	VOLTAGE
B	0.7 V
C	0 V
E	0 V

Q219	
PIN NO.	VOLTAGE
B	0.7 V
C	0 V
E	0 V

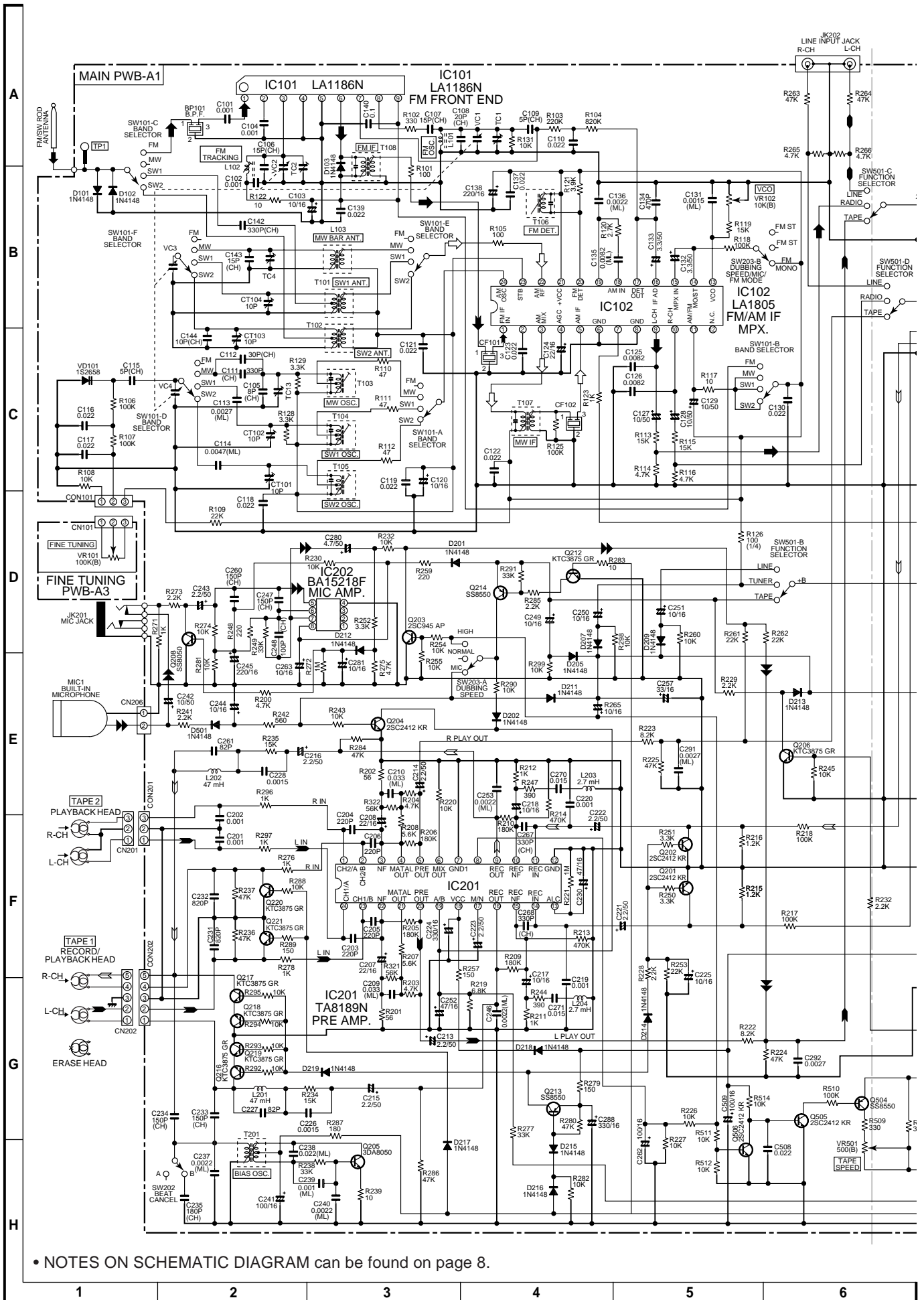
Q220	
PIN NO.	VOLTAGE
B	0.7 V
C	0 V
E	0 V

Q221	
PIN NO.	VOLTAGE
B	0.7 V
C	0 V
E	0 V

Q504	
PIN NO.	VOLTAGE
B	8 V
C	7.5 V
E	5.85 V

Q505	
PIN NO.	VOLTAGE
B	0 V
C	7.42 V
E	0 V

Q506	
PIN NO.	VOLTAGE
B	0.69 V
C	0 V
E	0 V



• NOTES ON SCHEMATIC DIAGRAM can be found on page 8.

Figure 10 SCHEMATIC DIAGRAM (1/2)

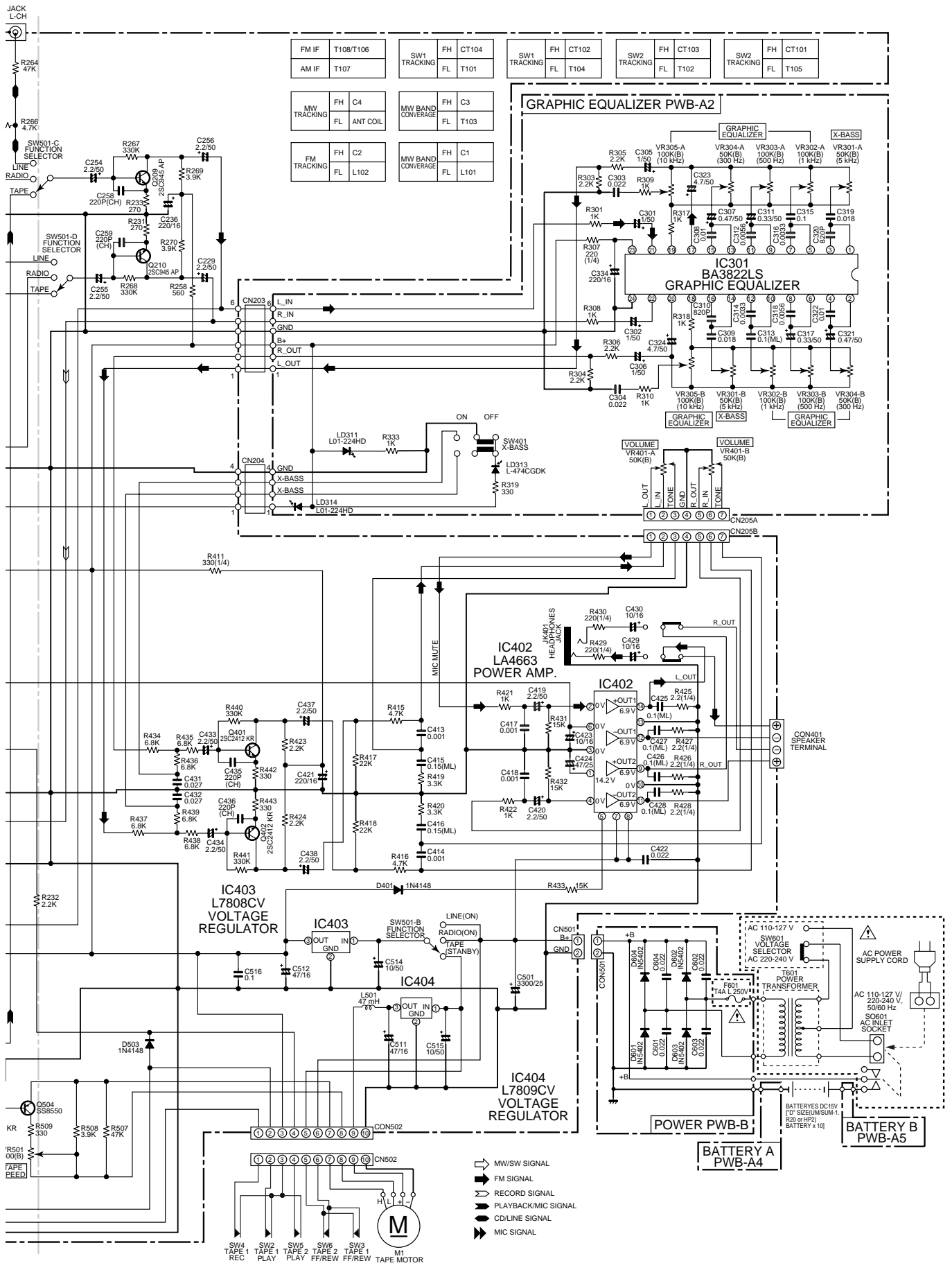


Figure 11 SCHEMATIC DIAGRAM (2/2)

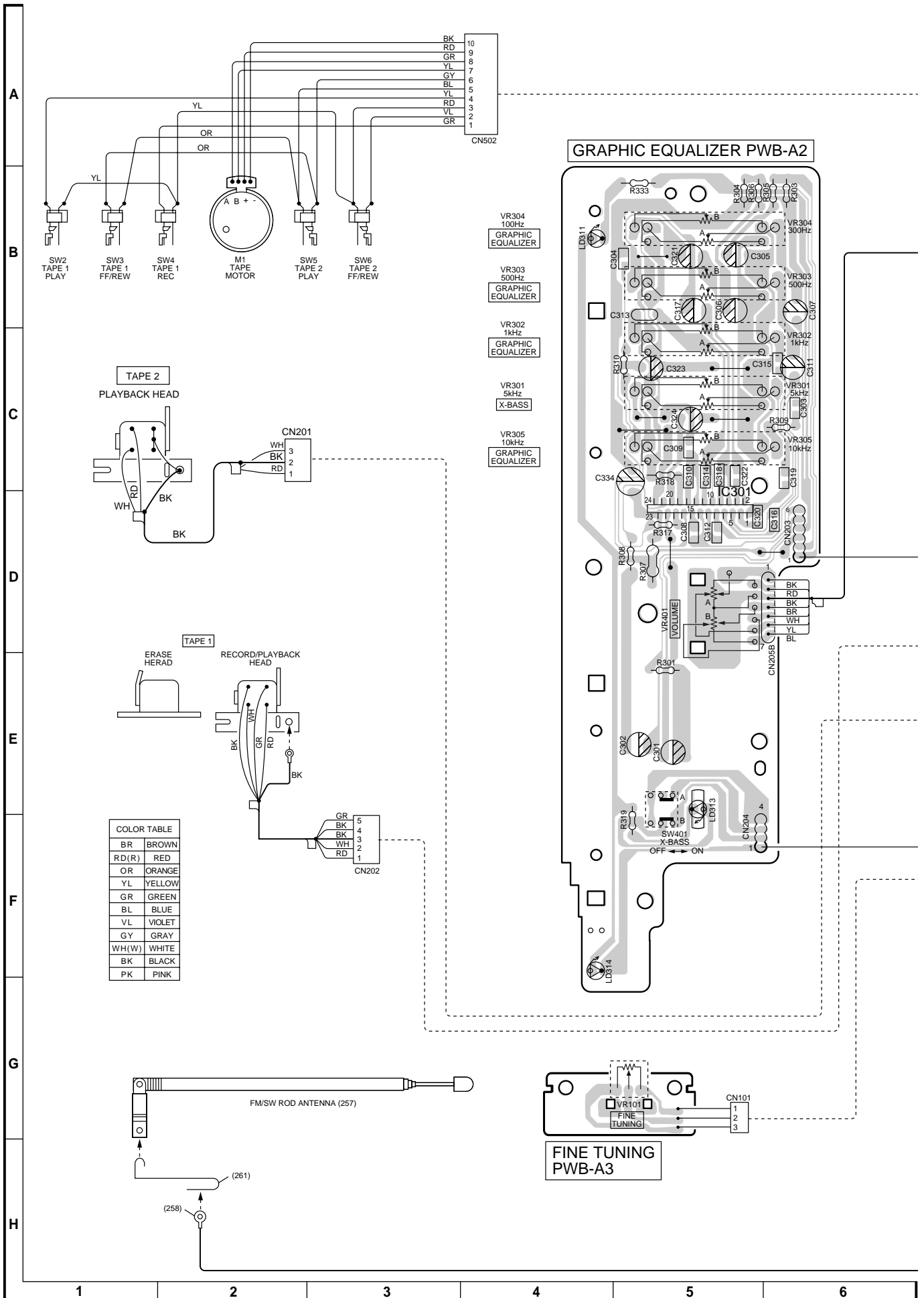


Figure 12 WIRING SIDE OF P.W.BOARD (1/3)

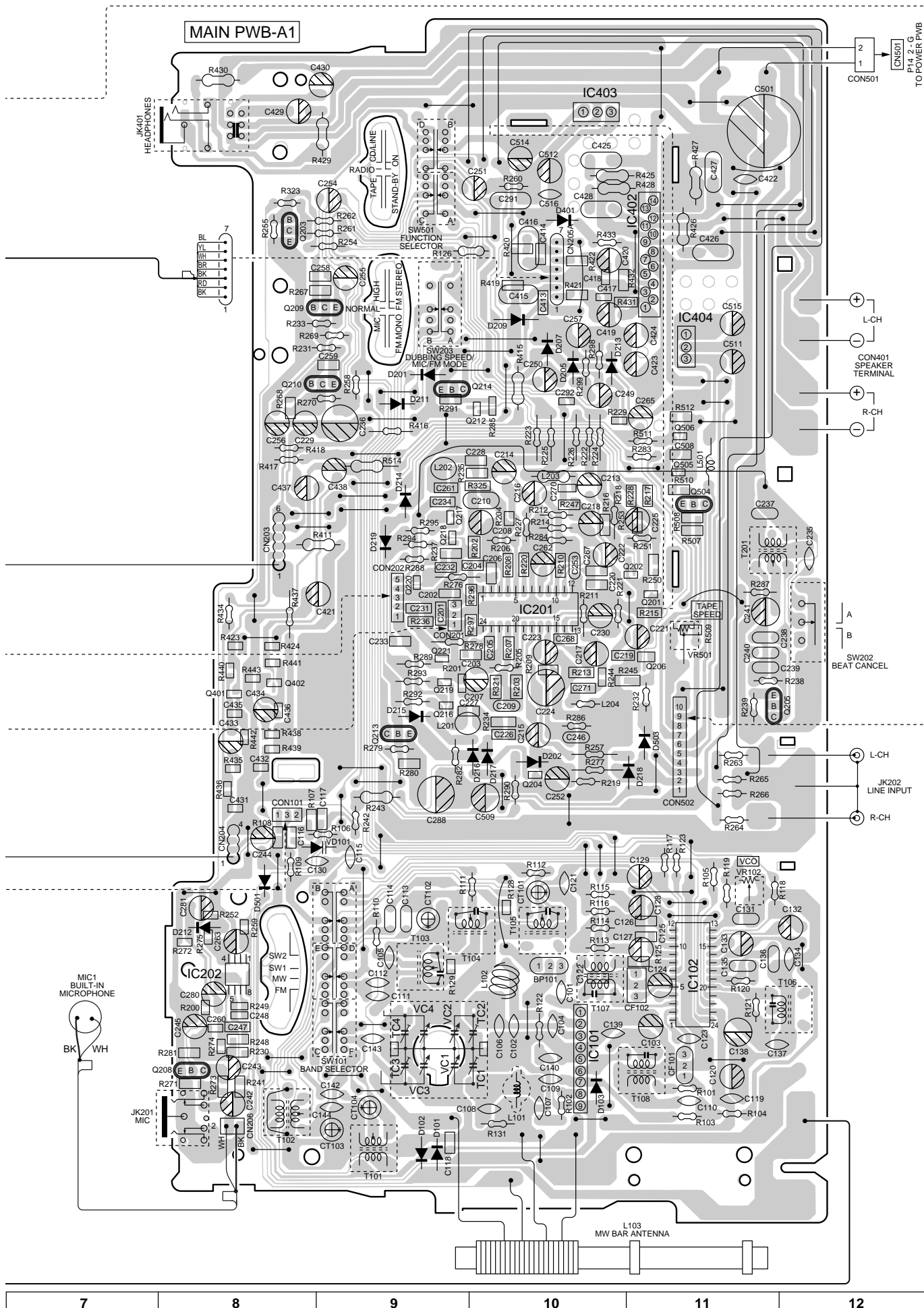
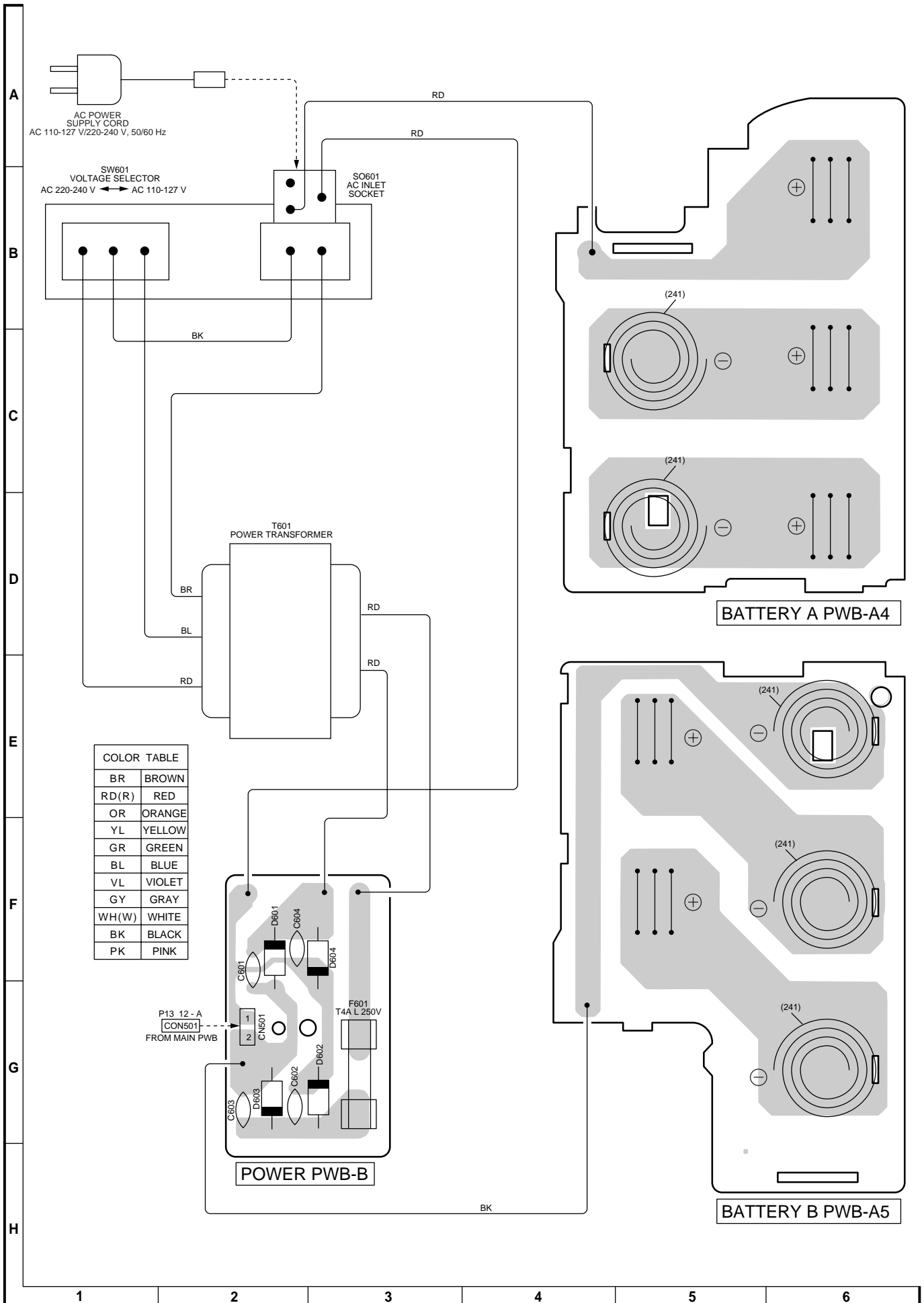


Figure 13 WIRING SIDE OF P.W.BOARD (2/3)

WF-2000W



COLOR TABLE	
BR	BROWN
RD(R)	RED
OR	ORANGE
YL	YELLOW
GR	GREEN
BL	BLUE
VL	VIOLET
GY	GRAY
WH(W)	WHITE
BK	BLACK
PK	PINK

Figure 14 WIRING SIDE OF P.W.BOARD (3/3)

SHARP PARTS GUIDE

PORTABLE STEREO COMPONENT SYSTEM

MODEL WF-2000W(S)

PORTABLE STEREO COMPONENT SYSTEM

MODEL WF-2000W(BK)

"HOW TO ORDER REPLACEMENT PARTS"

To have your order filled promptly and correctly, please furnish the following information.

- | | |
|-----------------|----------------|
| 1. MODEL NUMBER | 2. REF. No. |
| 3. PART NO. | 4. DESCRIPTION |

★ MARK: SPARE PARTS-DELIVERY SECTION

For U.S.A. only

Contact your nearest SHARP Parts Distributor to order.

For location of SHARP Parts Distributor,
Please call Toll-Free;
1-800-BE-SHARP

Explanation of capacitors/resistors parts codes

Capacitors

VCC Ceramic type
 VCK Ceramic type
 VCT Semiconductor type
 VC •• MF Cylindrical type (without lead wire)
 VC •• MN Cylindrical type (without lead wire)
 VC •• TV Square type (without lead wire)
 VC •• TQ Square type (without lead wire)
 VC •• CY Square type (without lead wire)
 VC •• CZ Square type (without lead wire)
 VC J .. The 13th character represents capacity difference.
 ("J" $\pm 5\%$, "K" $\pm 10\%$, "M" $\pm 20\%$, "N" $\pm 30\%$,
 "C" ± 0.25 pF, "D" ± 0.5 pF, "Z" +80-20%.)

If there are no indications for the electrolytic capacitors, error is $\pm 20\%$.

Resistors

VRD Carbon-film type
 VRS Carbon-film type
 VRN Metal-film type
 VR •• MF Cylindrical type (without lead wire)
 VR •• MN Cylindrical type (without lead wire)
 VR •• TV Square type (without lead wire)
 VR •• TQ Square type (without lead wire)
 VR •• CY Square type (without lead wire)
 VR •• CZ Square type (without lead wire)
 VR J .. The 13th character represents error.
 ("J" $\pm 5\%$, "F" $\pm 1\%$, "D" $\pm 0.5\%$.)

If there are no indications for other parts, the resistors are $\pm 5\%$ carbon-film type.

NOTE:

Parts marked with "⚠" are important for maintaining the safety of the set.
 Be sure to replace parts with specified ones for maintaining the safety and performance of the set.

WF-2000W

NO.	PART CODE	★ PRICE RANK	DESCRIPTION
INTEGRATED CIRCUITS			
IC101	VHILA1186N/-1	J AE	FM Front End,LA1186N
IC102	VHILA1805//1	J AM	FM/AM IF MPX.,LA1805
IC201	VHITA8189N/-1	J AM	Pre Amp.,TA8189N
IC202	92L2351-177001	J AK	Mic Amp.,BA15218F
IC301	VHIBA3822LS-1	J AL	Graphic Equalizer,BA3822LS
IC402	VHILA4663//1	J AQ	Power Amp.,LA4663
IC403	92L2301-240001	J AH	Voltage Regulator,L7808CV
IC404	92L2301-237003	J AH	Voltage Regulator,L7809CV

TRANSISTORS

Q201,202	92L2123-009001	J AD	Silicon,NPN,2SC2412 KR
Q203	VS2SC945AP/-1	J AB	Silicon,NPN,2SC945 AP
Q204	92L2123-009001	J AD	Silicon,NPN,2SC2412 KR
Q205	92L2103-109001	J AC	Silicon,NPN,3DA8050
Q206	VSKTC3875GR-1	J AB	Silicon,NPN,KTC3875 GR
Q208	92L2103-054003	J AD	Silicon,PNP,SS8050
Q209,210	VS2SC945AP/-1	J AB	Silicon,NPN,2SC945 AP
Q212	VSKTC3875GR-1	J AB	Silicon,NPN,KTC3875 GR
Q213,214	92L2101-025001	J AC	Silicon,PNP,SS8550
Q216~221	VSKTC3875GR-1	J AB	Silicon,NPN,KTC3875 GR
Q401,402	92L2123-009001	J AD	Silicon,NPN,2SC2412 KR
Q504	92L2101-025001	J AC	Silicon,PNP,SS8550
Q505,506	92L2123-009001	J AD	Silicon,NPN,2SC2412 KR

DIODES

D101~103	VHD1N4148//1	J AA	Silicon,1N4148
D201,202	VHD1N4148//1	J AA	Silicon,1N4148
D205	VHD1N4148//1	J AA	Silicon,1N4148
D207	VHD1N4148//1	J AA	Silicon,1N4148
D209	VHD1N4148//1	J AA	Silicon,1N4148
D211~219	VHD1N4148//1	J AA	Silicon,1N4148
D401	VHD1N4148//1	J AA	Silicon,1N4148
D501	VHD1N4148//1	J AA	Silicon,1N4148
D503	VHD1N4148//1	J AA	Silicon,1N4148
D601~604	92L2501-089001	J AE	Silicon,IN5402
LD311	92L2509-067001	J AC	LED,Red,L01-224HD
LD313	92L2509-080001	J AF	LED,Green,L-474CGDK
LD314	92L2509-067001	J AC	LED,Red,L01-224HD

FILTERS

BP101	92L4401-008001	J AG	Band Pass Filter
CF101	92L4403-060001	J AD	FM IF
CF102	92L4403-061002	J AG	AM IF

TRANSFORMERS

T101	92L1111-025001	J AE	SW1 Antenna
T102	92L1104-092001	J AD	SW2 Antenna
T103	92L1104-099001	J AE	MW OSC.
T104	92L1104-090001	J AD	SW1 OSC.
T105	92L1104-089001	J AD	SW2 OSC.
T106	92L1104-100001	J AE	FM Detection
T107	92L1104-097001	J AD	MW IF
T108	92L1104-038001	J AE	FM IF
T201	92L1104-105008	J AE	Bias OSC.
△ T601	92L5102-126001	J BM	Power

COILS

L101	92L1104-098001	J AE	FM OSC.
L102	92L1107-009001	J AB	FM Tracking
L103	92L7602-006001	J AE	MW Bar Antenna
L201,202	92L1101-161001	J AE	47 mH
L203,204	92L1101-150038	J AC	2.7 mH
L501	92L1101-003017	J AC	47 mH

VARIABLE RESISTORS

VR101	92L1701-060001	J AH	100 kohm (B),Semi-VR [Fine Tuning]
VR102	92L1601-001001	J AD	10 kohm (B),Semi-VR [VCO]
VR301	92L1702-008004	J AG	50 kohms (B)×2,Semi-VR [X-Bass]
VR302	92L1702-008003	J AG	100 kohm (B)×2,Semi-VR [Graphic Equalizer]

NO.	PARTS CODE	★ PRICE RANK	DESCRIPTION
VR303	92L1702-008002	J AG	100 kohm (B)×2,Semi-VR [Graphic Equalizer]
VR304	92L1702-008006	J AG	50 kohms (B)×2,Semi-VR [Graphic Equalizer]
VR305	92L1702-008005	J AG	100 kohm (B)×2,Semi-VR [Graphic Equalizer]
VR401	92L1701-059002	J AL	50 kohms (B)×2,Semi-VR [Volume]
VR501	92L1601-001007	J AD	500 ohms (B),Semi-VR [Tape Speed]

VARIABLE CAPACITORS

CT101~104	92L1341-007001	J AE	Trimmer,10 pF
VC1~4	92L1340-003001	J AQ	Variable Capacitor with Trimmer (TC1~4)
VD101	92L2507-001001	J AD	Silicon,1S2658

CAPACITORS

C101,102	VCKYPA1HB102K	J AA	0.001 μF,50V
C103	VCEAZA1CW106M	J AC	10 μF,16V,Electrolytic
C104	VCKYPA1HB102K	J AA	0.001 μF,50V
C105	VCCCPU1HH8R0C	J AA	8 pF (CH),50V
C106,107	VCCCPU1HH150J	J AA	15 pF (CH),50V
C108	VCCCPU1HH200J	J AA	20 pF (CH),50V
C109	VCCCPU1HH5R0C	J AA	5 pF (CH),50V
C110	VCKZPA1HF223Z	J AA	0.022 μF,50V
C111	92L1321-001095	J AC	330 pF (CH),50V
C112	VCCCPU1HH300J	J AA	30 pF (CH),50V
C113	VCQYKA1HM272K	J AA	0.0027 μF,50V,Mylar
C114	VCQYKA1HM472K	J AB	0.0047 μF,50V,Mylar
C115	VCCCPU1HH5R0C	J AA	5 pF (CH),50V
C116~118	VCKYTV1HF223Z	J AA	0.022 μF,50V
C119	VCKZPA1HF223Z	J AA	0.022 μF,50V
C120	VCEAZA1CW106M	J AC	10 μF,16V,Electrolytic
C121	VCKZPA1HF223Z	J AA	0.022 μF,50V
C122	VCKYTV1HF223Z	J AA	0.022 μF,50V
C123	VCKZPA1HF223Z	J AA	0.022 μF,50V
C124	VCEAZA1CW226M	J AC	22 μF,16V,Electrolytic
C125,126	VCKYTV1HB822K	J AA	0.0082 μF,50V
C127~129	VCEAZA1HW106M	J AB	10 μF,50V,Electrolytic
C130	VCKZPA1HF223Z	J AA	0.022 μF,50V
C131	VCQYKA1HM152K	J AB	0.0015 μF,50V,Mylar
C132,133	VCEAZA1HW335M	J AB	3.3 μF,50V,Electrolytic
C134	VCCSPU1HL471J	J AB	470 pF,50V
C135	VCQYKA1HM822K	J AA	0.0082 μF,50V,Mylar
C136	VCKYKA1HM222K	J J	0.0022 μF,50V,Mylar
C137	VCKZPA1HF223Z	J AA	0.022 μF,50V
C138	VCEAZA1CW227M	J AC	220 μF,16V,Electrolytic
C139	VCKZPA1HF223Z	J AA	0.022 μF,50V
C140	VCKZPA1HF104Z	J AA	0.1 μF,50V
C142	92L1321-001095	J AC	330 pF (CH),50V
C143	VCCCPU1HH150J	J AA	15 pF (CH),50V
C144	VCCCPU1HH100J	J AA	10 pF (CH),50V
C201,202	VCKYTV1HB102K	J AA	0.001 μF,50V
C203~206	VCCCTV1HH221J	J J	220 pF,50V
C207,208	VCEAZA1CW226M	J AC	22 μF,16V,Electrolytic
C209,210	VCQYKA1HM333J	J AB	0.033 μF,50V,Mylar
C213~216	RC-EZD225AF1H	J AB	2.2 μF,50V,Electrolytic
C217,218	VCEAZA1CW106M	J AC	10 μF,16V,Electrolytic
C219,220	VCKYTV1HB102K	J AA	0.001 μF,50V
C221~223	RC-EZD225AF1H	J AB	2.2 μF,50V,Electrolytic
C224	VCEAZA1CW337M	J AC	330 μF,16V,Electrolytic
C225	VCEAZA1CW106M	J AC	10 μF,16V,Electrolytic
C226	VCKYTV1HB152K	J AA	0.0015 μF,50V
C227	92L1323-014021	J AB	82 pF,50V
C228	VCKYTV1HB152K	J AA	0.0015 μF,50V
C229	RC-EZD225AF1H	J AB	2.2 μF,50V,Electrolytic
C230	VCEAZA1CW476M	J AB	47 μF,16V,Electrolytic
C231,232	VCKYTV1HB821K	J AA	820 pF,50V
C233,234	VCCCTV1HH151J	J AA	150 pF (CH),50V
C235	VCCCPU1HH181J	J AA	180 pF (CH),50V
C236	VCEAZA1CW227M	J AC	220 μF,16V,Electrolytic
C237	VCKYKA1HM222K	J J	0.0022 μF,50V,Mylar
C238	VCQYKA1HM223K	J AB	0.022 μF,50V,Mylar
C239	VCQYKA1HM102K	J AA	0.001 μF,50V,Mylar
C240	VCKYKA1HM222K	J J	0.0022 μF,50V,Mylar
C241	VCEAZA1CW107M	J AC	100 μF,16V,Electrolytic
C242	VCEAZA1HW106M	J AB	10 μF,50V,Electrolytic
C243	RC-EZD225AF1H	J AB	2.2 μF,50V,Electrolytic

NO.	PART CODE	★ PRICE RANK	DESCRIPTION	NO.	PARTS CODE	★ PRICE RANK	DESCRIPTION
C244	VCEAZA1CW106M	J AC	10 µF,16V,Electrolytic	R115	VRD-ST2CD153J	J AA	15 kohms,1/6W
C245	VCEAZA1CW227W	J	220 µF,16V,Electrolytic	R116	VRD-ST2CD472J	J AA	4.7 kohms,1/6W
C246	VCKYKA1HM222K	J	0.0022 µF,50V,Mylar	R117	VRD-ST2CD100J	J AA	10 ohm,1/6W
C247	VCCCTV1HH151J	J AA	150 pF (CH),50V	R118	VRD-ST2CD104J	J AA	100 kohms,1/6W
C248	VCCCTV1HH101J	J AA	100 pF (CH),50V	R119	VRD-ST2CD153J	J AA	15 kohms,1/6W
C249-251	VCEAZA1CW106M	J AC	10 µF,16V,Electrolytic	R120	VRD-ST2CD272J	J AA	2.7 kohms,1/6W
C252	VCEAZA1CW476M	J AB	47 µF,16V,Electrolytic	R121	VRD-ST2CD392J	J AA	3.9 kohms,1/6W
C253	VCKYKA1HM222K	J	0.0022 µF,50V,Mylar	R122	VRD-ST2CD100J	J AA	10 ohm,1/6W
C254-256	RC-EZD225AF1H	J AB	2.2 µF,50V,Electrolytic	R123	VRD-ST2CD102J	J AA	1 kohm,1/6W
C257	VCEAZA1CW336M	J AB	33 µF,16V,Electrolytic	R125	VRS-TV2AB104J	J AA	100 kohm,1/10W
C258,259	VCCCTV1HH221J	J AA	220 pF (CH),50V	R126	VRD-ST2EE101J	J AA	100 ohm,1/4W
C260	VCCCTV1HH151J	J AA	150 pF (CH),50V	R128,129	VRD-ST2CD332J	J AA	3.3 kohms,1/6W
C261	92L1323-014021	J AB	82 pF,50V	R131	VRD-ST2CD103J	J AA	10 kohm,1/6W
C262	VCEAZA1CW107M	J AC	100 µF,16V,Electrolytic	R200	VRS-TV2AB472J	J AA	4.7 kohms,1/10W
C263	VCEAZA1CW106M	J AC	10 µF,16V,Electrolytic	R201,202	VRS-TV2AB560J	J AA	56 ohms,1/10W
C265	VCEAZA1CW106M	J AC	10 µF,16V,Electrolytic	R203,204	VRS-TV2AB472J	J AA	4.7 kohms,1/10W
C267,268	VCCCTV1HH331J	J AA	330 pF (CH),50V	R205,206	VRD-ST2CD184J	J AA	180 kohms,1/6W
C270,271	VCKYTV1HB153K	J AA	0.015 µF,50V	R207,208	VRS-TV2AB562J	J AA	5.6 kohms,1/10W
C280	VCEAZA1HW475M	J AB	4.7 µF,50V,Electrolytic	R209,210	VRS-TV2AB184J	J AA	180 kohms,1/10W
C281	RC-EZD106AF1C	J AB	10 µF,16V,Electrolytic	R211,212	VRD-ST2CD102J	J AA	1 kohm,1/6W
C281	VCEAZA1CW106M	J AC	10 µF,16V,Electrolytic	R213	VRS-TV2AB474J	J AA	470 kohms,1/10W
C288	VCEAZA1CW337M	J AC	330 µF,16V,Electrolytic	R214	VRD-ST2CD474J	J AA	470 kohms,1/6W
C291	VCQYKA1HM272K	J AA	0.0027 µF,50V,Mylar	R215,216	VRS-TV2AB122J	J AA	1.2 kohms,1/10W
C292	VCKYTV1HB272K	J AA	0.0027 µF,50V	R217	VRS-TV2AB104J	J AA	100 kohm,1/10W
C301,302	RC-EZD105AF1H	J AB	1 µF,50V,Electrolytic	R218	VRD-ST2CD104J	J AA	100 kohm,1/6W
C303,304	VCKYTV1HF223Z	J AA	0.022 µF,50V	R219	VRD-ST2CD682J	J AA	6.8 kohms,1/6W
C305,306	RC-EZD105AF1H	J AB	1 µF,50V,Electrolytic	R220	VRS-TV2AB103J	J AA	10 kohm,1/10W
C307	RC-EZD474AF1H	J AB	0.47 µF,50V,Electrolytic	R221	VRD-ST2CD105J	J AA	1 Mohm,1/6W
C308	VCKYTV1HB103K	J AA	0.01 µF,50V	R222,223	VRD-ST2CD822J	J AA	8.2 kohms,1/6W
C309	VCKYTV1HB183K	J AA	0.018 µF,50V	R224,225	VRD-ST2CD473J	J AA	47 kohms,1/6W
C310	VCKYTV1HB821K	J AA	820 pF,50V	R226,227	VRD-ST2CD103J	J AA	10 kohm,1/6W
C311	RC-GZA334AF1H	J AA	0.33 µF,50V,Electrolytic	R228,229	VRS-TV2AB222J	J AA	2.2 kohms,1/10W
C312	VCKYTV1HB562K	J AA	0.0056 µF,50V	R230	VRS-TV2AB103J	J AA	10 kohm,1/10W
C313	VCQYKA1HM104K	J AB	0.1 µF,50V,Mylar	R231	VRD-ST2CD271J	J AA	270 ohms,1/6W
C314	VCKYTV1HB332K	J AA	0.0033 µF,50V	R232	VRD-ST2CD222J	J AA	2.2 kohms,1/6W
C315	VCKYTV1HF104Z	J AA	0.1 µF,50V	R233	VRD-ST2CD271J	J AA	270 ohms,1/6W
C316	VCKYTV1HB332K	J AA	0.0033 µF,50V	R234,235	VRS-TV2AB153J	J AA	15 kohms,1/10W
C317	RC-EZY334AF1H	J AB	0.33 µF,50V,Electrolytic	R236,237	VRS-TV2AB473J	J AA	47 kohms,1/10W
C318	VCKYTV1HB562K	J AA	0.0056 µF,50V	R238	VRD-ST2CD333J	J AA	33 kohms,1/6W
C319	VCKYTV1HB183K	J AA	0.018 µF,50V	R239	VRD-ST2CD100J	J AA	10 ohm,1/6W
C320	VCKYTV1HB821K	J AA	820 pF,50V	R241	VRS-TV2AB222J	J AA	2.2 kohms,1/10W
C321	RC-EZD474AF1H	J AB	0.47 µF,50V,Electrolytic	R242	VRD-ST2CD561J	J AA	560 ohms,1/6W
C322	VCKYTV1HB103K	J AA	0.01 µF,50V	R243	VRD-ST2CD103J	J AA	10 kohm,1/6W
C323,324	RC-EZD475AF1H	J AB	4.7 µF,50V,Electrolytic	R244	VRS-TV2AB391J	J AA	390 ohms,1/10W
C334	VCEAZA1CW227M	J AC	220 µF,16V,Electrolytic	R245	VRS-TV2AB103J	J AA	10 kohm,1/10W
C413,414	VCKYTV1HB102K	J AA	0.001 µF,50V	R247	VRS-TV2AB391J	J AA	390 ohms,1/10W
C415,416	VCQYKA1HM154K	J AB	0.15 µF,50V,Mylar	R248	VRS-TV2AB221J	J AA	220 ohms,1/10W
C417,418	VCKYTV1HB102K	J AA	0.001 µF,50V	R249	VRS-TV2AB333J	J AA	33 kohms,1/10W
C419,420	RC-EZD225AF1H	J AB	2.2 µF,50V,Electrolytic	R250	VRS-TV2AB332J	J AA	3.3 kohms,1/10W
C421	VCEAZA1CW227M	J AC	220 µF,16V,Electrolytic	R251	VRD-ST2CD332J	J AA	3.3 kohms,1/6W
C422	VCKZPA1HF223Z	J AA	0.022 µF,50V	R252	VRS-TV2AB332J	J AA	3.3 kohms,1/10W
C423	VCEAZA1CW106M	J AC	10 µF,16V,Electrolytic	R253	VRS-TV2AB223J	J AA	22 kohms,1/10W
C424	VCEAZA1EW476M	J AB	47 µF,25V,Electrolytic	R254,255	VRD-ST2CD103J	J AA	10 kohm,1/6W
C425-428	VCQYKA1HM104K	J AB	0.1 µF,50V,Mylar	R257	VRD-ST2CD151J	J AA	150 ohms,1/6W
C429,430	VCEAZA1CW106M	J AC	10 µF,16V,Electrolytic	R258	VRD-ST2CD561J	J AA	560 ohms,1/6W
C431,432	VCKYTV1EB273K	J AB	0.027 µF,25V	R259	VRS-TV2AB221J	J AA	220 ohms,1/10W
C433,434	RC-EZD225AF1H	J AB	2.2 µF,50V,Electrolytic	R260	VRD-ST2CD103J	J AA	10 kohm,1/6W
C435,436	VCCCTV1HH221J	J AA	220 pF (CH),50V	R261,262	VRD-ST2CD223J	J AA	22 kohms,1/6W
C437,438	RC-EZD225AF1H	J AB	2.2 µF,50V,Electrolytic	R263,264	VRD-ST2CD473J	J AA	47 kohms,1/6W
C501	VCEAZW1EW338M	J AG	3300 µF,25V,Electrolytic	R265,266	VRD-ST2CD472J	J AA	4.7 kohms,1/6W
C508	VCKYTV1HF223Z	J AA	0.022 µF,50V	R267,268	VRS-TV2AB334J	J AA	330 kohms,1/10W
C509	VCEAZA1CW107M	J AC	100 µF,16V,Electrolytic	R269,270	VRD-ST2CD392J	J AA	3.9 kohms,1/6W
C511,512	VCEAZA1CW476M	J AB	47 µF,16V,Electrolytic	R271	VRS-TV2AB102J	J AA	1 kohm,1/10W
C514,515	VCEAZA1HW106M	J AB	10 µF,50V,Electrolytic	R272	VRS-TV2AB105J	J AA	1 Mohm,1/10W
C516	VCKZPA1HF104Z	J AA	0.1 µF,50V	R273	VRS-TV2AB222J	J AA	2.2 kohms,1/10W
C601-604	VCKZPA1HF223Z	J AA	0.022 µF,50V	R274	VRS-TV2AB103J	J AA	10 kohm,1/10W
				R275	VRS-TV2AB472J	J AA	4.7 kohms,1/10W
				R276	VRD-ST2CD102J	J AA	1 kohm,1/6W
				R277	VRD-ST2CD333J	J AA	33 kohms,1/6W
				R278	VRD-ST2CD102J	J AA	1 kohm,1/6W
				R279	VRD-ST2CD151J	J AA	150 ohms,1/6W
				R280	VRS-TV2AB473J	J AA	47 kohms,1/10W
				R281	VRS-TV2AB103J	J AA	10 kohm,1/10W
				R282,283	VRD-ST2CD103J	J AA	10 kohm,1/6W
				R284	VRD-ST2CD473J	J AA	47 kohms,1/6W
				R285	VRS-TV2AB222J	J AA	2.2 kohms,1/10W
				R286	VRD-ST2CD473J	J AA	47 kohms,1/6W
				R287	VRD-ST2CD181J	J AA	180 ohms,1/6W
				R288-290	VRD-ST2CD103J	J AA	10 kohm,1/6W
				R291	VRS-TV2AB333J	J AA	33 kohms,1/10W
				R292-295	VRD-ST2CD103J	J AA	10 kohm,1/6W
				R296,297	VRS-TV2AB102J	J AA	1 kohm,1/10W
R101	VRD-ST2CD101J	J AA	100 ohm,1/6W				
R102	VRD-ST2CD331J	J AA	330 ohms,1/6W				
R103	VRD-ST2CD224J	J AA	220 kohms,1/6W				
R104	VRD-ST2CD824J	J AA	820 kohms,1/6W				
R105	VRD-ST2CD101J	J AA	100 ohm,1/6W				
R106	VRD-ST2CD104J	J AA	100 kohm,1/6W				
R107	VRS-TV2AB104J	J AA	100 kohm,1/10W				
R108	VRS-TV2AB103J	J AA	10 kohm,1/10W				
R109	VRD-ST2CD223J	J AA	22 kohms,1/6W				
R110-112	VRD-ST2CD470J	J AA	47 ohms,1/6W				
R113	VRD-ST2CD153J	J AA	15 kohms,1/6W				
R114	VRD-ST2CD472J	J AA	4.7 kohms,1/6W				

RESISTORS

WF-2000W

NO.	PART CODE	★	PRICE RANK	DESCRIPTION
R298,299	VRD-ST2CD103J	J	AA	10 kohm,1/6W
R301	VRD-ST2CD102J	J	AA	1 kohm,1/6W
R303-306	VRD-ST2CD222J	J	AA	2.2 kohms,1/6W
R307	VRD-ST2EE21J	J	AA	220 ohms,1/4W
R308-310	VRD-ST2CD102J	J	AA	1 kohm,1/6W
R317,318	VRD-ST2CD102J	J	AA	1 kohm,1/6W
R319	VRD-ST2CD331J	J	AA	330 ohms,1/6W
R321,322	VRS-TV2AB563J	J	AA	56 kohms,1/10W
R323	VRD-ST2CD103J	J	AA	10 kohm,1/6W
R333	VRD-ST2CD102J	J	AA	1 kohm,1/6W
R411	VRD-ST2EE331J	J	AA	330 ohms,1/4W
R415,416	VRD-ST2CD472J	J	AA	4.7 kohms,1/6W
R417,418	VRD-ST2CD223J	J	AA	22 kohms,1/6W
R419,420	VRS-TV2AB332J	J	AA	3.3 kohms,1/10W
R421,422	VRS-TV2AB102J	J	AA	1 kohm,1/10W
R423,424	VRS-TV2AB222J	J	AA	2.2 kohms,1/10W
R425-428	VRD-ST2EE2R2J	J	AA	2.2 ohms,1/4W
R429,430	VRD-ST2EE21J	J	AA	220 ohms,1/4W
R431,432	VRS-TV2AB153J	J	AA	15 kohms,1/10W
R433	VRD-ST2CD153J	J	AA	15 kohms,1/6W
R434	VRD-ST2CD682J	J	AA	6.8 kohms,1/6W
R435,436	VRS-TV2AB682J	J	AA	6.8 kohms,1/10W
R437	VRD-ST2CD682J	J	AA	6.8 kohms,1/6W
R438,439	VRS-TV2AB682J	J	AA	6.8 kohms,1/10W
R440,441	VRS-TV2AB334J	J	AA	330 kohms,1/10W
R442,443	VRS-TV2AB331J	J	AA	330 ohms,1/10W
R507	VRS-TV2AB473J	J	AA	47 kohms,1/10W
R508	VRS-TV2AB392J	J	AA	3.9 kohms,1/10W
R509	VRS-TV2AB331J	J	AA	330 ohms,1/10W
R510	VRS-TV2AB104J	J	AA	100 kohm,1/10W
R511	VRD-ST2CD103J	J	AA	10 kohm,1/6W
R512	VRS-TV2AB103J	J	AA	10 kohm,1/10W
R514	VRD-ST2CD103J	J	AA	10 kohm,1/6W

OTHER CIRCUITRY PARTS

CN101	92L3421-180003	J	AD	Connector Ass'y,3Pin
CN201	92L3421-882002	J	AE	Plug,3Pin
CN202	92L3421-879002	J	AG	Plug,5Pin
CN203	92L3461-000076	J	AD	Flat Wire,6Pin
CN204	92L3461-000077	J	AD	Flat Wire,4Pin
CN205A/B	92L3421-887002	J	AM	Connector Ass'y7Pin
CN206	92L3471-000021	J	AF	Connector Ass'y,2Pin
CN501	92L3421-417002	J	AD	Plug,2Pin
CN502	92L3421-152002	J	AG	Connector Ass'y,10Pin
CON101	92L3101-171010	J	AB	Plug,3Pin
CON201	92L3101-171010	J	AB	Plug,3Pin
CON202	92L3101-171008	J	AB	Plug,5Pin
CON401	92L3301-008001	J	AK	Terminal,Speaker
CON501	92L3101-094001	J	AB	Connector Ass'y,2Pin
CON502	92L3101-171003	J	AC	Plug,10Pin
△ F601	92L5301-025002	J	AE	Fuse,T4A L 250V
JK201	92L3202-036002	J	AE	Jack,Mic
JK202	92L3201-080001	J	AG	Jack,LINE Input
JK401	92L3202-036001	J	AE	Jack,Headphones
M1(246-10)	92L195912301	J		Motor with Pulley [Tape]
MIC1	92L7201-002001	J	AG	Built-in Microphone
△ SO601	92L3204-017001	J	J	Socket,AC Inlet
SW2(245-12)	92L4110-011002	J	J	Switch,Leaf Type [Tape 1 Play]
SW3(245-13)	92L4110-011001	J	J	Switch,Leaf Type [Tape 1 FF/REW]
SW4(245-14)	92L4110-011003	J	J	Switch,Leaf Type [Tape 1 REC]
SW5(245-15)	92L4110-011003	J	J	Switch,Leaf Type [Tape 2 Play]
SW6(245-16)	92L4110-011003	J	J	Switch,Leaf Type [Tape 2 FF/REW]
SW101	92L4103-022001	J	AF	Switch,Slide Type [Band Selector]
SW202	92L4103-025001	J	AD	Switch,Slide Type [Beat Cancel]
SW203	92L4103-025002	J	AE	Switch,Slide Type [Dubbing Speed/Mic/FM Mode]
SW401	92L4104-002001	J	AF	Switch,Push Type [X-Bass]
SW501	92L4103-025003	J	AF	Switch,Slide Type [Function Selector]
△ SW601	92L4106-011001	J	AH	Switch,Slide Type [Voltage Selector]

CABINET PARTS

NO.	PARTS CODE	★	PRICE RANK	DESCRIPTION
201	92L20021000102	J	AY	Front Cabinet [WF-2000W (S)]
201	92L20021000104	J	AY	Front Cabinet [WF-2000W (BK)]
202	92L20221000101	J	BA	Rear Cabinet [WF-2000W (S)]
202	92L20221000102	J	AZ	Rear Cabinet [WF-2000W (BK)]
203	92L21021000101	J	AG	Battery Compartment Lid [WF-2000W (S)]
203	92L21021000102	J	AG	Battery Compartment Lid [WF-2000W (BK)]
204	92L21121000101	J	AN	Cassette Holder [Tape 1] [WF-2000W (S)]
204	92L21121000102	J	AN	Cassette Holder [Tape 1] [WF-2000W (BK)]
205	92L21121000201	J	AN	Cassette Holder [Tape 2] [WF-2000W (S)]
205	92L21121000202	J		Cassette Holder [Tape 2] [WF-2000W (BK)]
206	92L23021000102	J	AL	Panel,Display
207	92L24021000101	J	AB	Dial Pointer
208	92L24821000101	J		Handle [WF-2000W (S)]
208	92L24821000102	J	AG	Handle [WF-2000W (BK)]
209	92L26021000101	J	AB	Window,Dial
210	92L26121000102	J	AF	Panel,Cassette Holder [Tape 1]
211	92L26721000101	J	AE	Lens,Volume Knob
212	92L27021000101	J	AB	Knob,Tuning
213	92L27021000201	J	AB	Knob,Fine Tuning
214	92L27220000301	J	AE	Button,F FWD [Tape 2] [WF-2000W (S)]
214	92L27220000302	J	AE	Button,F FWD [Tape 2] [WF-2000W (BK)]
215	92L27220000401	J	AE	Button,Stop/Eject [Tape 2] [WF-2000W (S)]
215	92L27220000402	J	AE	Button,Stop/Eject [Tape 2] [WF-2000W (BK)]
217	92L27221000101	J	AE	Button,Record [Tape 1] [WF-2000W (S)]
217	92L27221000102	J	AE	Button,Record [Tape 1] [WF-2000W (BK)]
218	92L27221000201	J	AE	Button,Play [Tape 1] [WF-2000W (S)]
218	92L27221000202	J	AE	Button,Play [Tape 1] [WF-2000W (BK)]
219	92L27221000301	J	AE	Button,Rewind [Tape 1] [WF-2000W (S)]
219	92L27221000302	J	AE	Button,Rewind [Tape 1] [WF-2000W (BK)]
220	92L27221000401	J	AE	Button,F FWD [Tape 1] [WF-2000W (S)]
220	92L27221000402	J	AE	Button,F FWD [Tape 1] [WF-2000W (BK)]
221	92L27221000501	J	AE	Button,Stop/Eject [Tape 1] [WF-2000W (S)]
221	92L27221000502	J	AE	Button,Stop/Eject [Tape 1] [WF-2000W (BK)]
222	92L27221000601	J	AE	Button,Pause [Tape 1] [WF-2000W (S)]
222	92L27221000602	J	AE	Button,Pause [Tape 1] [WF-2000W (BK)]
224	92L27220000101	J	AE	Button,Play [Tape 2] [WF-2000W (S)]
224	92L27220000102	J	AE	Button,Play [Tape 2] [WF-2000W (BK)]
225	92L27220000201	J	AE	Button,Rewind [Tape 2] [WF-2000W (S)]
225	92L27220000202	J	AE	Button,Rewind [Tape 2] [WF-2000W (BK)]
226	92L37921000101	J	AC	Cushion,Leg [WF-2000W (BK)]
226	92L37921000102	J		Cushion,Leg [WF-2000W (S)]
228	92L43021000101	J	AK	Heat Sink
229	92L57920000107	J	AE	Label,Specifications [WF-2000W (S) Except for Russian/Philippines]
229	92L57920000108	J	AE	Label,Specifications [WF-2000W (BK) for Russian/Philippines]
229	92L57920000109	J	AE	Label,Specifications [WF-2000W (S) for Russian]
229	92L57920000110	J	AE	Label,Specifications [WF-2000W (BK) for Russian]
229	92L57920000111	J	AE	Label,Specifications [WF-2000W (S) for Philippines]

NO.	PART CODE	★ PRICE RANK	DESCRIPTION	NO.	PARTS CODE	★ PRICE RANK	DESCRIPTION
229	92L57920000112	J AM	Label,Specifications [WF-2000W (BK) for Philip- pines]	SPEAKER BOX PARTS			
230	92L27321000101	J AD	Knob,Volume	901	92L79921000701	J	Front Cabinet Ass'y,Left [WF-2000W (S)]
231	92L27321000201	J AC	Knob,X-BASS	901	92L79921000901	J	Front Cabinet Ass'y,Left [WF-2000W (BK)]
232	92L27721000101	J AB	Knob,Function	902	92L79921000801	J	Front Cabinet Ass'y,Right [WF-2000W (S)]
233	92L27821000101	J AC	Knob,Band Selector	902	92L79921000A01	J	Front Cabinet Ass'y,Right [WF-2000W (BK)]
234	92L27821000201	J AC	Knob,Dubing Speed	903	92L20621000101	J AU	Rear Cabinet,Left [WF-2000W (S)]
235	92L28921000101	J AG	Ring,Volume Knob	903	92L20621000102	J AU	Rear Cabinet,Left [WF-2000W (BK)]
236	92L28921000201	J AF	Ring,X-BASS Knob	904	92L20621000201	J AU	Rear Cabinet,Right [WF-2000W (S)]
△ 238	QFSD0001AWZZ	J AB	Holder,Fuse	904	92L20621000202	J AU	Rear Cabinet,Right [WF-2000W (BK)]
239	92L25021000101	J AB	Holder,LED,Left	905	92L21221000101	J AB	Holder,Speaker Cord [WF-2000W (S)]
240	92L25021000201	J AB	Holder,LED,Right	905	92L21221000102	J AB	Holder,Speaker Cord [WF-2000W (BK)]
241	92L47421001101	J AE	Spring,Battery,-	906	92L23421000101	J AR	Decoration Panel,Left
242	92L370101G030D	J AC	Cover,PWB Pointer	907	92L23421000201	J AR	Decoration Panel,Right
243	92L370101G020D	J AE	Cover,PWB A	909	92L37921000201	J AD	Cushion,Leg
244	92L370101G020E	J AE	Cover,PWB B	910	92L61440041610	J AB	Screw,ø4×16mm
245	92L7702-018001	J	Tape Mechanism Ass'y	911	92L61430040810	J AA	Screw,ø3×8mm
245- 1	92L195904301	J AH	Pinch Roller Arm Ass'y,Fast Forward	912	92L3461000062	J	Speaker Cord
245- 2	92L195904302	J AH	Pinch Roller Arm Ass'y,Rewind	913	92L3461000064	J	Speaker Cord
245- 3	92L192104009	J	Pinch Roller Arm Ass'y	914	92L3461000065	J	Speaker Cord (With Capacitor C1,2)
245- 4	92L62160701	J	Head,Playback [Tape 2]	915	92L3461000079	J	Speaker Cord
245- 5	92L620101111	J	Head,Record/Playback [Tape 1]	SP1,2	92L4801-097001	J AS	Tweeter
245- 6	92L62091010	J	Head,Erase [Tape 1]	SP3,4	92L4801-096001	J AU	Woofer
245- 7	92L182112173	J AE	Belt,Main [Tape 1]	SP5,6	92L3461-000079	J AB	Woofer
245- 8	92L18511417	J	Belt,Main [Tape 2]	SP7,8	92L4802-005001	J AM	Super Tweeter
245- 9	92L19210703	J AD	Belt,FF/REW	ACCESSORIES/PACKING PARTS			
245-10(M1)	92L195912301	J	Motor with Pulley [Tape]	△	QACCA0004AW00	J AK	AC Power Supply Cord
245-12(SW2)	92L4110-011002	J	Switch,Slide Type [Tape 1 Play]	△	QACCE0007AW00	J AH	AC Power Supply Cord
245-13(SW3)	92L4110-011001	J	Switch,Leaf Type [Tape 1 FF/REW]	△	QPLGA0003AWZZ	J AF	AC Plug Adaptor
245-14(SW4)	92L4110-011003	J	Switch,Leaf Type [Tape 1 REC]	△	QPLGA0004AWZZ	J AF	AC Plug Adaptor
245-15(SW5)	92L4110-011003	J	Switch,Leaf Type [Tape 2 Play]		92L31020300401	J AC	Polyethylene Bag,Accessories
245-16(SW6)	92L4110-011003	J	Switch,Leaf Type [Tape 2 FF/REW]		92L31048600401	J AE	Polyethylene Bag,Unit
247	92L22621000101	J AC	Bracket,Gear		92L489QT800201	J AD	Mic Panel,for Set
248	92L25821000101	J AC	Holder,Function Knob		92L51020000101	J AV	Packing Case [WF-2000W (S)]
249	92L29021000101	J AD	Dial Whell		92L51020000102	J AV	Packing Case [WF-2000W (BK)]
250	92L29021000201	J AC	Gear,A		92L579QT800111	J AB	Label,Japan,for Set
251	92L29021000301	J AB	Gear,B		92L579QT800126	J AB	Label,Japan,for Packing Case
252	92L29021000401	J AC	Gear,C		92L579QT800128	J AB	Label,Hong Kong [For Hong Kong Only]
253	92L30021000102	J AV	Nylon Band		92L57920000101	J AC	Label,Bar Code [WF-2000W (S)]
254	92L375QT800101	J AC	Holder,Mic		92L57920000102	J AC	Label,Bar Code [WF-2000W (BK)]
255	92L42921000101	J AD	Bracket,Front Cabinet		92L57920000103	J AC	Label,Safety [For Hong Kong Only]
256	92L42921000201	J AC	Bracket,Dial Pointer		92L57920000201	J AG	Label,Feature
257	92L25133010101	J AC	Rod Antenna		92L57921000202	J AH	Label,Feature
259	92L47121000101	J AC	Spring,Cassette Holder Up		92L58020000102	J AP	Operation Manual [Except for Russian]
260	92L48121000101	J	Shield Plate		92L58020000103	J AP	Operation Manual [For Russian]
262	92L70321000101	J AG	Dampar		92L59021000101	J AF	Warranty Card [For Philippines Only]
263	92L79721000101	J	Badge,SHARP	P.W.B. ASSEMBLY (Not Replacement Item)			
264	92L26121000202	J AF	Panel,Cassette Holder [Tape 2]	PWB-A1	92L370101G040A	J —	Main (PWB Only)
△ 265	92L21521000101	J AC	AC Inlet	PWB-A2	92L370101G040B	J —	Equalizer (PWB Only)
266	92L47721000201	J AD	Spring,FM Antenna	PWB-A3	92L370101G040C	J —	Fine Tuning (PWB Only)
267	92L25021000301	J AA	Holder,LED	PWB-A4	92L370101G040E	J —	Battery A (BWB Only)
601	92L60030500830	J AA	Screw,ø3×8mm	PWB-A5	92L370101G040F	J —	Battery B (PWB Only)
602	92L60130500830	J AA	Screw,ø3×8mm	△ PWB-B	92L370101G050	J —	Power (PWB Only)
603	92L60426450610	J AA	Screw,ø2.6×6mm				
604	92L61030013010	J AB	Screw,ø3×30mm				
605	92L61030010810	J AA	Screw,ø3×8mm				
606	92L61030011010	J AA	Screw,ø3×10mm				
607	92L61030041410	J AB	Screw,ø3×14mm				
608	92L61230010610	J AA	Screw,ø3×6mm				
610	92L61226010810	J AA	Screw,ø2.6×8mm				
611	92L61530041410	J AB	Screw,ø3×14mm				
612	92L61530041010	J AB	Screw,ø3×10mm				
613	92L62030011010	J AA	Screw,ø3×10mm				
614	92L63305503207	J AA	Washer,ø3.2×ø5.5×0.7mm				
616	92L62030061070	J AB	Screw,ø3×10mm				

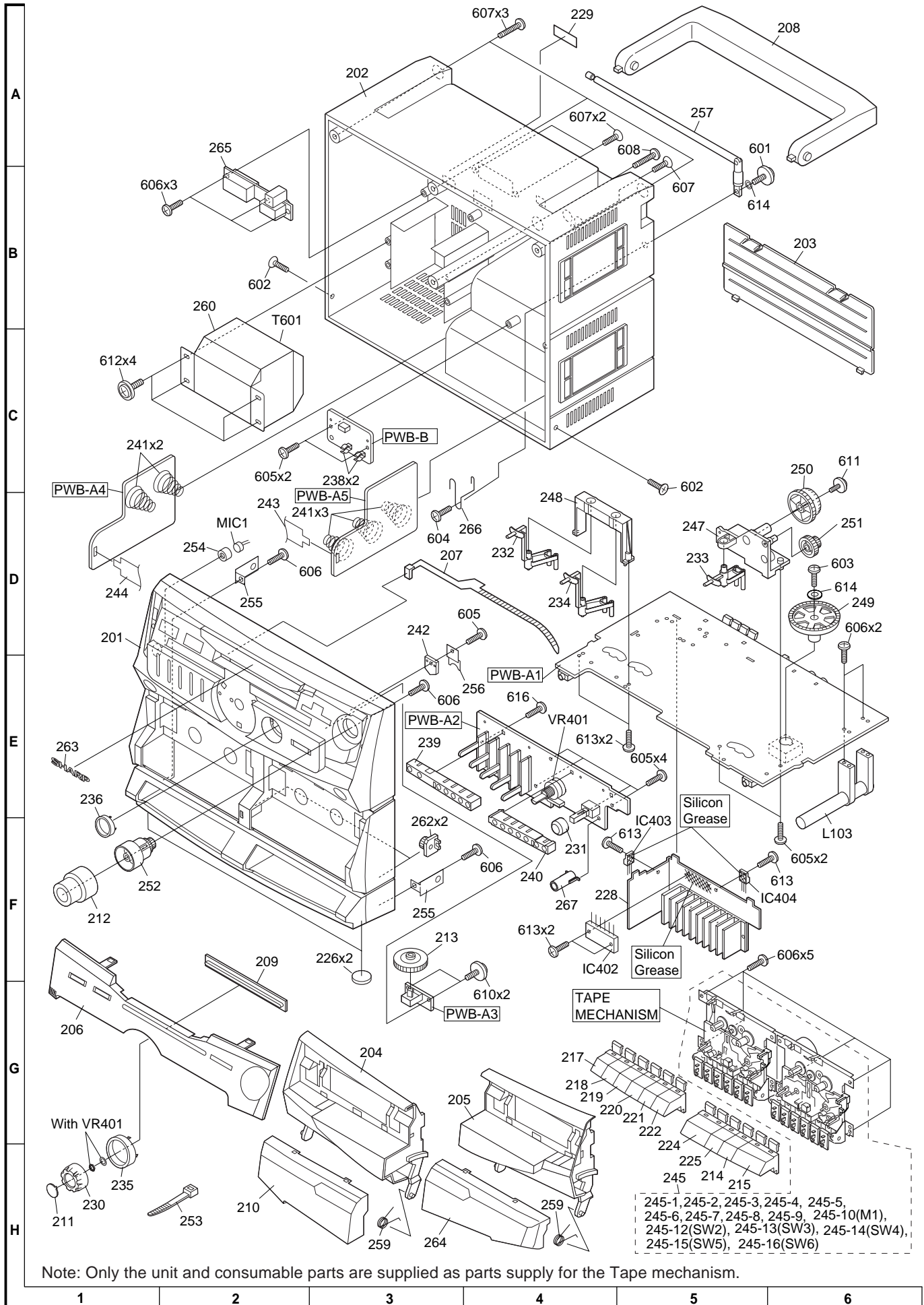


Figure 5 CABINET EXPLODED VIEW

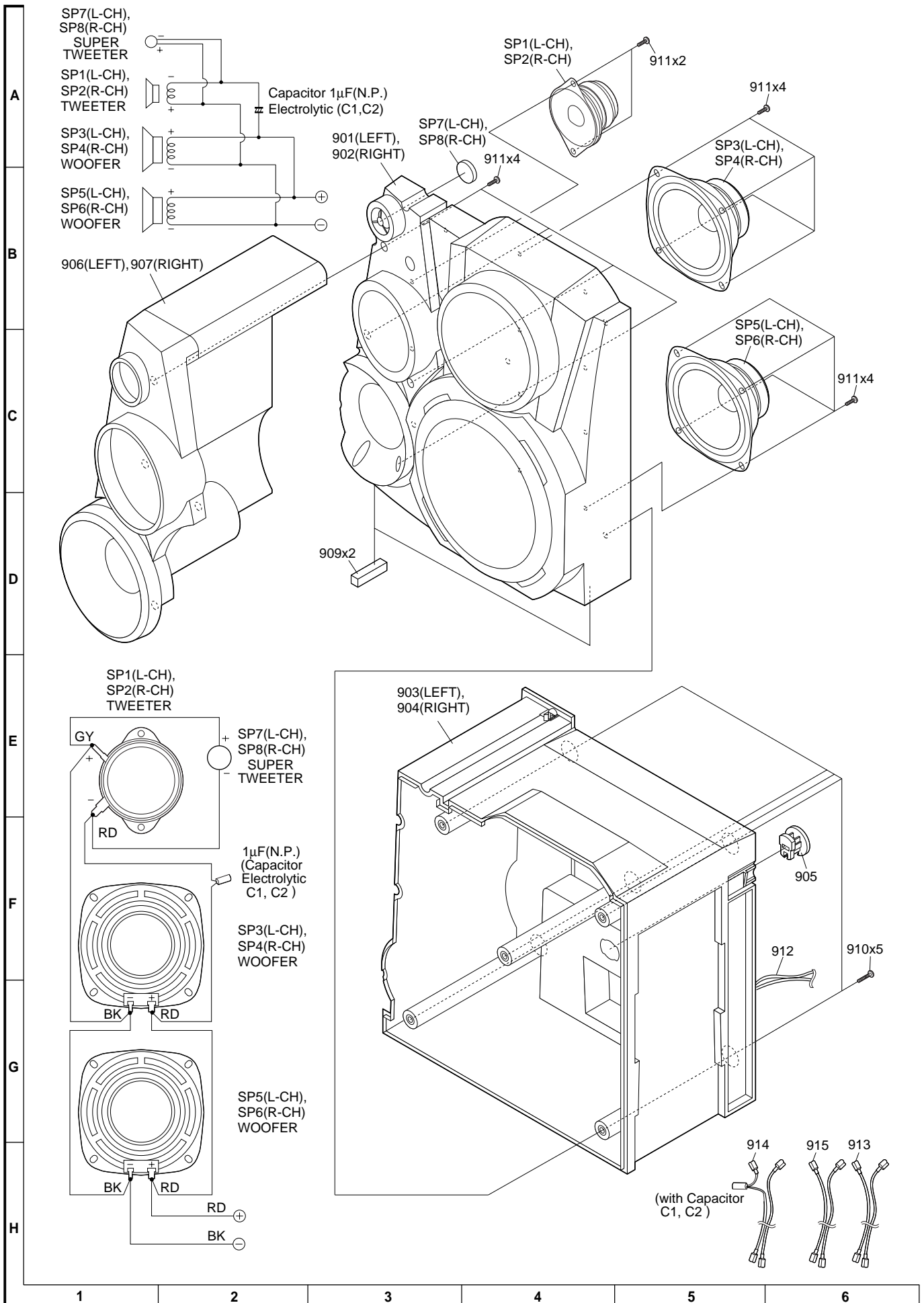


Figure 6 SPEAKER EXPLODED VIEW

WF-2000W

— M E M O —

— M E M O —

SHARP

COPYRIGHT © 2002 BY SHARP CORPORATION

ALL RIGHTS RESERVED.

No part of this publication may be reproduced, stored in a retrieval system, or transmitted in any form or by any means, electronic, mechanical, photocopying, recording, or otherwise, without prior written permission of the publisher.

SHARP CORPORATION
AV Systems Group
Audio Systems Division
Higashihiroshima, Hiroshima 739-0192, Japan
Printed in Japan

A0204-627DS•HA•C

EX