



# 22mm TuffLED™ Panel Mount Indicator



Ruggedized CNX 722 Series with built-in LED offers fast, easy installation in harsh environments

## Applications

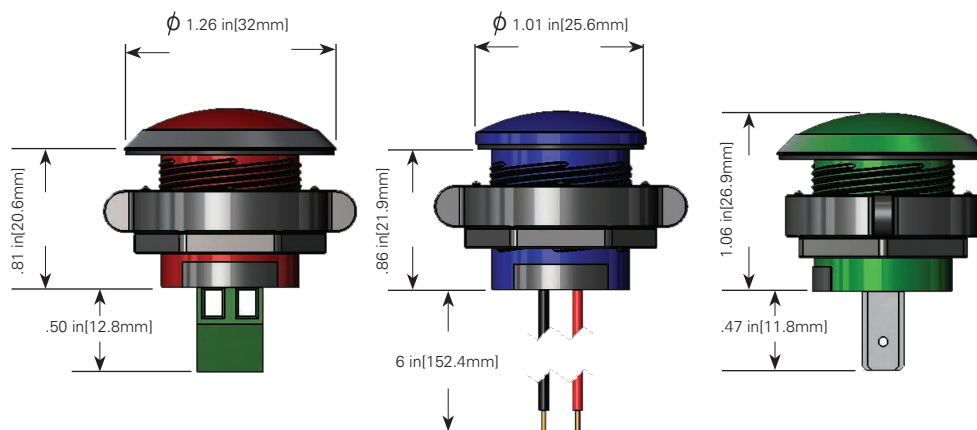
- control cabinets
- instrument panels
- disinfection and sterilization environments
- transportation dashboards
- switch stations
- safety applications
- outdoor signage
- aircraft and military
- industrial machinery
- vending and gaming machines

## Key features

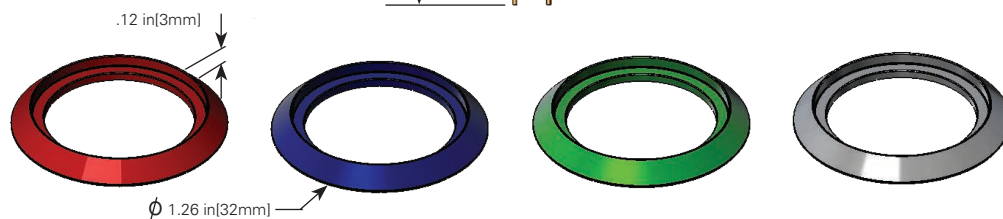
- designed for extreme harsh and outdoor environments
- variety of connection options for fast, easy installation
- built-in LED can be used with 5, 12 or 24 volt D/C circuits
- fast pitch threads ease assembly, requiring only 1 turn
- special nut assembles by finger, or with 1" hextool
- direct sunlight visibility
- wide angle viewable
- resistant to shock and vibration
- custom LEDs and lens colors available
- optional bezel available in many colors
- moisture sealed, IP 67/NEMA 6P rated
- RoHS compliant

## Product dimensions

Indicator Assemblies



Bezels



## Product specifications

LED output	
LED color**	typ intensity, mcd
red	1300-1900
green	700-1400
white	1300-1700
blue	200-280
yellow	80-200

Materials	
body	polycarbonate, UL 94-V2
retaining nut	PBT/glass filled, UL 94-V0
wire	22 AWG 1007/1569
moisture seal	EPDM
bezel- plastic	ABS, UL 94-HB
bezel- metal	aluminum alloy

Installation specification	
mounting hole	.855-.910" (21.7-23.1mm)
panel thickness	Up to .300" (7.6mm)

Operating parameters	
operating temperature	-40°F (-40°C) to 176°F (80°C)
current	20mA

## Ordering data

CNX 722 22mm indicator  
ordering code (example)

**CNX 722 X X00 XX X**

Body Type	
X=	material
C	colored*
N	clear

LED Color	
X00=	color
200	red
400	yellow
500	green
600	blue
900	white

Voltage	
XX=	input voltage
05	5VDC
12	12VDC
24	24VDC

Termination Style	
X=	termination style
B	screw block
T	quick disconnect/ terminals
W	wire leads

\*Body color to match  
LED color

**\*Optional bezel: BZL 722-X**

Bezel size = 22mm

\*Sold Separately

Bezel Color	
X=	color
0	black
2	red
4	yellow
5	green
6	blue
9	white
A	actual aluminum
B	brushed aluminum
C	chrome

# Mouser Electronics

Authorized Distributor

Click to View Pricing, Inventory, Delivery & Lifecycle Information:

## VCC:

[CNX722C20005B](#) [CNX722C40005W](#) [CNX722C40024T](#) [CNX722C40005B](#) [CNX722C50024T](#) [CNX722C20024W](#)  
[CNX722C20005T](#) [CNX722C50024W](#) [BZL722-2](#) [CNX722C20005W](#) [CNX722C50005B](#) [CNX722C50005T](#)  
[CNX722C20024B](#) [CNX722C40024B](#) [CNX722C40005T](#) [CNX722C50024B](#) [BZL722-5](#) [CNX722C40024W](#)  
[CNX722C50005W](#) [CNX722C20024T](#) [BZL722-4](#) [CNX722C60012B](#) [CNX722C60012T](#) [CNX722C60012W](#)  
[CNX722C50012B](#) [CNX722C50012T](#) [CNX722C50012W](#) [CNX722C20012B](#) [CNX722C20012T](#) [CNX722C20012W](#)  
[CNX722C90012B](#) [CNX722C90012T](#) [CNX722C90012W](#) [CNX722C40012B](#) [CNX722C40012T](#) [CNX722C40012W](#)  
[CNX722C60024B](#) [CNX722C60024T](#) [CNX722C60024W](#) [CNX722C90024B](#) [CNX722C90024T](#) [CNX722C90024W](#)  
[CNX722C60005B](#) [CNX722C60005T](#) [CNX722C60005W](#) [CNX722C90005B](#) [CNX722C90005T](#) [CNX722C90005W](#)  
[CNX722N60012B](#) [CNX722N60012T](#) [CNX722N60012W](#) [CNX722N50012B](#) [CNX722N50012T](#) [CNX722N50012W](#)  
[CNX722N20012B](#) [CNX722N20012T](#) [CNX722N20012W](#) [CNX722N90012B](#) [CNX722N90012T](#) [CNX722N90012W](#)  
[CNX722N40012B](#) [CNX722N40012T](#) [CNX722N40012W](#) [CNX722N60024B](#) [CNX722N60024T](#) [CNX722N60024W](#)  
[CNX722N50024B](#) [CNX722N50024T](#) [CNX722N50024W](#) [CNX722N20024B](#) [CNX722N20024T](#) [CNX722N20024W](#)  
[CNX722N90024B](#) [CNX722N90024T](#) [CNX722N90024W](#) [CNX722N40024B](#) [CNX722N40024T](#) [CNX722N40024W](#)  
[CNX722N60005B](#) [CNX722N60005T](#) [CNX722N60005W](#) [CNX722N50005B](#) [CNX722N50005T](#) [CNX722N50005W](#)  
[CNX722N20005B](#) [CNX722N20005T](#) [CNX722N20005W](#) [CNX722N90005B](#) [CNX722N90005T](#) [CNX722N90005W](#)  
[CNX722N40005B](#) [CNX722N40005T](#) [CNX722N40005W](#) [BZL722-0](#) [BZL722-6](#) [BZL722-9](#) [BZL722-A](#) [BZL722-B](#)  
[BZL722-C](#)