

## General Description

The MAX16052/MAX16053 are a family of small, low-power, high-voltage monitoring circuits with sequencing capability. These miniature devices offer very wide flexibility with an adjustable voltage threshold and an external capacitor-adjustable time delay. These devices are ideal for use in power-supply sequencing, reset sequencing, and power switching applications. Multiple devices can be cascaded for complex sequencing applications.

A high-impedance input (IN) with a 0.5V threshold allows an external resistive-divider to set the monitored threshold. The output (OUT) asserts high when the input voltage rises above the 0.5V threshold and the enable input (EN) is asserted high. When the voltage at IN falls below 0.495V or when the enable input is de-asserted (EN = low), the output deasserts (OUT = low). The devices provide a capacitor programmable delay time from when the voltage at IN rises above 0.5V to when the output is asserted.

The MAX16052 offers an active-high open-drain output while the MAX16053 offers an active-high push-pull output. Both devices operate from a 2.25V to 28V supply voltage and feature an active-high enable input. The MAX16052/MAX16053 are available in a tiny 6-pin SOT23 package and are fully specified over the automotive temperature range (-40°C to +125°C).

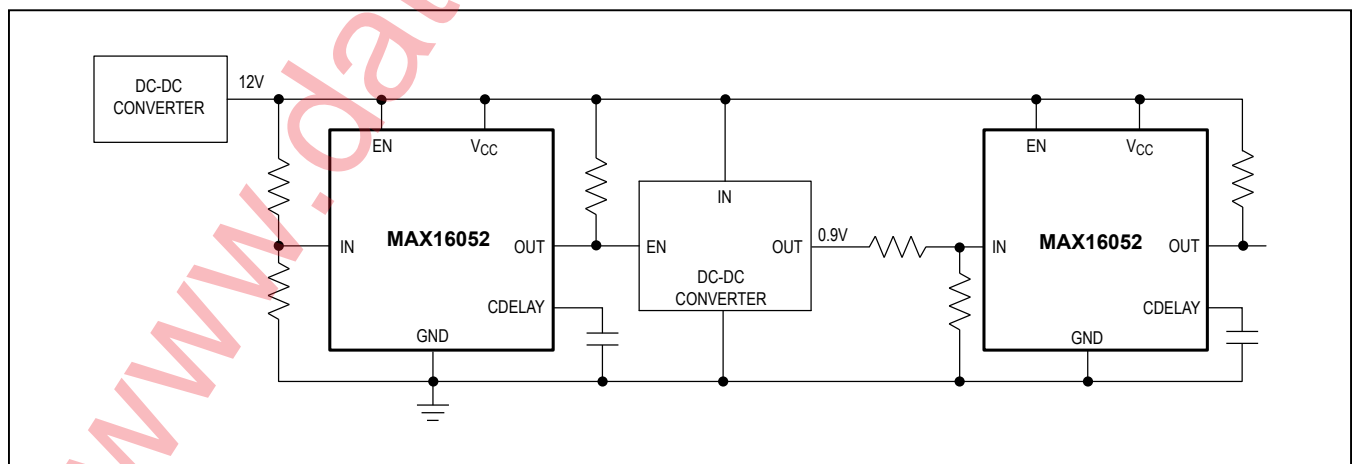
## Benefits and Features

- Less External Circuitry Results in Smaller Solution Size
  - Open-Drain (28V Tolerant) Output Allows Interfacing to 12V Intermediate Bus Voltage
  - Operates from V<sub>CC</sub> of 2.25V to 28V
  - Small 6-Pin SOT23 Package
- Ideal for Use in Power-Supply Sequencing, Reset Sequencing, and Power-Switching Applications
  - Active-High Logic-Enable Input
  - 1.8% Accurate Adjustable Threshold Over Temperature
- Fully Specified from -40°C to +125°C for Reliability in Extreme Temperatures
- Low Supply Current (18µA typ) Reduces Power Consumption

## Applications

- Medical Equipment
- Intelligent Instruments
- Portable Equipment
- Computers/Servers
- Critical µP Monitoring
- Set-Top Boxes
- Telecom

## Typical Operating Circuit



**Absolute Maximum Ratings**

(All voltages referenced to GND.)

V <sub>CC</sub> .....	-0.3V to +30V
OUT (push-pull, MAX16053).....	-0.3V to (V <sub>CC</sub> + 0.3V)
OUT (open-drain, MAX16052).....	-0.3V to +30V
EN, IN .....	-0.3V to (V <sub>CC</sub> + 0.3V)
CDELAY.....	-0.3V to +6V
Input/Output Current (all pins).....	±20mA

Continuous Power Dissipation (T<sub>A</sub> = +70°C)

6-Pin SOT23 (derate 8.7mW/°C above +70°C).....	695.7mW
Operating Temperature Range .....	-40°C to +125°C
Junction Temperature.....	+150°C
Storage Temperature Range .....	-65°C to +150°C
Lead Temperature (soldering, 10s) .....	+300°C
Soldering Temperature (reflow) .....	+260°C

Stresses beyond those listed under "Absolute Maximum Ratings" may cause permanent damage to the device. These are stress ratings only, and functional operation of the device at these or any other conditions beyond those indicated in the operational sections of the specifications is not implied. Exposure to absolute maximum rating conditions for extended periods may affect device reliability.

**Electrical Characteristics**

(V<sub>CC</sub> = 2.25V to 28V, V<sub>EN</sub> = V<sub>CC</sub>, T<sub>A</sub> = T<sub>J</sub> = -40°C to +125°C, unless otherwise specified. Typical values are at V<sub>CC</sub> = 3.3V and T<sub>A</sub> = +25°C.) (Note 1)

PARAMETER	SYMBOL	CONDITIONS	MIN	TYP	MAX	UNITS
<b>SUPPLY</b>						
Operating Voltage Range	V <sub>CC</sub>		2.25		28	V
Undervoltage Lockout	UVLO	V <sub>CC</sub> falling (Note 2)	1.8		2	V
V <sub>CC</sub> Supply Current	I <sub>CC</sub>	MAX16052, no load	V <sub>CC</sub> = 3.3V	18	37	µA
			V <sub>CC</sub> = 12V	23	45	
			V <sub>CC</sub> = 28V	38	61	
		MAX16053, no load	V <sub>CC</sub> = 3.3V	22	47	
			V <sub>CC</sub> = 12V	29	57	
			V <sub>CC</sub> = 28V	44	71	
<b>IN</b>						
Threshold Voltage	V <sub>TH</sub>	V <sub>IN</sub> rising, 2.25V ≤ V <sub>CC</sub> ≤ 28V	0.491	0.500	0.509	V
Hysteresis	V <sub>HYST</sub>	V <sub>IN</sub> falling		5		mV
Input Current	I <sub>IN</sub>	V <sub>IN</sub> = 0 or 28V	-110	+25	+110	nA
<b>CDELAY</b>						
CDELAY Charge Current	I <sub>CD</sub>	V <sub>CDELAY</sub> = 0V	200	250	300	nA
CDELAY Threshold	V <sub>TCD</sub>	V <sub>CDELAY</sub> rising	0.95	1.00	1.05	V
CDELAY Pulldown Resistance	R <sub>CDELAY</sub>	V <sub>CC</sub> ≥ 2.25V, I <sub>SINK</sub> = 200µA		15	60	Ω
		V <sub>CC</sub> ≥ 3.3V, I <sub>SINK</sub> = 1mA		15	60	
<b>EN</b>						
EN Low Voltage	V <sub>IL</sub>				0.5	V
EN High Voltage	V <sub>IH</sub>		1.4			V
EN Leakage Current	I <sub>LEAK</sub>	V <sub>EN</sub> = 0 or 28V	-110	+20	+110	nA
<b>OUT</b>						
OUT Low Voltage (Open-Drain or Push-Pull)	V <sub>OL</sub>	V <sub>CC</sub> ≥ 1.2V, I <sub>SINK</sub> = 90µA			0.2	V
		V <sub>CC</sub> ≥ 2.25V, I <sub>SINK</sub> = 0.5mA			0.3	
		V <sub>CC</sub> > 4.5V, I <sub>SINK</sub> = 1mA			0.4	
OUT High Voltage (Push-Pull, MAX16053)	V <sub>OH</sub>	V <sub>CC</sub> ≥ 2.25V, I <sub>SOURCE</sub> = 500µA	0.8 × V <sub>CC</sub>			V
		V <sub>CC</sub> ≥ 4.5V, I <sub>SOURCE</sub> = 800µA	0.9 × V <sub>CC</sub>			
OUT Leakage Current (Open-Drain, MAX16052)	I <sub>LKG</sub>	Output not asserted low, V <sub>OUT</sub> = 28V			150	nA

Electrical Characteristics (continued)

(V<sub>CC</sub> = 2.25V to 28V, V<sub>EN</sub> = V<sub>CC</sub>, T<sub>A</sub> = T<sub>J</sub> = -40°C to +125°C, unless otherwise specified. Typical values are at V<sub>CC</sub> = 3.3V and T<sub>A</sub> = +25°C.) (Note 1)

PARAMETER	SYMBOL	CONDITIONS		MIN	TYP	MAX	UNITS	
<b>TIMING</b>								
IN to OUT Propagation Delay	t <sub>DELAY</sub>	V <sub>CC</sub> = 3.3V, V <sub>IN</sub> rising, V <sub>IN</sub> = V <sub>TH</sub> + 25mV	MAX16052, 100kΩ pullup resistor, C <sub>CDELAY</sub> = 0		30		μs	
			MAX16053, C <sub>CDELAY</sub> = 0		30			
			MAX16052, 100kΩ pullup resistor, C <sub>CDELAY</sub> = 0.047μF		190		ms	
			MAX16053, C <sub>CDELAY</sub> = 0.047μF		190			
	V <sub>CC</sub> = 12V, V <sub>IN</sub> rising, V <sub>IN</sub> = V <sub>TH</sub> + 25mV	MAX16052, 100kΩ pullup resistor, C <sub>CDELAY</sub> = 0		30		μs		
		MAX16053, C <sub>CDELAY</sub> = 0		30				
	t <sub>DL</sub>		V <sub>CC</sub> = 3.3V, V <sub>IN</sub> falling, V <sub>IN</sub> = V <sub>TH</sub> - 30mV		18			
			V <sub>CC</sub> = 12V, V <sub>IN</sub> falling, V <sub>IN</sub> = V <sub>TH</sub> - 30mV		18			
Startup Delay (Note 3)		V <sub>CC</sub> = 2.25V, V <sub>IN</sub> = 0.525V, C <sub>CDELAY</sub> = 0		0.5		ms		
		V <sub>CC</sub> = 12V, V <sub>IN</sub> = 12V, C <sub>CDELAY</sub> = 0		0.5				
EN Minimum Input Pulse Width	t <sub>MPW</sub>			1			μs	
EN Glitch Rejection					100		ns	
EN to OUT Delay	t <sub>OFF</sub>	From device enabled to device disabled	MAX16052, 100kΩ pullup resistor	V <sub>CC</sub> = 3.3V		250	ns	
				V <sub>CC</sub> = 12V		300		
			MAX16053	V <sub>CC</sub> = 3.3V		350		
				V <sub>CC</sub> = 12V		400		
EN to OUT Delay	t <sub>PROP</sub>	From device disabled to device enabled	MAX16052, 100kΩ pullup resistor, C <sub>CDELAY</sub> = 0	V <sub>CC</sub> = 3.3V		14	μs	
				V <sub>CC</sub> = 12V		14		
				MAX16053	V <sub>CC</sub> = 3.3V			14
					V <sub>CC</sub> = 12V			14
			MAX16052, 100kΩ pullup resistor, C <sub>CDELAY</sub> = 0.047μF		190	ms		
				MAX16053, C <sub>CDELAY</sub> = 0.047μF			190	

**Note 1:** All devices are production tested at T<sub>A</sub> = +25°C. Limits over temperature are guaranteed by design.

**Note 2:** When V<sub>CC</sub> falls below the UVLO threshold, the outputs deassert (OUT goes low). When V<sub>CC</sub> falls below 1.2V, the output state cannot be determined.

**Note 3:** During the initial power-up, V<sub>CC</sub> must exceed 2.25V for at least 0.5ms before OUT can go high.

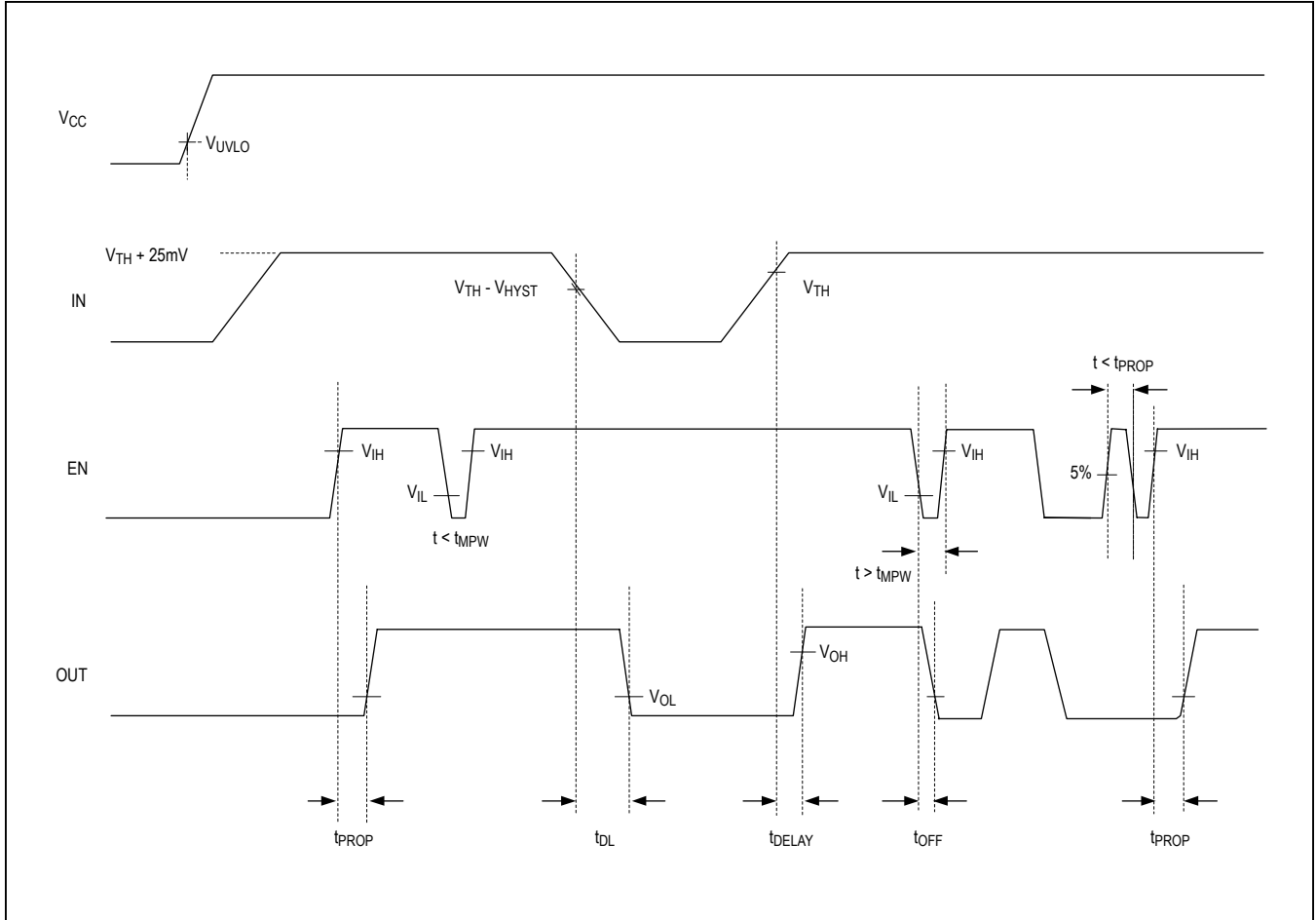
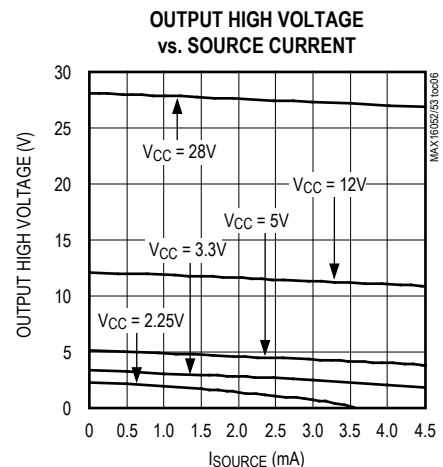
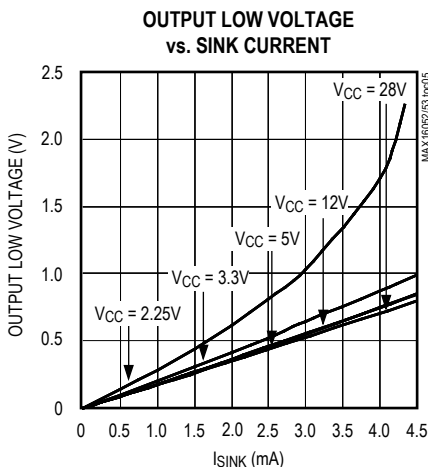
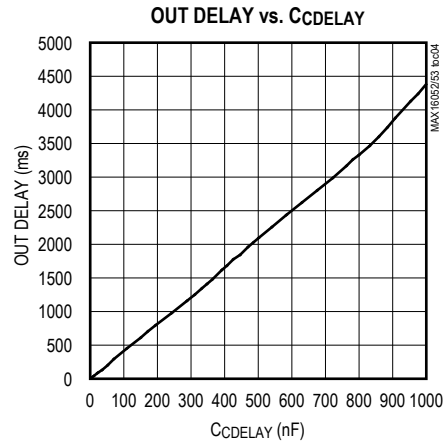
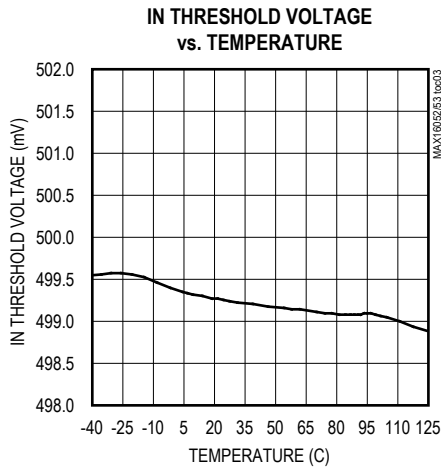
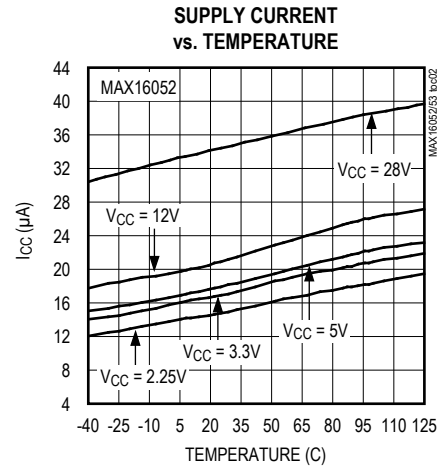
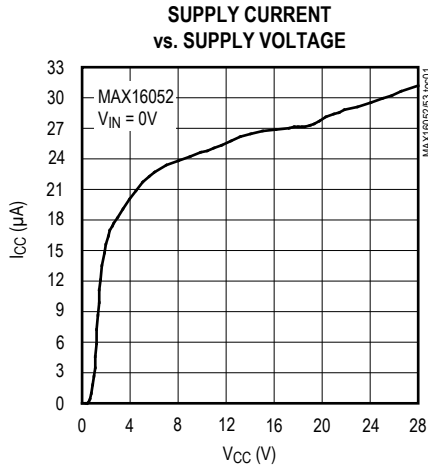


Figure 1. MAX16052/MAX16053 Timing Diagram ( $C_{DELAY} = 0$ )

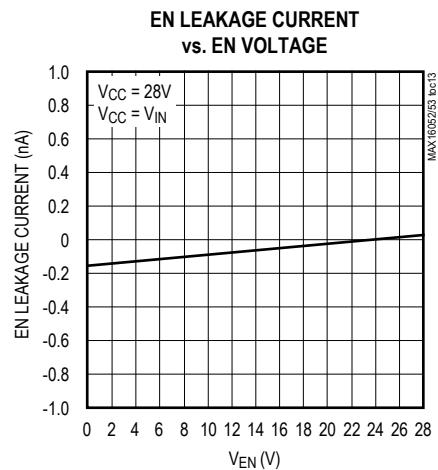
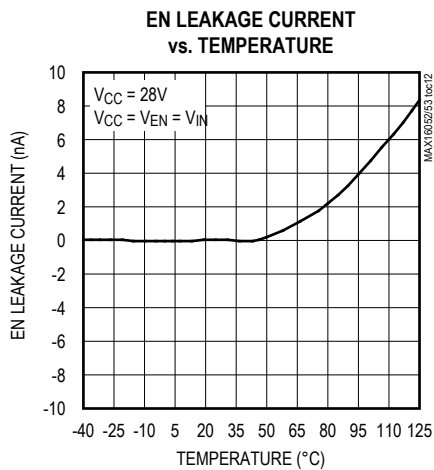
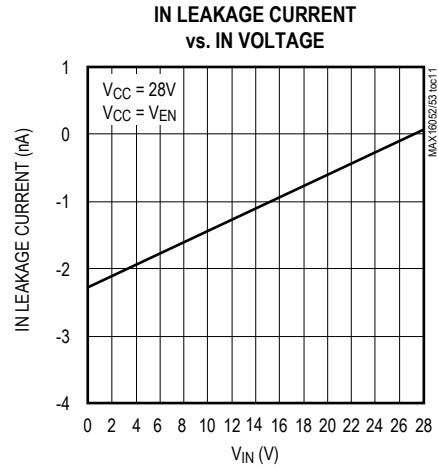
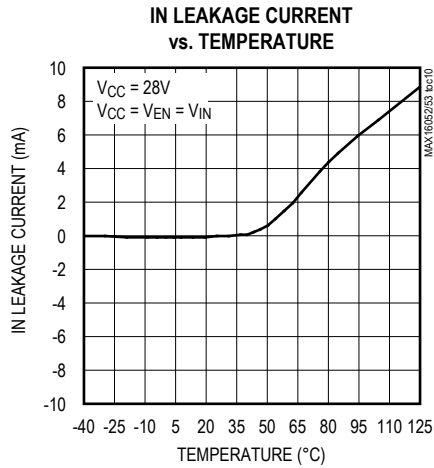
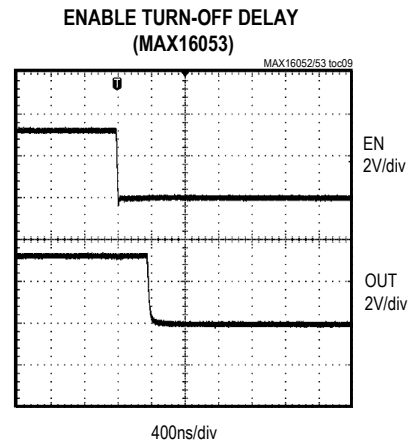
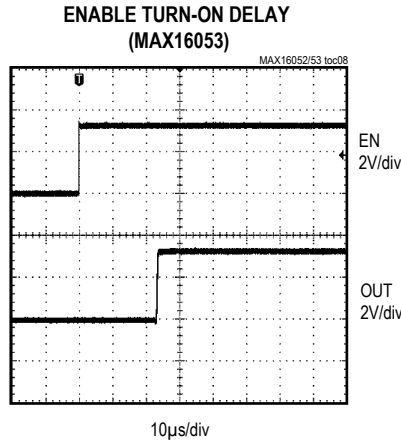
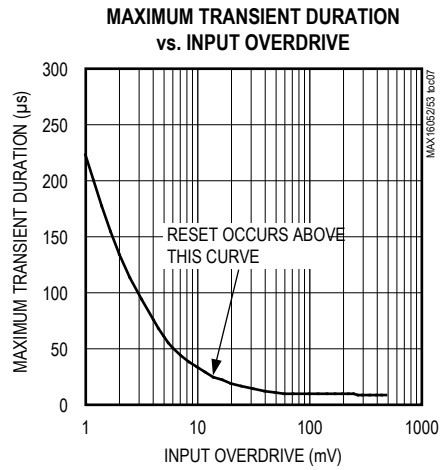
Typical Operating Characteristics

( $V_{CC} = 3.3V$  and  $T_A = +25^\circ C$ , unless otherwise noted.)

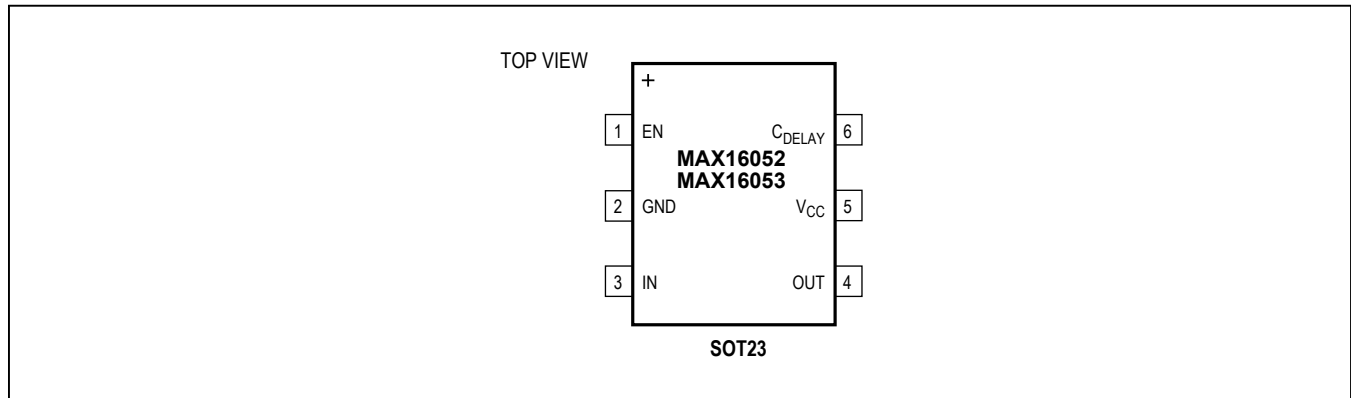


Typical Operating Characteristics (continued)

( $V_{CC} = 3.3V$  and  $T_A = +25^\circ C$ , unless otherwise noted.)



Pin Configuration



Pin Description

PIN	NAME	FUNCTION
1	EN	Active-High Logic-Enable Input. Drive EN low to immediately de-assert the output to its false state (OUT = low) independent of V <sub>IN</sub> . With V <sub>IN</sub> above V <sub>TH</sub> , drive EN high to assert the output to its true state (OUT = high) after the adjustable delay period. Connect EN to V <sub>CC</sub> , if not used.
2	GND	Ground
3	IN	High-Impedance Monitor Input. Connect IN to an external resistive-divider to set the desired monitor threshold. The output changes state when V <sub>IN</sub> rises above 0.5V and when V <sub>IN</sub> falls below 0.495V.
4	OUT	Active-High Sequencer/Monitor Output. Open-drain (MAX16052) or push-pull (MAX16053). OUT is asserted to its true state (OUT = high) when V <sub>IN</sub> is above V <sub>TH</sub> and the enable input is in its true state (EN = high) after the capacitor-adjusted delay period. OUT is de-asserted to its false state (OUT = low) immediately after V <sub>IN</sub> drops below 0.495V or the enable input is in its false state (EN = low). The MAX16052 open-drain output requires an external pullup resistor.
5	V <sub>CC</sub>	Supply Voltage Input. Connect a 2.25V to 28V supply to V <sub>CC</sub> to power the device. For noisy systems, bypass with a 0.1μF ceramic capacitor to GND.
6	C <sub>DELAY</sub>	Capacitor-Adjustable Delay Input. Connect an external capacitor (C <sub>DELAY</sub> ) from C <sub>DELAY</sub> to GND to set the IN-to-OUT and EN-to-OUT delay period. For V <sub>IN</sub> rising, t <sub>DELAY</sub> = (C <sub>DELAY</sub> × 4.0 × 10 <sup>6</sup> ) + 30μs. For EN rising, t <sub>PROP</sub> = (C <sub>DELAY</sub> × 4.0 × 10 <sup>6</sup> ) + 14μs.

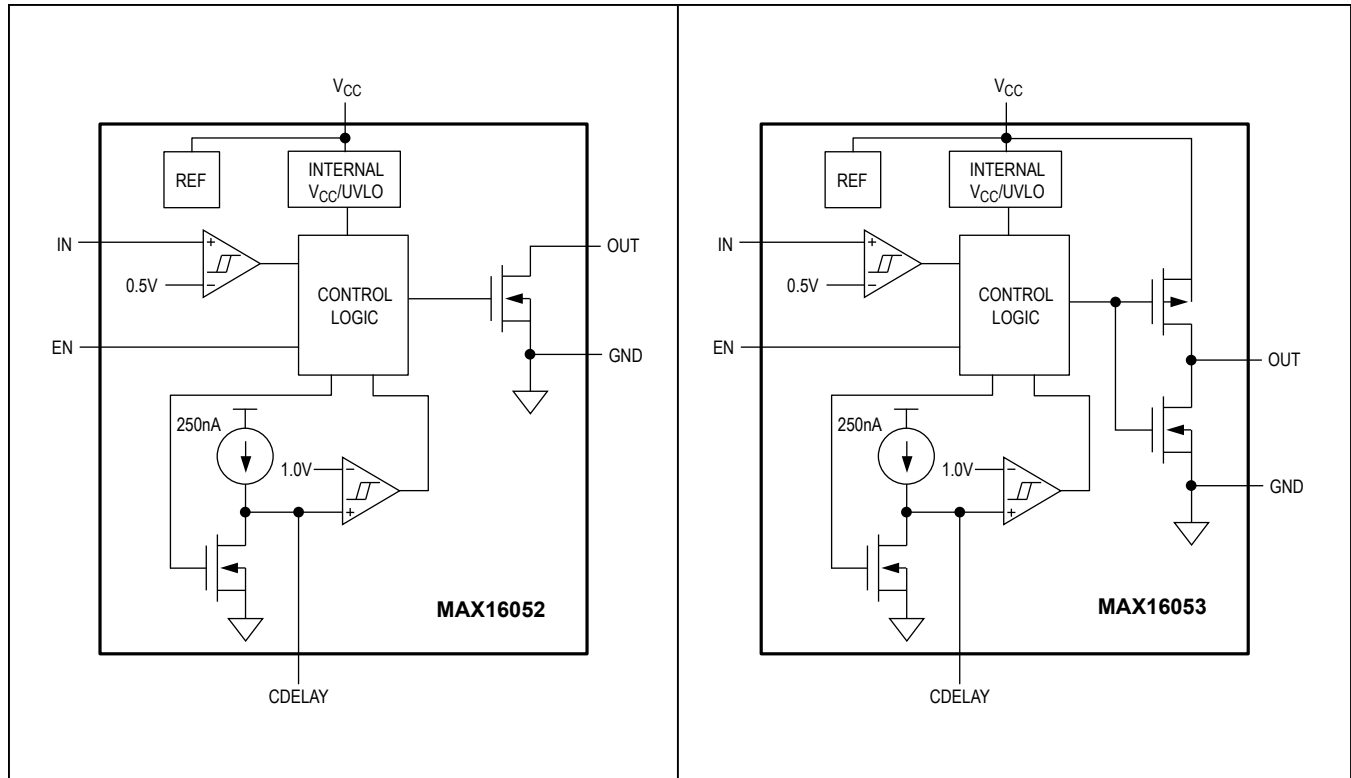


Figure 2. Simplified Functional Diagram

### Detailed Description

The MAX16052/MAX16053 family of high-voltage, sequencing/supervisory circuits provide adjustable voltage monitoring for inputs down to 0.5V. These devices are ideal for use in power-supply sequencing, reset sequencing, and power-switching applications. Multiple devices can be cascaded for complex sequencing applications.

The MAX16052/MAX16053 perform voltage monitoring using a high-impedance input (IN) with an internally fixed 0.5V threshold. When the voltage at IN falls below 0.5V or when the enable input is de-asserted (EN = low) OUT goes low. When  $V_{IN}$  rises above 0.5V and the enable input is asserted (EN = high), OUT goes high after a capacitor-adjustable time delay.

With  $V_{IN}$  above 0.5V, the enable input can be used to turn on or off the output. [Table 1](#) details the output state depending on the various input and enable conditions.

Table 1. MAX16052/MAX16053

IN	EN	OUT
$V_{IN} < V_{TH}$	Low	Low
$V_{IN} < V_{TH}$	High	Low
$V_{IN} < V_{TH}$	Low	Low
$V_{IN} > V_{TH}$	High	OUT = High Impedance (MAX16052)
		OUT = $V_{CC}$ (MAX16053)

### Supply Input (VCC)

The device operates with a  $V_{CC}$  supply voltage from 2.25V to 28V. In order to maintain a 1.8% accurate threshold at IN,  $V_{CC}$  must be above 2.25V. When  $V_{CC}$  falls below the UVLO threshold, the output deasserts low. When  $V_{CC}$  falls below 1.2V, the output state is not guaranteed. For noisy systems, connect a 0.1µF ceramic capacitor from  $V_{CC}$  to GND as close to the device as possible.



### Monitor Input (IN)

Connect the center point of a resistive-divider to IN to monitor external voltages (see R1 and R2 of [Figure 4](#)). IN has a rising threshold of  $V_{TH} = 0.5V$  and a falling threshold of  $0.495V$  (5mV hysteresis). When  $V_{IN}$  rises above  $V_{TH}$  and EN is high, OUT goes high after the adjustable  $t_{DELAY}$  period. When  $V_{IN}$  falls below  $0.495V$ , OUT goes low after a  $18\mu s$  delay. IN has a maximum input current of  $60nA$ , so large value resistors are permitted without adding significant error to the resistive-divider.

### Adjustable Delay (CDELAY)

When  $V_{IN}$  rises above  $V_{TH}$  with EN high, the internal  $250nA$  current source begins charging an external capacitor connected from  $C_{DELAY}$  to GND. When the voltage at  $C_{DELAY}$  reaches  $1V$ , the output asserts (OUT goes high). When the output asserts,  $C_{DELAY}$  is immediately discharged. Adjust the delay ( $t_{DELAY}$ ) from when  $V_{IN}$  rises above  $V_{TH}$  (with EN high) to OUT going high according to the equation:

$$t_{DELAY} = C_{DELAY} \times (4 \times 10^6 \Omega) + (30\mu s)$$

where  $t_{DELAY}$  is in seconds and  $C_{DELAY}$  is in Farads.

### Enable Input (EN)

The MAX16052/MAX16053 offer an active-high enable input (EN). With  $V_{IN}$  above  $V_{TH}$ , drive EN high to force OUT high after the capacitor-adjustable delay time. The EN-to-OUT delay time ( $t_{PROP}$ ) can be calculated from when EN goes above the EN threshold using the equation:

$$t_{PROP} = C_{DELAY} \times (4 \times 10^6 \Omega) + (14\mu s)$$

where  $t_{PROP}$  is in seconds and  $C_{DELAY}$  is in Farads. Drive EN low to force OUT low within  $300ns$  for the MAX16052 and within  $400ns$  for the MAX16053.

### Output (OUT)

The MAX16052 offers an active-high, open-drain output while the MAX16053 offers an active-high push-pull output. The push-pull output is referenced to  $V_{CC}$ . The open-drain output requires a pullup resistor and can be pulled up to  $28V$ .

## Applications Information

### Input Threshold

The MAX16052/MAX16053 monitor the voltage on IN with an external resistive-divider ([Figure 4](#)). R1 and R2 can have very high values to minimize current consumption due to low IN leakage currents ( $60nA$  max). Set R2 to

some conveniently high value ( $200k\Omega$  for  $\pm 1\%$  additional variation in threshold, for example) and calculate R1 based on the desired monitored voltage using the following formula:

$$R1 = R2 \times \left[ \frac{V_{MONITOR}}{V_{TH}} - 1 \right]$$

where  $V_{MONITOR}$  is the desired monitored voltage and  $V_{TH}$  is the reset input threshold ( $0.5V$ ).

### Pullup Resistor Values (MAX16052 Only)

The exact value of the pullup resistor for the open-drain output is not critical, but some consideration should be made to ensure the proper logic levels when the device is sinking current. For example, if  $V_{CC} = 2.25V$  and the pullup voltage is  $28V$ , keep the sink current less than  $0.5mA$  as shown in the *Electrical Characteristics* table. As a result, the pullup resistor should be greater than  $56k\Omega$ . For a  $12V$  pullup, the resistor should be larger than  $24k\Omega$ . Note that the ability to sink current is dependent on the  $V_{CC}$  supply voltage.

### Ensuring a Valid OUT Down to $V_{CC} = 0V$ (Push-Pull OUT)

In applications in which OUT must be valid down to  $V_{CC} = 0V$ , add a pulldown resistor between OUT and GND for the push-pull output (MAX16053). The resistor sinks any stray leakage currents, holding OUT low ([Figure 3](#)). The value of the pulldown resistor is not critical;  $100k\Omega$  is large enough not to load OUT and small enough to pull OUT to ground. The external pulldown cannot be used with the open-drain OUT output.

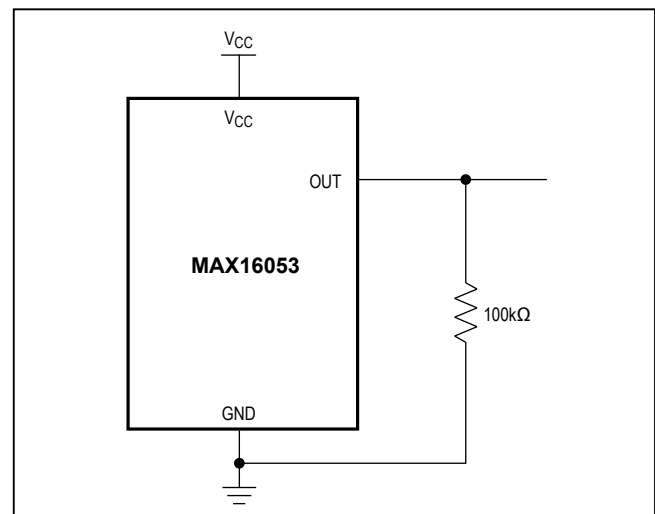


Figure 3. Ensuring OUT Valid to  $V_{CC} = 0V$

**Typical Application Circuits**

Figure 4 through Figure 6 show typical applications for the MAX16052/MAX16053. Figure 4 shows the MAX16052 used with a pMOSFET in an overvoltage protection circuit. Figure 5 shows the MAX16053 in a low-voltage sequencing application using an nMOSFET. Figure 6 shows the MAX16053 used in a multiple output sequencing application.

**Using an n-Channel Device for Sequencing**

In higher power applications, using an n-channel device reduces the loss across the MOSFET as it offers a lower drain-to-source on-resistance. However, an nMOSFET

requires a sufficient  $V_{GS}$  voltage to fully enhance it for a low  $R_{DS\_ON}$ . The application shown in Figure 5 shows the MAX16053 in a switch sequencing application using an nMOSFET.

Similarly, if a higher voltage is present in the system, the open-drain version can be used in the same manner.

**Power-Supply Bypassing**

In noisy applications, bypass  $V_{CC}$  to ground with a  $0.1\mu F$  capacitor as close to the device as possible. The additional capacitor improves transient immunity. For fast-rising  $V_{CC}$  transients, additional capacitors may be required.

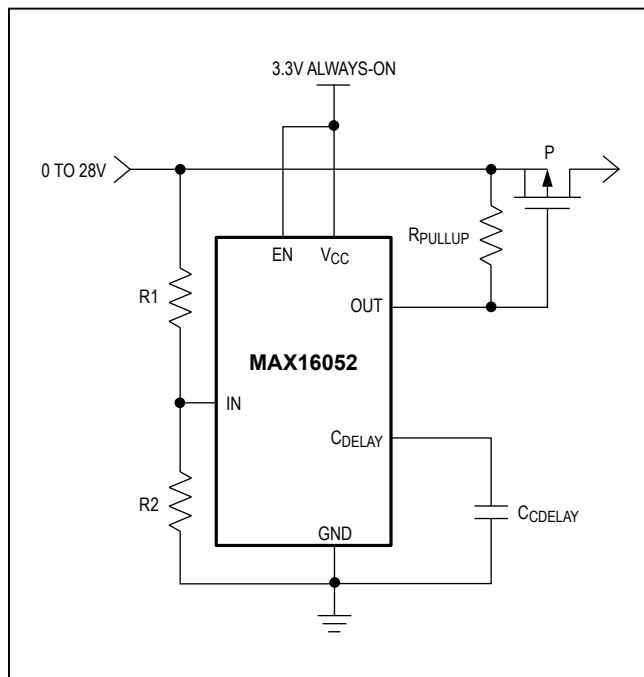


Figure 4. Overvoltage Protection

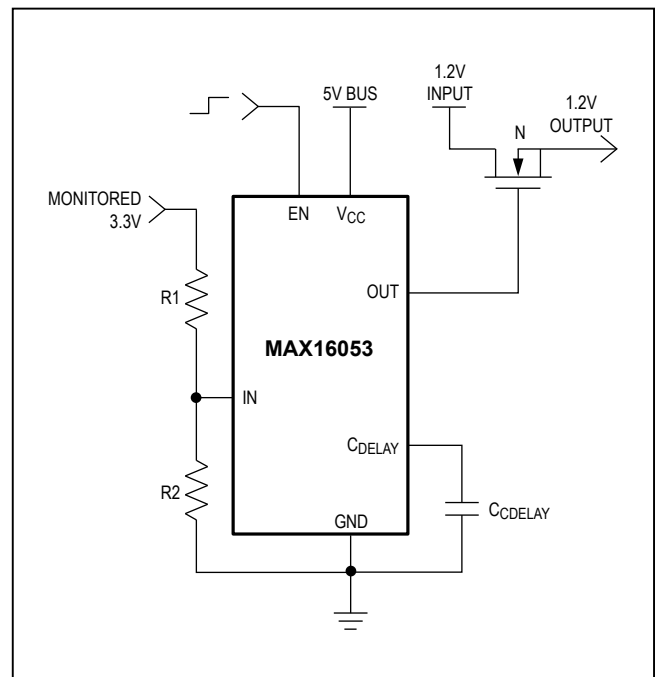


Figure 5. Low-Voltage Sequencing Using an nMOSFET

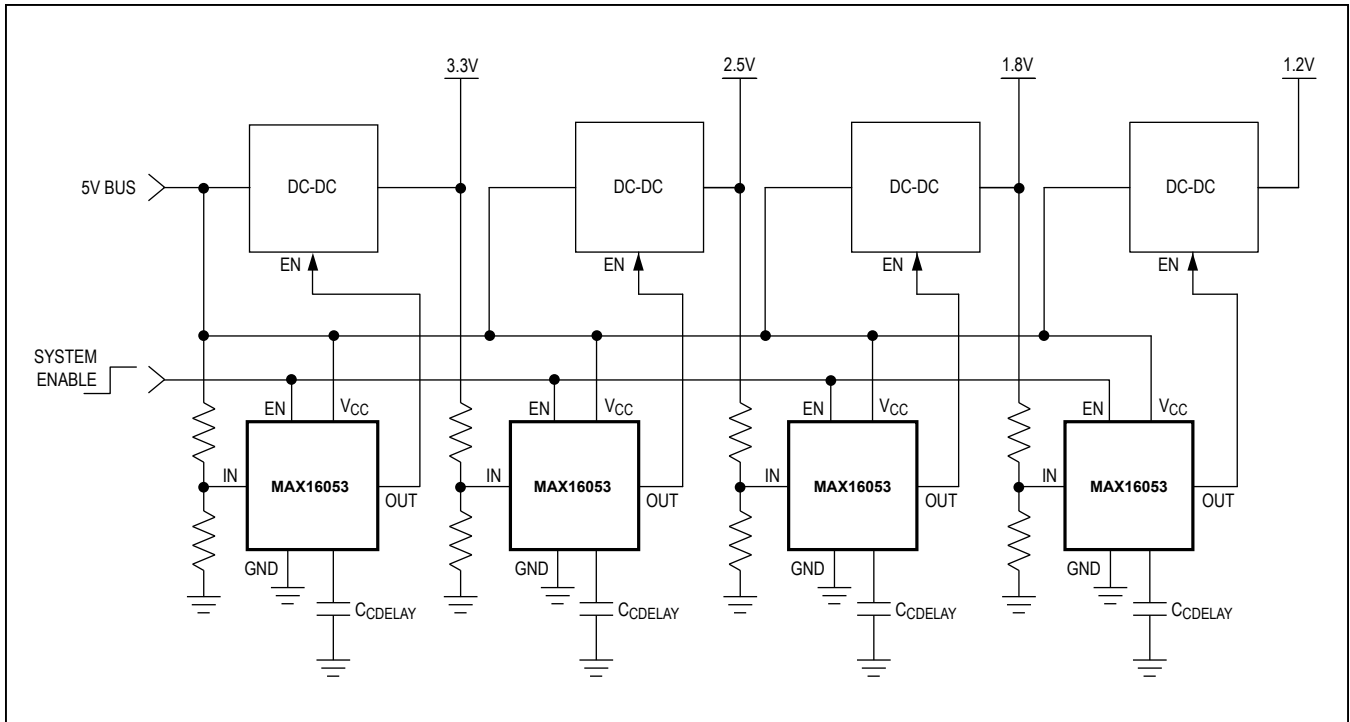


Figure 6. Multiple Output Sequencing

### Ordering Information

PART	OUTPUT	PIN-PACKAGE	TOP MARK
MAX16052AUT+T	Open-Drain	6 SOT23	+ACLW
MAX16053AUT+T	Push-Pull	6 SOT23	+ACLX

Note: All devices operate over the -40°C to +125°C operating automotive temperature range.

+Denotes a lead(Pb)-free/RoHS-compliant package.

T = Tape and reel, offered in 2.5k increments.

### Package Information

For the latest package outline information and land patterns (footprints), go to [www.maximintegrated.com/packages](http://www.maximintegrated.com/packages). Note that a "+", "#", or "-" in the package code indicates RoHS status only. Package drawings may show a different suffix character, but the drawing pertains to the package regardless of RoHS status.

PACKAGE TYPE	PACKAGE CODE	OUTLINE NO.	LAND PATTERN NO.
6 SOT23	U6+1	<a href="#">21-0058</a>	<a href="#">90-0175</a>

### Chip Information

PROCESS: BiCMOS

## Revision History

REVISION NUMBER	REVISION DATE	DESCRIPTION	PAGES CHANGED
0	5/08	Initial release	—
1	10/08	Update <i>Adjustable Delay (CDELAY)</i> and <i>Power-Supply Bypassing</i> sections.	9, 10
2	1/10	Revised the <i>Features</i> , <i>General Description</i> , <i>Absolute Maximum Ratings</i> , <i>Electrical Characteristics</i> , <i>Typical Operating Characteristics</i> , <i>Pin Description</i> , and the <i>Supply Input (VCC)</i> sections.	1, 2, 3, 5–8
3	4/14	No <i>I</i> V OPNs; removed Automotive reference from <i>Applications</i> section	1
4	5/15	Added the <i>Benefits and Features</i> section	1
5	3/16	Updated package outline drawing number in <i>Ordering Information</i> table	12
6	8/16	Updated Table 1	8

For pricing, delivery, and ordering information, please contact Maxim Direct at 1-888-629-4642, or visit Maxim Integrated's website at [www.maximintegrated.com](http://www.maximintegrated.com).

Maxim Integrated cannot assume responsibility for use of any circuitry other than circuitry entirely embodied in a Maxim Integrated product. No circuit patent licenses are implied. Maxim Integrated reserves the right to change the circuitry and specifications without notice at any time. The parametric values (min and max limits) shown in the *Electrical Characteristics* table are guaranteed. Other parametric values quoted in this data sheet are provided for guidance.

# Mouser Electronics

Authorized Distributor

Click to View Pricing, Inventory, Delivery & Lifecycle Information:

[Maxim Integrated:](#)

[MAX16052AUT+T](#) [MAX16053AUT+T](#)