

Low-Power, 14-Bit Analog-to-Digital Converters with Parallel Interface

General Description

The MAX1065/MAX1066 14-bit, low-power successive approximation analog-to-digital converters (ADCs) feature automatic power-down, a factory-trimmed internal clock, and a high-speed, 14-bit-wide (MAX1065) or byte-wide (MAX1066) parallel interface. The devices operate from a single 4.75V to 5.25V analog supply and a 2.7V to 5.25V digital supply.

The MAX1065/MAX1066 use an internal 4.096V reference or an external reference. The MAX1065/MAX1066 consume only 1.8mA at a sampling rate of 165ksps with external reference and 2.7mA with internal reference. AutoShutdown™ reduces supply current to 0.1mA at 10ksps.

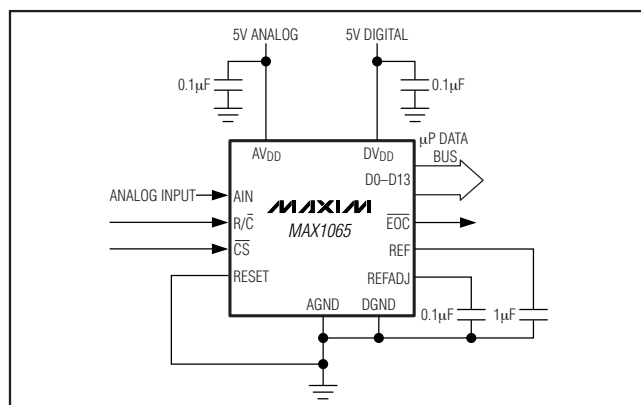
The MAX1065/MAX1066 are ideal for high-performance, battery-powered, data-acquisition applications. Excellent dynamic performance and low-power consumption in a small package make the MAX1065/MAX1066 the best choice for circuits with demanding power consumption and space requirements.

The 14-bit-wide MAX1065 is available in a 28-pin TSSOP package, and the byte-wide MAX1066 is available in a 20-pin TSSOP package. Both devices are available in either the 0°C to +70°C commercial, or the -40°C to +85°C extended temperature range.

Applications

| | |
|----------------------------|---------------------------|
| Temperature Sensor/Monitor | Cable/Harness Tester |
| Industrial Process Control | Accelerometer |
| I/O Boards | Measurements |
| Data-Acquisition Systems | Digital Signal Processing |

Typical Operating Circuit



Features

- ◆ 14-Bit-Wide (MAX1065) and Byte-Wide (MAX1066) Parallel Interface
- ◆ High Speed: 165ksps Sample Rate
- ◆ Accurate: ± 1 LSB DNL (max), ± 1 LSB INL (max)
- ◆ 4.096V, 35ppm/°C Internal Reference
- ◆ External Reference Range 3.8V to 5.25V
- ◆ Single 4.75V to 5.25V Analog Supply Voltage
- ◆ 2.7V to 5.25V Digital Supply Voltage
- ◆ Low Supply Current
 - 1.8mA (External Reference)
 - 2.7mA (Internal Reference)
 - 0.1mA AutoShutdown Mode (10ksps, External Reference)
- ◆ Small Footprint
 - 28-Pin TSSOP Package (14-Bit Wide)
 - 20-Pin TSSOP Package (Byte Wide)

Ordering Information

| PART | TEMP RANGE | PIN-PACKAGE | INL |
|-------------|----------------|-------------|---------|
| MAX1065ACUI | 0°C to 70°C | 28 TSSOP | ± 1 |
| MAX1065BCUI | 0°C to 70°C | 28 TSSOP | ± 2 |
| MAX1065CCUI | 0°C to 70°C | 28 TSSOP | ± 3 |
| MAX1065AEUI | -40°C to +85°C | 28 TSSOP | ± 1 |
| MAX1065BEUI | -40°C to +85°C | 28 TSSOP | ± 2 |
| MAX1065CEUI | -40°C to +85°C | 28 TSSOP | ± 3 |
| MAX1066ACUP | 0°C to 70°C | 20 TSSOP | ± 1 |
| MAX1066BCUP | 0°C to 70°C | 20 TSSOP | ± 2 |
| MAX1066CCUP | 0°C to 70°C | 20 TSSOP | ± 3 |
| MAX1066AEUP | -40°C to +85°C | 20 TSSOP | ± 1 |
| MAX1066BEUP | -40°C to +85°C | 20 TSSOP | ± 2 |
| MAX1066CEUP | -40°C to +85°C | 20 TSSOP | ± 3 |

Pin Configurations appear at end of data sheet.

AutoShutdown is a trademark of Maxim Integrated Products, Inc.

Low-Power, 14-Bit Analog-to-Digital Converters with Parallel Interface

ABSOLUTE MAXIMUM RATINGS

| | |
|---|------------------------------------|
| AV _{DD} to AGND | -0.3V to +6V |
| DV _{DD} to DGND | -0.3V to +6V |
| AGND to DGND | -0.3V to +0.3V |
| A _{IN} , REF, REFADJ to AGND | -0.3V to (AV _{DD} + 0.3V) |
| CS, HBEN, R/C, RESET to DGND | -0.3V to +6V |
| Digital Output (D13–D0, EOC) to DGND | -0.3V to (DV _{DD} + 0.3V) |
| Maximum Continuous Current Into Any Pin | 50mA |

| | |
|---|-----------------|
| Continuous Power Dissipation (T _A = +70°C) | |
| 20-Pin TSSOP (derate 10.9mW/°C above +70°C) | 879mW |
| 28-Pin TSSOP (derate 12.8mW/°C above +70°C) | 1026mW |
| Operating Temperature Ranges | |
| MAX106_CU | 0°C to +70°C |
| MAX106_EU | -40°C to +85°C |
| Storage Temperature Range | -65°C to +150°C |
| Junction Temperature | +150°C |
| Lead Temperature (soldering, 10s) | +300°C |

Stresses beyond those listed under "Absolute Maximum Ratings" may cause permanent damage to the device. These are stress ratings only, and functional operation of the device at these or any other conditions beyond those indicated in the operational sections of the specifications is not implied. Exposure to absolute maximum rating conditions for extended periods may affect device reliability.

ELECTRICAL CHARACTERISTICS

(AV_{DD} = DV_{DD} = 5V, external reference = 4.096V, C_{REF} = 1μF, C_{REFADJ} = 0.1μF, T_A = T_{MIN} to T_{MAX}, unless otherwise noted. Typical values are at T_A = +25°C.)

| PARAMETER | SYMBOL | CONDITIONS | MIN | TYP | MAX | UNITS |
|---|-----------------------------|--|-----|--------|------------------|--------|
| DC ACCURACY | | | | | | |
| Resolution | N | | 14 | | | Bits |
| Relative Accuracy (Note 1) | INL | MAX106_A | | | ±1 | LSB |
| | | MAX106_B | | | ±2 | |
| | | MAX106_C | | | ±3 | |
| Differential Nonlinearity | DNL | No missing codes over temperature | | | ±1 | LSB |
| Transition Noise | | RMS noise, includes quantization noise | | 0.32 | | LSBRMS |
| Offset Error | | | | 0.2 | 1 | mV |
| Gain Error | | (Note 2) | | ±0.002 | ±0.02 | %FSR |
| Offset Drift | | | | 0.6 | | ppm/°C |
| Gain Drift | | | | 0.2 | | ppm/°C |
| DYNAMIC PERFORMANCE (f_{IN(SINE-WAVE)} = 1kHz, V_{IN} = 4.096V_{p-p}, 165ksps) | | | | | | |
| Signal-to-Noise Plus Distortion | SINAD | | 81 | 84 | | dB |
| Signal-to-Noise Ratio | SNR | | 82 | 84 | | dB |
| Total Harmonic Distortion | THD | | | -99 | -86 | dB |
| Spurious-Free Dynamic Range | SFDR | | 87 | 102 | | dB |
| Full-Power Bandwidth | | -3dB point | | 4 | | MHz |
| Full-Linear Bandwidth | | SINAD > 81dB | | 20 | | kHz |
| CONVERSION RATE | | | | | | |
| Sample Rate | f _{SAMPLE} | | | | 165 | ksps |
| Aperture Delay | | | | 40 | | ns |
| Aperture Jitter | | | | 100 | | ps |
| ANALOG INPUT | | | | | | |
| Input Range | V _{A_{IN}} | | 0 | | V _{REF} | V |
| Input Capacitance | C _{A_{IN}} | | | 40 | | pF |

Low-Power, 14-Bit Analog-to-Digital Converters with Parallel Interface

MAX1065/MAX1066

ELECTRICAL CHARACTERISTICS (continued)

($V_{DD} = DV_{DD} = 5V$, external reference = 4.096V, $C_{REF} = 1\mu F$, $C_{REFADJ} = 0.1\mu F$, $T_A = T_{MIN}$ to T_{MAX} , unless otherwise noted. Typical values are at $T_A = +25^\circ C$.)

| PARAMETER | SYMBOL | CONDITIONS | MIN | TYP | MAX | UNITS |
|---|--------------|--|----------------------|----------------------|-----------------|-----------------|
| INTERNAL REFERENCE | | | | | | |
| REF Output Voltage | V_{REF} | | 4.056 | 4.096 | 4.136 | V |
| REF Output Tempco | TC_{REF} | | | ± 35 | | ppm/ $^\circ C$ |
| REF Short-Circuit Current | I_{REFSC} | | | ± 10 | | mA |
| Capacitive Bypass at REFADJ | C_{REFADJ} | | 0.1 | | | μF |
| Capacitive Bypass at REF | C_{REF} | | 1 | | | μF |
| REFADJ Input Leakage Current | I_{REFADJ} | | | 20 | | μA |
| EXTERNAL REFERENCE | | | | | | |
| REFADJ Buffer Disable Threshold | | To power-down the internal reference | $AV_{DD} - 0.4$ | | $AV_{DD} - 0.1$ | V |
| REF Input Voltage Range | | Internal reference disabled (Note 3) | 3.8 | | $AV_{DD} - 0.2$ | V |
| REF Input Current | I_{REF} | $V_{REF} = 4.096V$, $f_{SAMPLE} = 165ksps$ | | 14 | 25 | μA |
| | | Shutdown mode | | ± 0.1 | | |
| DIGITAL INPUTS/OUTPUTS (\overline{CS}, $\overline{R/C}$, \overline{EOC}, D0–D13, RESET, HBEN) | | | | | | |
| Input High Voltage | V_{IH} | | $0.7 \times DV_{DD}$ | | | V |
| Input Low Voltage | V_{IL} | | | $0.3 \times DV_{DD}$ | | |
| Input Leakage Current | I_{IN} | $V_{IH} = 0$ or DV_{DD} | | ± 0.1 | ± 1 | μA |
| Input Hysteresis | V_{HYST} | | | 0.1 | | V |
| Input Capacitance | C_{IN} | | | 15 | | pF |
| Output High Voltage | V_{OH} | $I_{SOURCE} = 0.5mA$, $DV_{DD} = 2.7V$ to $5.25V$, $AV_{DD} = 5.25V$ | $DV_{DD} - 0.4$ | | | V |
| Output Low Voltage | V_{OL} | $I_{SINK} = 1.6mA$, $DV_{DD} = 2.7V$ to $5.25V$, $AV_{DD} = 5.25V$ | | | 0.4 | V |
| Three-State Leakage Current | I_{OZ} | D0–D13 | | ± 0.1 | ± 10 | μA |
| Three-State Output Capacitance | C_{OZ} | | | 15 | | pF |
| POWER REQUIREMENTS | | | | | | |
| Analog Supply Voltage | AV_{DD} | | 4.75 | | 5.25 | V |
| Digital Supply Voltage | DV_{DD} | | 2.7 | | AV_{DD} | V |
| Analog Supply Current | I_{AVDD} | Internal reference | 165ksps | 3.2 | 3.6 | mA |
| | | | 100ksps | 2.6 | | |
| | | | 10ksps | 1.9 | | |
| | | | 1ksps | 1.8 | | |
| | | External reference | 165ksps | 2.4 | 2.8 | |
| | | | 100ksps | 1.8 | | |
| | | | 10ksps | 0.8 | | |
| | | | 1ksps | 0.2 | | |

Low-Power, 14-Bit Analog-to-Digital Converters with Parallel Interface

ELECTRICAL CHARACTERISTICS (continued)

($AV_{DD} = DV_{DD} = 5V$, external reference = 4.096V, $C_{REF} = 1\mu F$, $C_{REFADJ} = 0.1\mu F$, $T_A = T_{MIN}$ to T_{MAX} , unless otherwise noted. Typical values are at $T_A = +25^\circ C$.)

| PARAMETER | SYMBOL | CONDITIONS | | MIN | TYP | MAX | UNITS |
|---------------------------------------|------------|---|------------|-------|-----|---------|-------|
| Digital Supply Current | I_{DVDD} | D0–D13 = all zeros | 165ksps | 0.5 | 0.7 | mA | |
| | | | 100ksps | 0.3 | | | |
| | | | 10ksps | 0.03 | | | |
| | | | 1ksps | 0.003 | | | |
| Shutdown Supply Current (Note 4) | I_{SHDN} | Full power-down | I_{AVDD} | 0.05 | 5 | mA | |
| | | | I_{DVDD} | 0.5 | 6 | μA | |
| | | REF and REF buffer enabled (standby mode) | I_{AVDD} | 1.0 | 1.2 | mA | |
| | | | I_{DVDD} | 0.5 | 5 | μA | |
| Power-Supply Rejection Ratio (Note 5) | PSRR | $AV_{DD} = 5V$, $\pm 5\%$, full-scale input | | 68 | | dB | |

TIMING CHARACTERISTICS (Figures 1 and 2)

($AV_{DD} = 4.75V$ to $5.25V$, $DV_{DD} = 2.7V$ to AV_{DD} , external reference = 4.096V, $C_{REF} = 1\mu F$, $C_{REFADJ} = 0.1\mu F$, C_{D13-D0} , $C_{EOC} = 20pF$, $T_A = T_{MIN}$ to T_{MAX} , unless otherwise noted. Typical values are at $T_A = +25^\circ C$.)

| PARAMETER | SYMBOL | CONDITIONS | | MIN | TYP | MAX | UNITS |
|---|------------|-------------------------------|-------------------------------|-----|-----|-----|---------|
| Acquisition Time | t_{ACQ} | | | 1.1 | | | μs |
| Conversion Time | t_{CONV} | | | | | 4.7 | |
| \overline{CS} Pulse Width High | t_{CSH} | (Note 6) | | 40 | | | ns |
| \overline{CS} Pulse Width Low | t_{CSL} | (Note 6) | $V_{DVDD} = 4.75V$ to $5.25V$ | 40 | | | ns |
| | | | $V_{DVDD} = 2.7V$ to $4.74V$ | 60 | | | |
| R/\overline{C} to \overline{CS} Fall Setup Time | t_{DS} | | | 0 | | | ns |
| R/\overline{C} to \overline{CS} Fall Hold Time | t_{DH} | $V_{DVDD} = 4.75V$ to $5.25V$ | | 40 | | | ns |
| | | $V_{DVDD} = 2.7V$ to $5.25V$ | | 60 | | | |
| \overline{CS} to Output Data Valid | t_{DO} | $V_{DVDD} = 4.75V$ to $5.25V$ | | | | 40 | ns |
| | | $V_{DVDD} = 2.7V$ to $4.74V$ | | | | 80 | |
| HBEN Transition To Output Data Valid (MAX1066 only) | t_{DO1} | $V_{DVDD} = 4.75V$ to $5.25V$ | | | | 40 | ns |
| | | $V_{DVDD} = 2.7V$ to $4.74V$ | | | | 80 | |
| \overline{EOC} Fall To \overline{CS} Fall | t_{DV} | | | 0 | | | ns |
| \overline{CS} Rise To \overline{EOC} Rise | t_{EOC} | $V_{DVDD} = 4.75V$ to $5.25V$ | | | | 40 | ns |
| | | $V_{DVDD} = 2.7V$ to $4.74V$ | | | | 80 | |
| Bus Relinquish Time (Note 6) | t_{BR} | $V_{DVDD} = 4.75V$ to $5.25V$ | | | | 40 | ns |
| | | $V_{DVDD} = 2.7V$ to $4.74V$ | | | | 80 | |

Note 1: Relative accuracy is the deviation of the analog value at any code from its theoretical value after offset and gain errors have been removed.

Note 2: Offset nulled.

Note 3: Guaranteed by design, not production tested.

Note 4: Maximum specification is limited by automated test equipment.

Note 5: Defined as the change in positive full scale caused by a $\pm 5\%$ variation in the nominal supply.

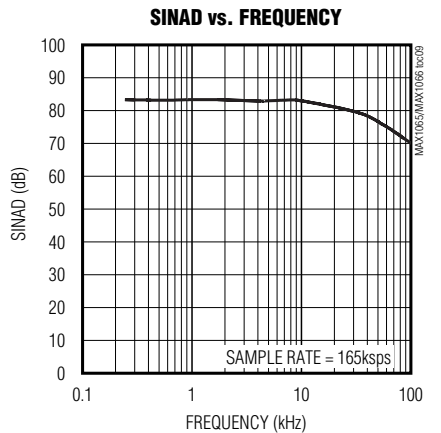
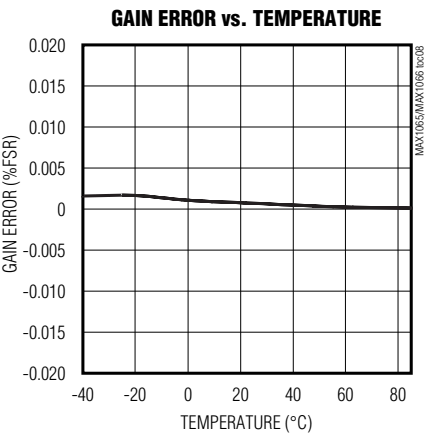
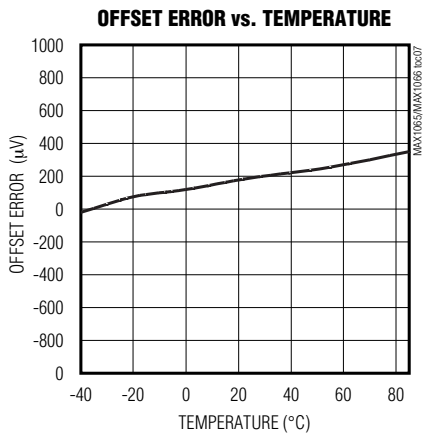
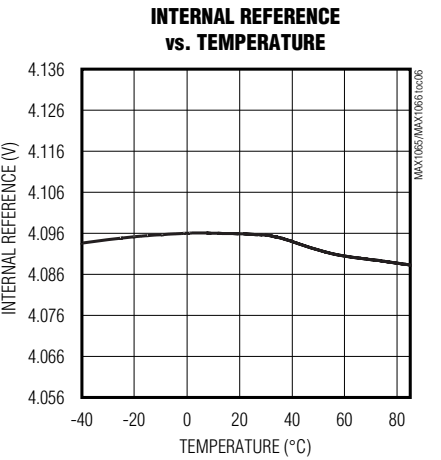
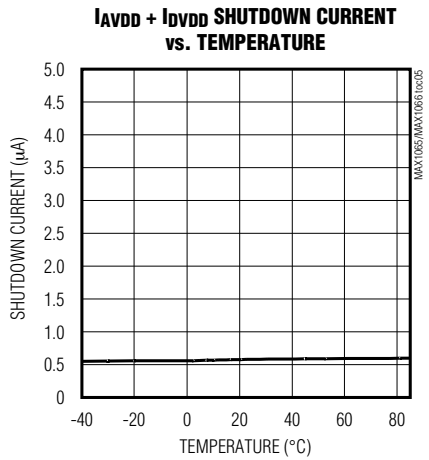
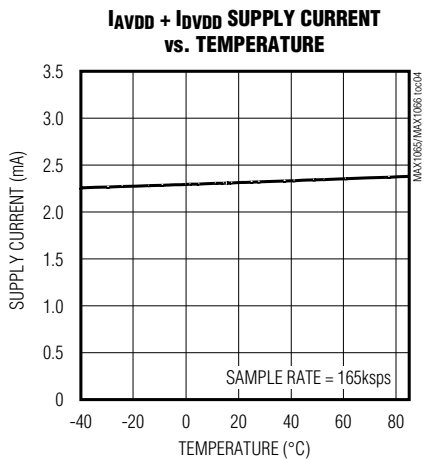
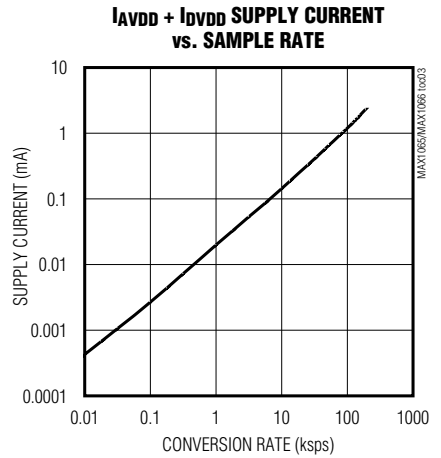
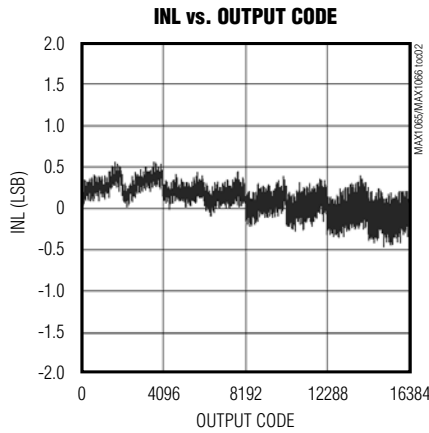
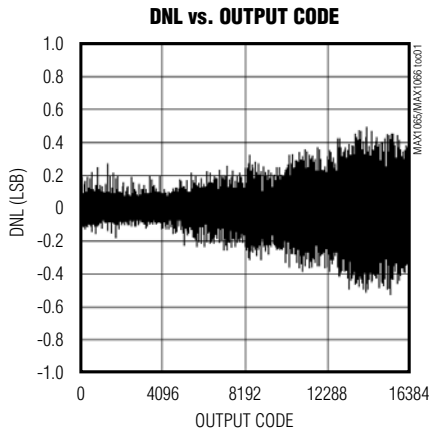
Note 6: To ensure best performance, finish reading the data and wait t_{BR} before starting a new acquisition.

Low-Power, 14-Bit Analog-to-Digital Converters with Parallel Interface

Typical Operating Characteristics

($V_{DD} = DV_{DD} = 5V$, external reference = 4.096V, $C_{REF} = 1\mu F$, $C_{REFADJ} = 0.1\mu F$, $T_A = +25^\circ C$, unless otherwise noted.)

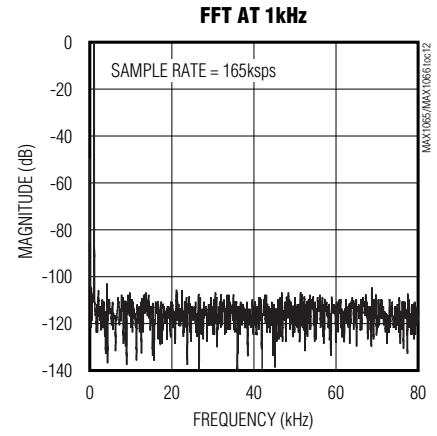
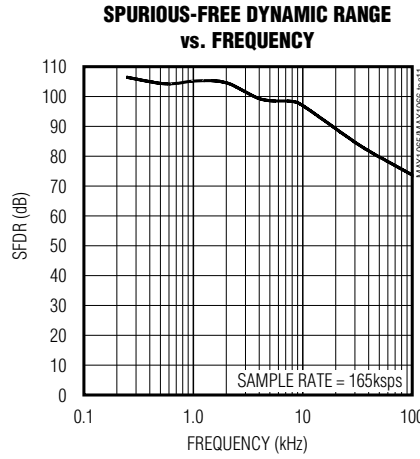
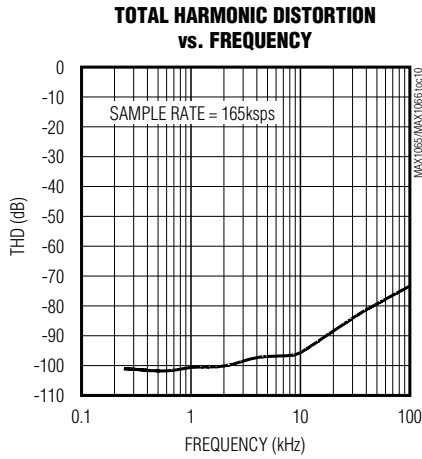
MAX1065/MAX1066



Low-Power, 14-Bit Analog-to-Digital Converters with Parallel Interface

Typical Operating Characteristics (continued)

(AVDD = DVDD = 5V, external reference = 4.096V, CREF = 1μF, CREFADJ = 0.1μF, TA = +25°C, unless otherwise noted.)



Pin Description

| PIN | | NAME | | FUNCTION |
|---------|---------|---------|---------|--|
| MAX1065 | MAX1066 | MAX1065 | MAX1066 | |
| 1 | 1 | D6 | D4/D12 | Three-State Digital Data Output |
| 2 | 2 | D7 | D5/D13 | Three-State Digital Data Output. D13 is the MSB. |
| 3 | 3 | D8 | D6/0 | Three-State Digital Data Output |
| 4 | 4 | D9 | D7/0 | Three-State Digital Data Output |
| 5 | — | D10 | — | Three-State Digital Data Output |
| 6 | — | D11 | — | Three-State Digital Data Output |
| 7 | — | D12 | — | Three-State Digital Data Output |
| 8 | — | D13 | — | Three-State Digital Data Output (MSB) |
| 9 | 5 | R/C | | Read/Convert Input. Power up and put the MAX1065/MAX1066 in acquisition mode by holding R/C low during the first falling edge of CS. During the second falling edge of CS the level on R/C determines whether the reference and reference buffer power down or remain on after conversion. Set R/C high during the second falling edge of CS to power down the reference and buffer, or set R/C low to leave the reference and buffer powered up. Set R/C high during the third falling edge of CS to put valid data on the bus. |
| 10 | 6 | EOC | | End Of Conversion. EOC drives low when conversion is complete. |
| 11 | 7 | AVDD | | Analog Supply Input. Bypass with a 0.1μF capacitor to AGND. |
| 12 | 8 | AGND | | Analog Ground. Primary analog ground (star ground). |
| 13 | 9 | AIN | | Analog Input |
| 14 | 10 | AGND | | Analog Ground. Connect Pin 14 to Pin 12 (MAX1065). Connect Pin 10 to Pin 8 (MAX1066). |

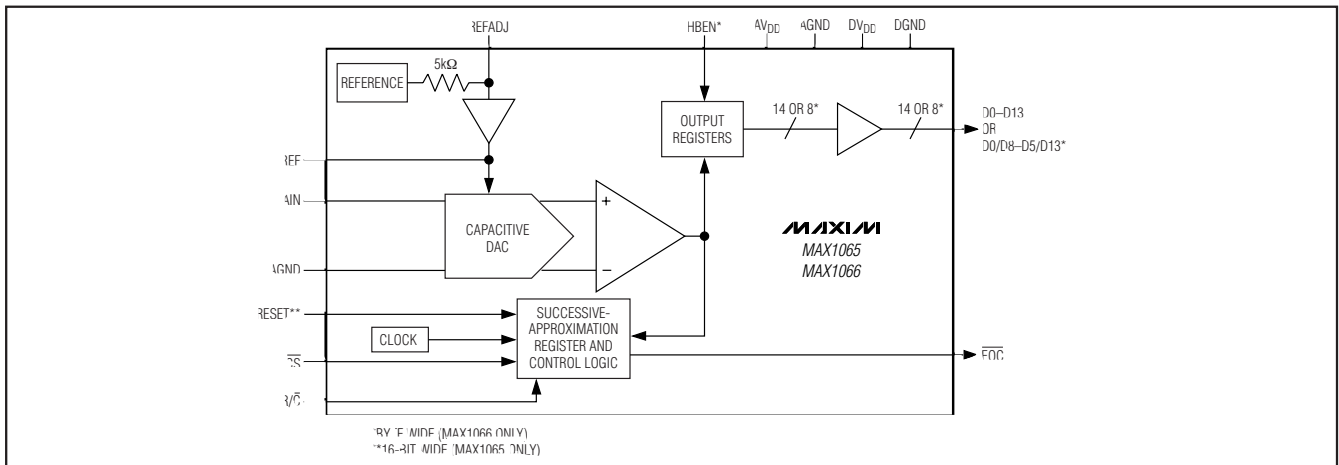
Low-Power, 14-Bit Analog-to-Digital Converters with Parallel Interface

MAX1065/MAX1066

Pin Description (continued)

| PIN | | NAME | | FUNCTION |
|---------|---------|------------------|---------|---|
| MAX1065 | MAX1066 | MAX1065 | MAX1066 | |
| 15 | 11 | REFADJ | | Reference Buffer Output. Bypass REFADJ with a 0.1μF capacitor to AGND for internal reference mode. Connect REFADJ to AV _{DD} to select external reference mode. |
| 16 | 12 | REF | | Reference Input/Output. Bypass REF with a 1μF capacitor to AGND for internal reference mode. External reference input when in external reference mode. |
| 17 | — | RESET | | Reset Input. Logic high resets the device. |
| — | 13 | HBEN | | High Byte-Enable Input. Used to multiplex the 14-bit conversion result. 1: Most significant byte available on the data bus. 0: Least significant byte available on the data bus. |
| 18 | 14 | \overline{CS} | | Convert Start. The first falling edge of \overline{CS} powers up the device and enables acquire mode when R/ \overline{C} is low. The second falling edge of \overline{CS} starts conversion. The third falling edge of \overline{CS} loads the result onto the bus when R/ \overline{C} is high. |
| 19 | 15 | DGND | | Digital Ground |
| 20 | 16 | DV _{DD} | | Digital Supply Voltage. Bypass with a 0.1μF capacitor to DGND. |
| 21 | 17 | N.C. | D0/D8 | No Connection. Do Not Connect (MAX1065). Three-State Digital Data Output (MAX1066). |
| 22 | 18 | N.C. | D1/D9 | No Connection. Do Not Connect (MAX1065). Three-State Digital Data Output (MAX1066). |
| 23 | 19 | D0 | D2/D10 | Three-State Digital Data Output |
| 24 | 20 | D1 | D3/D11 | Three-State Digital Data Output |
| 25 | — | D2 | — | Three-State Digital Data Output |
| 26 | — | D3 | — | Three-State Digital Data Output |
| 27 | — | D4 | — | Three-State Digital Data Output |
| 28 | — | D5 | — | Three-State Digital Data Output |

Functional Diagram



Low-Power, 14-Bit Analog-to-Digital Converters with Parallel Interface

Detailed Description

Converter Operation

The MAX1065/MAX1066 use a successive-approximation (SAR) conversion technique with an inherent track-and-hold (T/H) stage to convert an analog input into a 14-bit digital output. Parallel outputs provide a high-speed interface to most microprocessors (μ Ps). The *Functional Diagram* shows a simplified internal architecture of the MAX1065/MAX1066. Figure 3 shows a typical application circuit for the MAX1066.

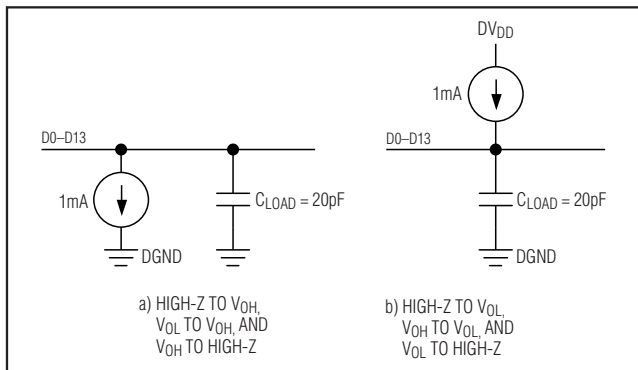


Figure 1. Load Circuits for D0-D13 Enable Time, \overline{CS} to D0-D13 Delay Time and Bus Relinquish Time

Analog Input

The equivalent input circuit is shown in Figure 4. A switched capacitor digital-to-analog converter (DAC) provides an inherent track-and-hold function. The single-ended input is connected between AIN and AGND.

Input Bandwidth

The ADC's input-tracking circuitry has a 4MHz small-signal bandwidth, so it is possible to digitize high-speed transient events and measure periodic signals with bandwidths exceeding the ADC's sampling rate by using undersampling techniques. To avoid aliasing of unwanted high-frequency signals into the frequency band of interest, use antialias filtering.

Internal protection diodes, which clamp the analog input to AV_{DD} and/or AGND, allow the input to swing from AGND - 0.3V to AV_{DD} + 0.3V, without damaging the device.

If the analog input exceeds 300mV beyond the supplies, limit the input current to 10mA.

Track and Hold (T/H)

In track mode, the analog signal is acquired on the internal hold capacitor. In hold mode, the T/H switches open and the capacitive DAC samples the analog input.

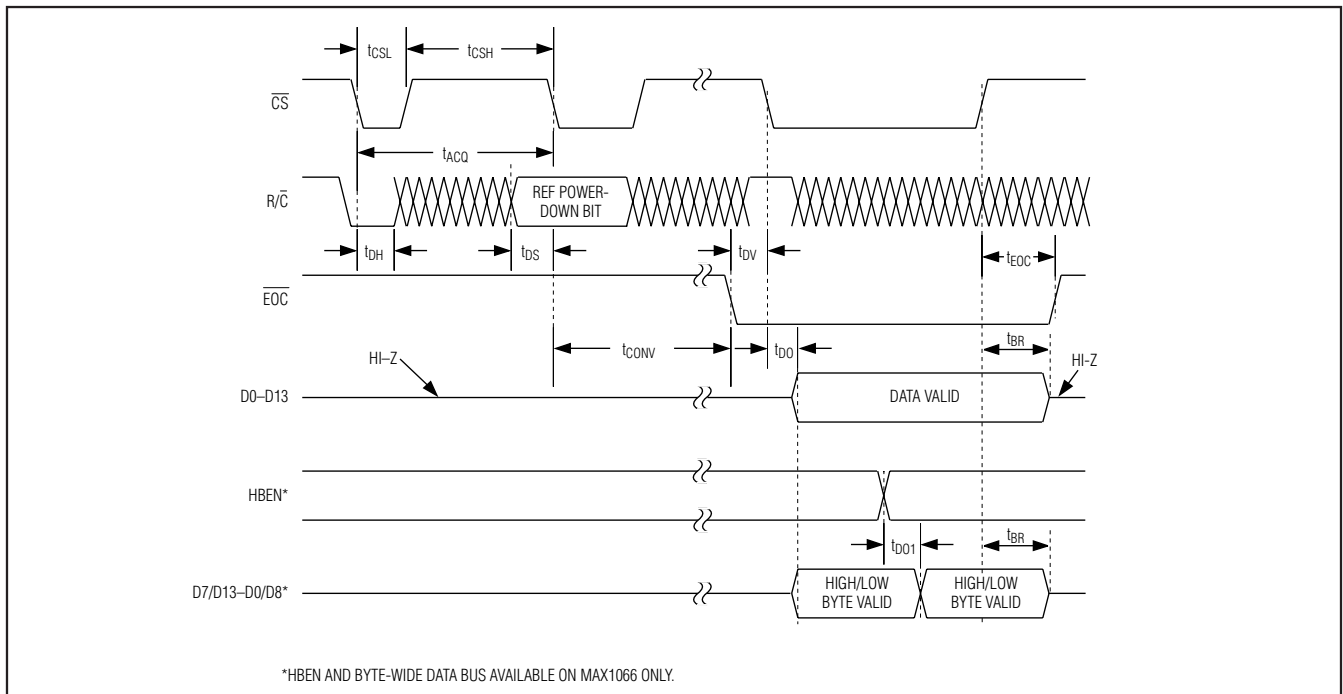


Figure 2. MAX1065/MAX1066 Timing Diagram

Low-Power, 14-Bit Analog-to-Digital Converters with Parallel Interface

During the acquisition, the analog input (AIN) charges capacitor C_{DAC} . The acquisition ends on the second falling edge of \overline{CS} . At this instant, the T/H switches open. The retained charge on C_{DAC} represents a sample of the input.

In hold mode, the capacitive DAC adjusts during the remainder of the conversion time to restore node ZERO to zero within the limits of 14-bit resolution. At the end of the conversion, force \overline{CS} low to put valid data on the bus.

The time required for the T/H to acquire an input signal is a function of how quickly its input capacitance is charged. If the input signal's source impedance is high, the acquisition time lengthens and more time must be allowed between conversions. The acquisition time (t_{ACQ}) is the maximum time the device takes to acquire the signal. Use the following formula to calculate acquisition time:

$$t_{ACQ} = 11(R_S + R_{IN}) \times 35\text{pF}$$

where $R_{IN} = 800\Omega$, R_S = the input signal's source impedance, and t_{ACQ} is never less than $1.1\mu\text{s}$. A source impedance less than $1\text{k}\Omega$ does not significantly affect the ADC's performance.

To improve the input-signal bandwidth under AC conditions, drive AIN with a wideband buffer ($>4\text{MHz}$) that can drive the ADC's input capacitance and settle quickly.

Power-Down Modes

Select standby mode or shutdown mode with the R/\overline{C} bit during the second falling edge of \overline{CS} (see *Selecting Standby or Shutdown Mode* section). The MAX1065/MAX1066 automatically enter either standby mode, reference and buffer on, or shutdown, reference and buffer off, after each conversion depending on the status of R/\overline{C} during the second falling edge of \overline{CS} .

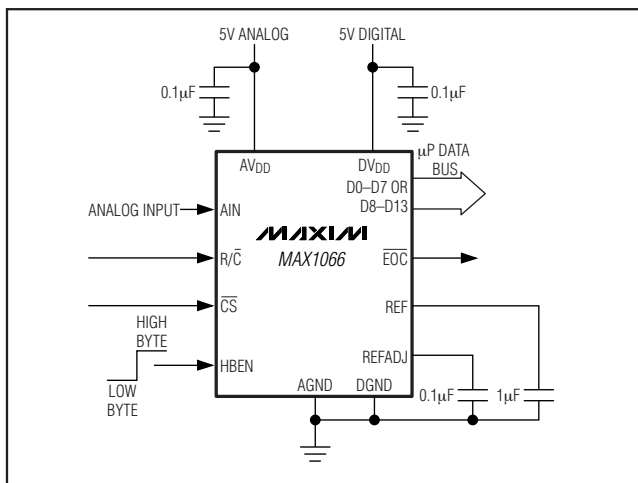


Figure 3. Typical Application Circuit for MAX1066

Internal Clock

The MAX1065/MAX1066 generate an internal conversion clock. This frees the microprocessor from the burden of running the SAR conversion clock. Total conversion time after entering hold mode (second falling edge of \overline{CS}) to end-of-conversion (\overline{EOC}) falling is $4.7\mu\text{s}$ (max).

Applications Information

Starting a Conversion

\overline{CS} and R/\overline{C} control acquisition and conversion in the MAX1065/MAX1066 (Figure 2). The first falling edge of \overline{CS} powers up the device and puts it into acquisition mode if R/\overline{C} is low. The convert start is ignored if R/\overline{C} is high. When powering up from shutdown, the MAX1065/MAX1066 needs at least 10ms ($C_{REFADJ} = 0.1\mu\text{F}$, $C_{REF} = 1\mu\text{F}$) for the internal reference to wake up and settle before starting the conversion. The ADC may wake up from shutdown to an unknown state. Put the ADC in a known state by completing one "dummy" conversion. The MAX1065/MAX1066 will be in a known state, ready for actual data acquisition, after the completion of the dummy conversion. A dummy conversion consists of one full conversion cycle.

The MAX1065 provides an alternative reset function to reset the device (see *RESET* section).

Selecting Standby or Shutdown Mode

The MAX1065/MAX1066 have a selectable standby or low-power shutdown mode. In standby mode, the ADC's internal reference and reference buffer do not power down between conversions, eliminating the need to wait for the reference to power up before performing the next conversion. Shutdown mode powers down the reference and reference buffer after completing a conversion. Supply current is greatly reduced when in shutdown mode. The reference and reference buffer require a minimum of 10ms ($C_{REFADJ} = 0.1\mu\text{F}$, $C_{REF} = 1\mu\text{F}$) to power up and settle from shutdown.

The state of R/\overline{C} at the second falling edge of \overline{CS} selects which power-down mode the MAX1065/MAX1066 enters upon conversion completion. Holding R/\overline{C} low causes the MAX1065/MAX1066 to enter standby mode. The reference and buffer are left on after the conversion completes. R/\overline{C} high causes the MAX1065/MAX1066 to enter shutdown mode and shut down the reference and buffer after conversion (Figures 5 and 6).

When using an external reference, set the REF power-down bit high for lowest current operation.

Low-Power, 14-Bit Analog-to-Digital Converters with Parallel Interface

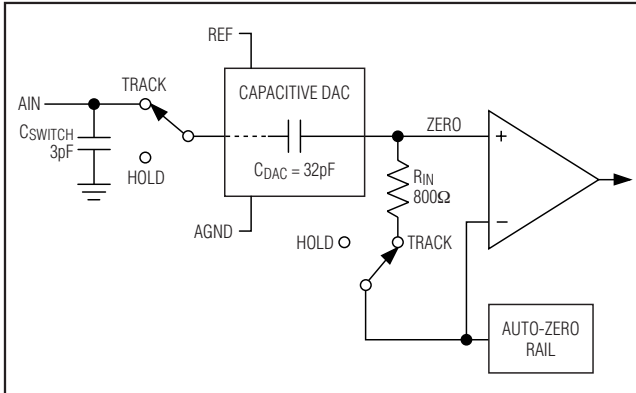


Figure 4. Equivalent Input Circuit

Standby Mode

While in standby mode, the supply current is reduced to less than 1mA (typ). The next falling edge of \overline{CS} with R/\overline{C} low causes the MAX1065/MAX1066 to exit standby mode and begin acquisition. The reference and reference buffer remain active to allow quick turn-on time. Standby mode allows significant power savings while running at the maximum sample rate.

Shutdown Mode

In shutdown mode, the reference and reference buffer are shut down between conversions. Shutdown mode reduces supply current to 0.5μA (typ) immediately after the conversion. The falling edge of \overline{CS} with R/\overline{C} low causes the reference and buffer to wake up and enter acquisition mode. To achieve 14-bit accuracy, allow 10ms ($C_{REFADJ} = 0.1\mu\text{F}$, $C_{REF} = 1\mu\text{F}$) for the internal reference to wake up. Increase wakeup time proportionally when using larger values of C_{REFADJ} and C_{REF} .

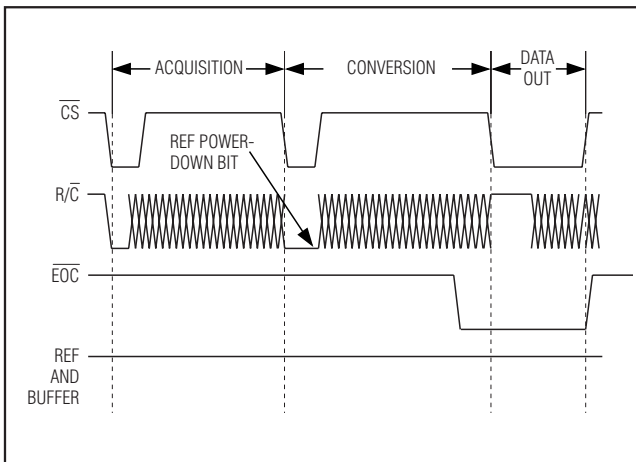


Figure 5. Selecting Standby Mode

Internal and External Reference

Internal Reference

The internal reference of the MAX1065/MAX1066 is internally buffered to provide 4.096V (typ) output at REF. Bypass REF to AGND and REFADJ to AGND with 1μF and 0.1μF respectively. Fine adjustments can be made to the internal reference voltage by sinking or sourcing current at REFADJ. The input impedance at REFADJ is nominally 5kΩ. The internal reference voltage is adjustable to ±1.5% with the circuit of Figure 7.

External Reference

An external reference can be placed at either the input (REFADJ) or the output (REF) of the MAX1065/MAX1066's internal buffer amplifier. When connecting an external reference to REFADJ, the input impedance is typically 5kΩ. Using the buffered REFADJ input makes buffering the external reference unnecessary; however, the internal buffer output must be bypassed at REF with a 1μF capacitor.

Connect REFADJ to AVDD to disable the internal buffer. Directly drive REF using an external reference. During conversion, the external reference must be able to drive 100μA of DC load current and have an output impedance of 10Ω or less. REFADJ's impedance is typically 5kΩ. The DC input impedance of REF is 40kΩ minimum.

For optimal performance, buffer the reference through an op amp and bypass REF with a 1μF capacitor. Consider the MAX1065/MAX1066's equivalent input noise (80μVRMS) when choosing a reference.

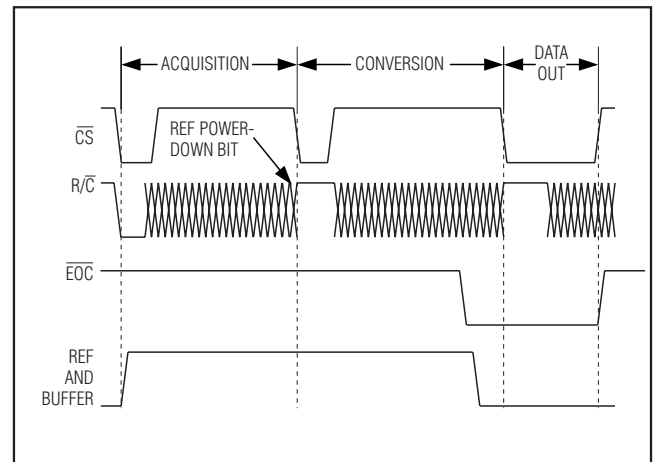


Figure 6. Selecting Shutdown Mode

Low-Power, 14-Bit Analog-to-Digital Converters with Parallel Interface

MAX1065/MAX1066

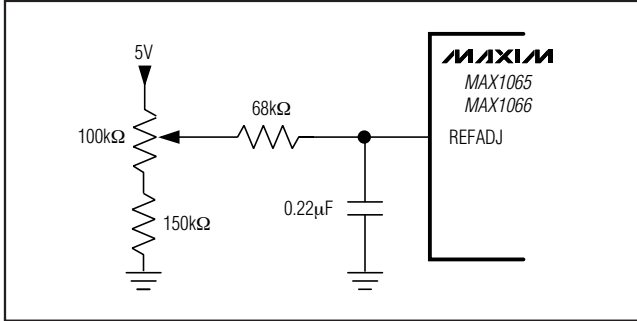


Figure 7. MAX1065/MAX1066 Reference Adjust Circuit

Reading the Conversion Result

\overline{EOC} is provided to flag the microprocessor when a conversion is complete. The falling edge of \overline{EOC} signals that the data is valid and ready to be output to the bus.

D0–D13 are the parallel outputs of the MAX1065/MAX1066. These three-state outputs allow for direct connection to a microcontroller I/O bus. The outputs remain high-impedance during acquisition and conversion. Data is loaded onto the bus with the third falling edge of \overline{CS} with R/\overline{CS} high after t_{DONS} . Bringing \overline{CS} high forces the output bus back to high-impedance. The MAX1065/MAX1066 then waits for the next falling edge of \overline{CS} to start the next conversion cycle (Figure 2).

The MAX1065 loads the conversion result onto a 14-bit-wide data bus while the MAX1066 has a byte-wide output format. HBEN toggles the output between the most/least significant byte. The least significant byte is loaded onto the output bus when HBEN is low and the most significant byte is on the bus when HBEN is high (Figure 2).

RESET

Toggle RESET with \overline{CS} high. The next falling edge of \overline{CS} will begin acquisition. This reset is an alternative to the dummy conversion explained in the *Starting a Conversion* section.

Transfer Function

Figure 8 shows the MAX1065/MAX1066 output transfer function. The output is coded in standard binary.

Input Buffer

Most applications require an input buffer amplifier to achieve 14-bit accuracy. If the input signal is multiplexed, the input channel should be switched immediately after acquisition, rather than near the end of or after a conversion. This allows more time for the input buffer amplifier to respond to a large step-change in input signal. The input amplifier must have a high enough slew rate to complete

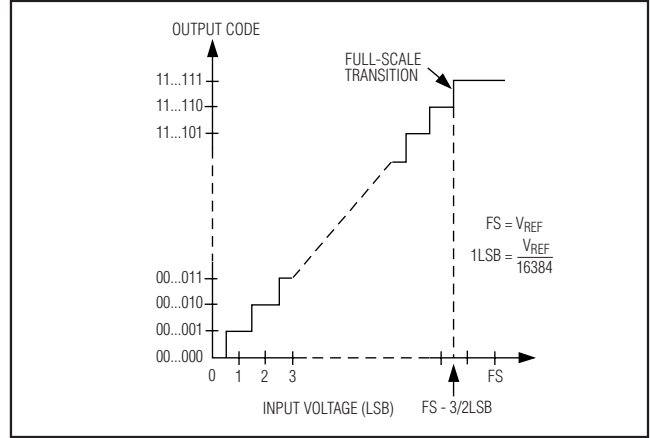


Figure 8. MAX1065/MAX1066 Transfer Function

the required output voltage change before the beginning of the acquisition time. At the beginning of acquisition, the internal sampling capacitor array connects to AIN (the amplifier output) causing some output disturbance. Ensure that the sampled voltage has settled to within the required limits before the end of the acquisition time. If the frequency of interest is low, AIN can be bypassed with a large enough capacitor to charge the internal sampling capacitor with very little ripple. However, for AC use, AIN must be driven by a wideband buffer (at least 10MHz), which must be stable with the ADC's capacitive load (in parallel with any AIN bypass capacitor used) and also settle quickly. An example of this circuit using the MAX4434 is given in Figure 9.

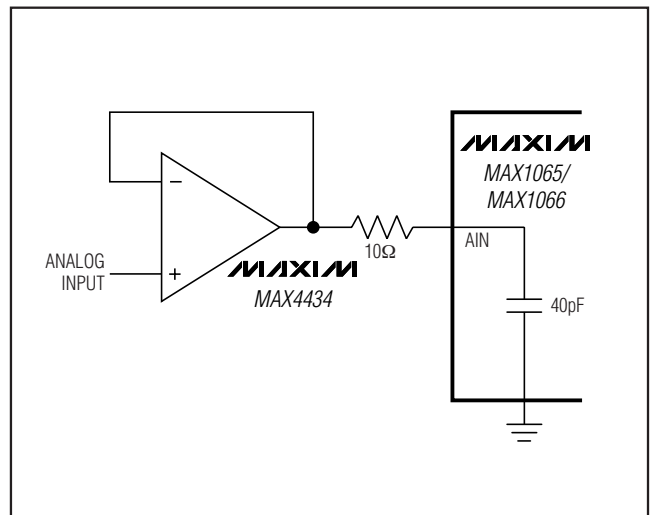


Figure 9. MAX1065/MAX1066 Fast Settling Input Buffer

Low-Power, 14-Bit Analog-to-Digital Converters with Parallel Interface

Layout, Grounding, and Bypassing

For best performance, use printed circuit boards. Do not run analog and digital lines parallel to each other, and do not lay out digital signal paths underneath the ADC package. Use separate analog and digital ground planes with only one point connecting the two ground systems (analog and digital) as close to the device as possible.

Route digital signals far away from sensitive analog and reference inputs. If digital lines must cross analog lines, do so at right angles to minimize coupling digital noise onto the analog lines. If the analog and digital sections share the same supply, then isolate the digital and analog supply by connecting them with a low-value (10Ω) resistor or ferrite bead.

The ADC is sensitive to high-frequency noise on the AVDD supply. Bypass AVDD to AGND with a 0.1μF capacitor in parallel with a 1μF to 10μF low-ESR capacitor and the smallest capacitor closest to the device. Keep capacitor leads short to minimize stray inductance.

Definitions

Integral Nonlinearity

Integral nonlinearity (INL) is the deviation of the values on an actual transfer function from a straight line. This straight line can be either a best-straight-line fit or a line drawn between the end points of the transfer function, once offset and gain errors have been nullified. The static linearity parameters for the MAX1065/MAX1066 are measured using the end-point method.

Differential Nonlinearity

Differential nonlinearity (DNL) is the difference between an actual step width and the ideal value of 1LSB. A DNL error specification of 1LSB guarantees no missing codes and a monotonic transfer function.

Aperture Jitter and Delay

Aperture jitter is the sample-to-sample variation in the time between samples. Aperture delay is the time between the rising edge of the sampling clock and the instant when the actual sample is taken.

Signal-to-Noise Ratio

For a waveform perfectly reconstructed from digital samples, signal-to-noise ratio (SNR) is the ratio of the full-scale analog input (RMS value) to the RMS quantization error (residual error). The ideal, theoretical minimum analog-to-digital noise is caused by quantization noise error only and results directly from the ADC's resolution (N-bits):

$$\text{SNR} = (6.02 \times N + 1.76)\text{dB}$$

where N = 14 bits.

In reality, there are other noise sources besides quantization noise: thermal noise, reference noise, clock jitter, etc. SNR is computed by taking the ratio of the RMS signal to the RMS noise, which includes all spectral components minus the fundamental, the first five harmonics, and the DC offset.

Signal-to-Noise Plus Distortion

Signal-to-noise plus distortion (SINAD) is the ratio of the fundamental input frequency's RMS amplitude to the RMS equivalent of all the other ADC output signals.

$$\text{SINAD(dB)} = 20 \times \log \left[\frac{\text{Signal}_{\text{RMS}}}{(\text{Noise} + \text{Distortion})_{\text{RMS}}} \right]$$

Effective Number of Bits

Effective number of bits (ENOB) indicates the global accuracy of an ADC at a specific input frequency and sampling rate. An ideal ADC's error consists of quantization noise only. With an input range equal to the full-scale range of the ADC, calculate the effective number of bits as follows:

$$\text{ENOB} = \frac{\text{SINAD} - 1.76}{6.02}$$

Total Harmonic Distortion

Total harmonic distortion (THD) is the ratio of the RMS sum of the first five harmonics of the input signal to the fundamental itself. This is expressed as:

$$\text{THD} = 20 \times \log \left[\frac{\left(\sqrt{V_2^2 + V_3^2 + V_4^2 + V_5^2} \right)}{V_1} \right]$$

where V₁ is the fundamental amplitude and V₂ through V₅ are the 2nd- through 5th-order harmonics.

Spurious-Free Dynamic Range

Spurious-free dynamic range (SFDR) is the ratio of the RMS amplitude of the fundamental (maximum signal component) to the RMS value of the next largest frequency component.

Chip Information

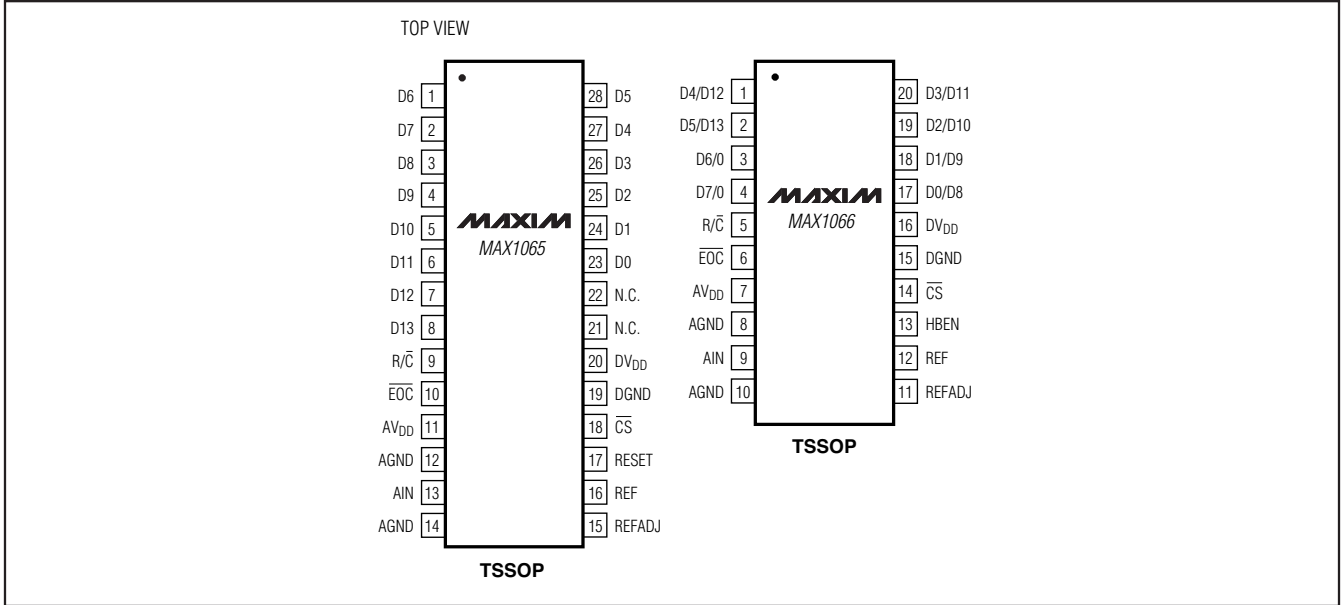
TRANSISTOR COUNT: 15,140

PROCESS: BiCMOS

Low-Power, 14-Bit Analog-to-Digital Converters with Parallel Interface

Pin Configurations

MAX1065/MAX1066



Package Information

For the latest package outline information and land patterns, go to www.maxim-ic.com/packages. Note that a "+", "#", or "-" in the package code indicates RoHS status only. Package drawings may show a different suffix character, but the drawing pertains to the package regardless of RoHS status.

| PACKAGE TYPE | PACKAGE CODE | DOCUMENT NO. |
|--------------|--------------|-------------------------|
| 28 SSOP | U28-1 | 21-0066 |
| 20 SSOP | U20-2 | 21-0066 |

Low-Power, 14-Bit Analog-to-Digital Converters with Parallel Interface

Revision History

| REVISION NUMBER | REVISION DATE | DESCRIPTION | PAGES CHANGED |
|-----------------|---------------|---|---------------|
| 0 | 4/02 | Initial release | — |
| 1 | 6/09 | Modified specifications to include reference buffer | 3, 4 |

Maxim cannot assume responsibility for use of any circuitry other than circuitry entirely embodied in a Maxim product. No circuit patent licenses are implied. Maxim reserves the right to change the circuitry and specifications without notice at any time.

14 **Maxim Integrated Products, 120 San Gabriel Drive, Sunnyvale, CA 94086 408-737-7600**