

MIL-S-19500/102A

29 December 1966

SUPERSEDING

MIL-S-19500/102 (NAVY)

19 July 1962

(See 6.2)

## MILITARY SPECIFICATION

## SEMICONDUCTOR DEVICE, TRANSISTORS, NPN, SILICON, HIGH-POWER

## TYPES 2N1016B, 2N1016C, AND 2N1016D

This specification is mandatory for use by all Departments and Agencies of the Department of Defense.

## 1. SCOPE

1.1 Scope. This specification covers the detail requirements for a high-power, NPN, silicon transistor.

1.2 Physical dimensions. See figure 1.

1.3 Maximum ratings.

Type	$P_C \frac{1}{T_C = 45^\circ C}$	$V_{CB0}$	$V_{EBO}$	$V_{CEO}$	$I_C$	$T_{stg}$	$T_J$
	W	Vdc	Vdc	Vdc	Adc	$^\circ C$	$^\circ C$
2N1016B	150	100	25	100	7.5	-65 to +150	+150
2N1016C	150	150	25	150	7.5	-65 to +150	+150
2N1016D	150	200	25	200	7.5	-65 to +150	+150

<sup>1/</sup> Derate linearly 1.428 W/ $^\circ C$  for  $T_C > 45^\circ C$ .

1.4 Primary electrical characteristics.

	$h_{FE}$ $I_C = 2.0 \text{ Adc}$ $V_{CE} = 4.0 \text{ Vdc}$	$h_{FE}$ $I_C = 5.0 \text{ Adc}$ $V_{CE} = 4.0 \text{ Vdc}$	$h_{fe}$ $I_C = 5.0 \text{ Adc}$ $V_{CE} = 4.0 \text{ Vdc}$	$V_{CE(sat)}$ $I_C = 5.0 \text{ Adc}$ $I_B = 1.0 \text{ Adc}$	$f_{hfe}$ $I_C = 5.0 \text{ Adc}$ $V_{CE} = 4.0 \text{ Vdc}$	$\theta_{J-C}$
				Vdc	kc	$^\circ C/W$
Min.	20	10	5	---	20	---
Max.	80	35	---	2.5	---	0.7

## 2. APPLICABLE DOCUMENTS

2.1 The following documents, of the issue in effect on date of invitation for bids or request for proposal, form a part of the specification to the extent specified herein.

FSC 5961

MIL-S-19500/102A

**SPECIFICATION**

**MILITARY**

MIL-S-19500 - Semiconductor Devices, General Specification for.

**STANDARDS**

**MILITARY**

MIL-STD-202 - Test Methods for Electronic and Electrical Component Parts.

MIL-STD-750 - Test Methods for Semiconductor Devices.

(Copies of specifications, standards, drawings, and publications required by suppliers in connection with specific procurement functions should be obtained from the procuring activity or as directed by the contracting officer.)

2.2 Other publications. The following document forms a part of this specification to the extent specified herein. Unless otherwise indicated, the issue in effect on date of invitation for bids or request for proposal shall apply.

**NATIONAL BUREAU OF STANDARDS**

Handbook H28 - Screw-Thread Standards for Federal services.

(Application for copies should be addressed to the Superintendent of Documents, Government Printing Office, Washington, D. C. 20402.)

**3. REQUIREMENTS**

3.1 General. Requirements shall be in accordance with MIL-S-19500, and as specified herein.

3.2 Abbreviations, symbols, and definitions. The abbreviations, symbols, and definitions used herein are defined in MIL-S-19500.

3.3 Design, construction, and physical dimensions. Transistors shall be of the design, construction, and physical dimensions shown on figure 1.

3.4 Performance characteristics. Performance characteristics shall be as specified in tables I, II, and III.

3.5 Marking. The following marking specified in MIL-S-19500 may be omitted from the body of the transistor at the option of the manufacturer:

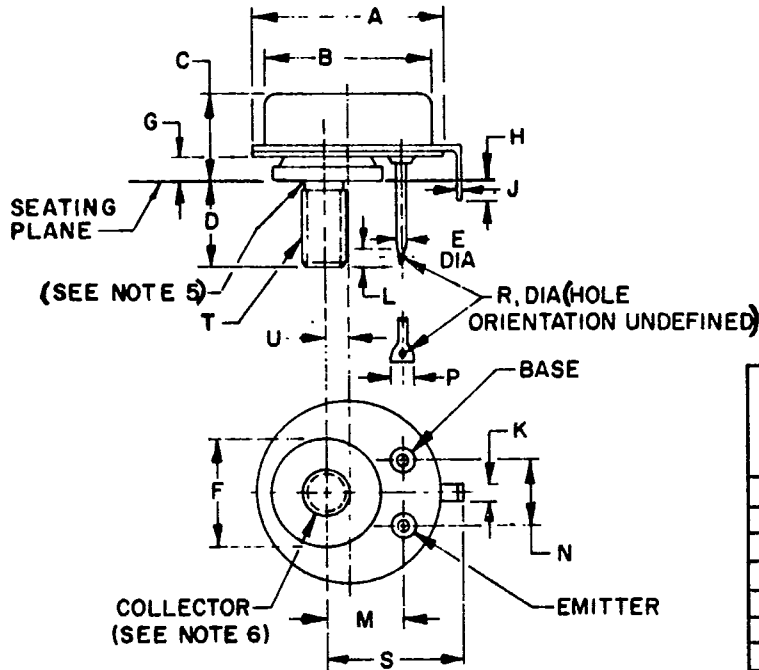
- (a) Country of origin.
- (b) Manufacturer's identification.

**4. QUALITY ASSURANCE PROVISIONS**

4.1 Sampling and inspection. Sampling and inspection shall be in accordance with MIL-S-19500, and as specified herein.

4.2 Qualification inspection. Qualification inspection shall consist of the examinations and tests specified in tables I, II, and III.

4.3 Quality conformance inspection. Quality conformance inspection shall consist of groups A, B, and C inspections.



Ltr	Dimensions in inches with metric equivalents (mm) in parentheses (see note 2)		Notes
	Minimum	Maximum	
A	1.24 (31.50)	1.28 (32.51)	
B		1.130 (28.70)	
C	.50 (12.70)	.56 (14.22)	
D	.55 (13.97)	.58 (14.73)	
E	.045 (1.14)	.055 (1.40)	4
F	.73 (18.54)	.77 (19.56)	
G	.11 (2.79)	.14 (3.56)	
H	.13 (3.30)	.19 (4.83)	
J	.014 (.36)	.024 (.61)	
K	.14 (3.56)	.17 (4.32)	
L	.10 (2.54)	.14 (3.56)	
M	.48 (12.19)	.52 (13.21)	
N	.35 (8.89)	.40 (10.16)	
P	.09 (2.29)	.11 (2.79)	4
R	.050 (1.27)	.060 (1.52)	
S	.81 (20.57)	.85 (21.59)	
T			3
U	.14 (3.56)	.17 (4.32)	

## NOTES:

1. Dimensions are in inches.
2. Metric equivalents (to the nearest .01 mm) are given for general information only and are based upon 1 inch = 25.4 mm.
3. See NBS Handbook H28. 5/16 - 24 UNF-2A.
4. Two leads.
5. Reference point for temperature measurement.
6. Collector shall be internally connected to the mounting base.

FIGURE 1. Outline dimensions of transistor types 2N1016B, 2N1016C and 2N1016D.

MIL-S-19500/102A

4.3.1 Group A inspection. Group A inspection shall consist of the examinations and tests specified in table I.

4.3.2 Group B inspection. Group B inspection shall consist of the examinations and tests specified in table II.

4.3.3 Group C inspection. Group C inspection shall consist of the examinations and tests specified in table III. This inspection shall be conducted on the initial lot and thereafter every 6 months during production. Upon failure of any Group C subgroups or upon determination by the inspector that Group C tests are not being met, the inspector shall require lot by lot inspection for a minimum of 3 consecutive lots on the failing Group C subgroups.

4.3.4 Group B and group C life-test samples. Samples that have been subjected to group B, 340-hour life-test, may be continued on test for 1,000-hours in order to satisfy group C life-test requirements. These samples shall be predesignated, and shall remain subjected to the group C 1,000-hour acceptance evaluation after they have passed the group B, 340-hour acceptance criteria. The cumulative total of failures found during 340-hour test and during the subsequent interval up to 1,000 hours shall be computed for 1,000 hour acceptance criteria, see 4.3.3.

4.4 Methods of examination and test. Methods of examination and test shall be as specified in tables I, II, and III.

4.4.1 Terminal strength (stud torque). Acceptance criteria after the stud torque test for external threaded parts (dimension "T" of figure 1) shall be in accordance with handbook H28.

4.4.2 Solderability. The solderability test shall apply to the two, lug-terminals only. The depth of immersion is to be within 1/4-inch of the seating plane. Acceptance criteria shall be that each termination is 95-percent covered by a continuous new solder coating to within 3/8-inch  $\pm$  1/32-inch of the seating plane.

TABLE I. Group A inspection.

Examination or test	MIL-STD-750		L T P D	Symbol	Limits		
	Method	Details			Min	Max	Unit
<u>Subgroup 1</u>			10				
Visual and mechanical examination	2071			---	---	---	---
<u>Subgroup 2</u>			5				
Breakdown voltage, collector to emitter	3011	Bias cond. D; $I_C = 200 \text{ mAdc}$		$BV_{CEO}$			
2N1016B					100	---	Vdc
2N1016C					150	---	Vdc
2N1016D					200	---	Vdc
Collector to emitter cutoff current	3041	Bias cond. A; $V_{EB} = 1.5 \text{ Vdc}$		$I_{CEX}$			
2N1016B		$V_{CE} = 100 \text{ Vdc}$			---	1.0	mAdc
2N1016C		$V_{CE} = 150 \text{ Vdc}$			---	1.0	mAdc
2N1016D		$V_{CE} = 200 \text{ Vdc}$			---	1.0	mAdc
Collector to base cutoff current	3036	Bias cond. D		$I_{CBO}$			
2N1016B		$V_{CB} = 100 \text{ Vdc}$			---	1.0	mAdc
2N1016C		$V_{CB} = 150 \text{ Vdc}$			---	1.0	mAdc
2N1016D		$V_{CB} = 200 \text{ Vdc}$			---	1.0	mAdc

TABLE I. Group A inspection - Continued

Examination or test	MIL-STD-750		L T P D	Symbol	Limits		
	Method	Details			Min	Max	Unit
<u>Subgroup 2 - Continued</u>							
Emitter to base cutoff current	3061	Bias cond. D; $V_{EB} = 25 \text{ Vdc}$		$I_{EBO}$	---	1.0	mAdc
Forward-current transfer ratio	3076	$V_{CE} = 4 \text{ Vdc};$ $I_C = 2 \text{ Adc}$		$h_{FE}$	20	80	---
Forward-current transfer ratio	3076	$V_{CE} = 4 \text{ Vdc};$ $I_C = 5 \text{ Adc}$		$h_{FE}$	10	35	---
Forward-current transfer ratio	3076	$V_{CE} = 4 \text{ Vdc};$ $I_C = 7.5 \text{ Adc}$		$h_{FE}$	6	20	---
Small-signal short-circuit forward-current transfer ratio	3206	$V_{CE} = 4 \text{ Vdc};$ $I_C = 5 \text{ Adc}$		$h_{fe}$	5	---	---
Small-signal short-circuit forward-current transfer-ratio cutoff frequency	3301	$V_{CE} = 4 \text{ Vdc};$ $I_C = 5 \text{ Adc}$		$f_{hfe}$	20	---	kc
<u>Subgroup 3</u>							
Collector to emitter voltage (saturated)	3071	$I_C = 5 \text{ Adc};$ $I_B = 1 \text{ Adc}$	5	$V_{CE(sat)}$	---	2.5	Vdc
Base emitter voltage (saturated)	3066	Test cond. A; $I_C = 5 \text{ Adc};$ $I_B = 1 \text{ Adc}$		$V_{BE(sat)}$	---	4.0	Vdc
Pulse response	---	$I_C = 5 \text{ Adc}; V_{EB} = 6 \text{ Vdc};$ $V_{CE} = 12 \text{ Vdc};$ $I_{B1} \text{ and } I_{B2} = 1.5 \text{ Adc}$ (see figure 2)		$t_d + t_r$	---	10	$\mu\text{sec}$
Pulse response	---	$I_C = 5 \text{ Adc}; V_{EB} = 6 \text{ Vdc};$ $V_{CE} = 12 \text{ Vdc};$ $I_{B1} \text{ and } I_{B2} = 1.5 \text{ Adc}$ (see figure 2)		$t_s + t_f$	---	15	$\mu\text{sec}$
<u>Subgroup 4</u>							
High-temperature operation: Emitter to base cutoff current	3061	$T_C = +150 \pm 3^\circ \text{C}$ Bias cond. D; $V_{EB} = 25 \text{ Vdc}$		$I_{EBO}$	---	10	mAdc
Collector to emitter cutoff current	3041	Bias cond. A; $V_{EB} = 1.5 \text{ Vdc}$		$I_{CEX}$			
2N1016B		$V_{CE} = 100 \text{ Vdc}$			---	10	mAdc
2N1016C		$V_{CE} = 150 \text{ Vdc}$			---	10	mAdc
2N1016D		$V_{CE} = 200 \text{ Vdc}$			---	10	mAdc
Low-temperature operation: Forward-current transfer ratio	3076	$T_C = -55 \pm 3^\circ \text{C}$ $V_{CE} = 4 \text{ Vdc};$ $I_C = 5 \text{ Adc}$		$h_{FE}$	10	35	---

MIL-S-19500/102A

TABLE II. Group B inspection

Examination or test	MIL-STD-750		L T P D	Symbol	Limits		
	Method	Details			Min	Max	Unit
<u>Subgroup 1</u>			20				
Physical dimensions	2066	(See figure 1)		---	---	---	---
<u>Subgroup 2</u>			15				
Solderability	2026	Omit aging (see 4.4.2)		---	---	---	---
Thermal shock (temperature cycling)	1051	Test cond. F		---	---	---	---
Thermal shock (glass strain)	1056	Test cond. A		---	---	---	---
Terminal strength (tension)	2036	Test cond. A; weight = 5 lbs + 1 oz.; application time = 15 sec. to each terminal		---	---	---	---
Terminal strength (terminal torque)	2036	Test cond. D1; torque = 5 oz.-in. to be applied to flat of each terminal for t = 15 sec.		---	---	---	---
Terminal strength (stud torque)	2036	Test cond. D2; torque = 40 lb.-in. for t = 15 sec. (see 4.4.1)		---	---	---	---
Seal (leak rate)	---	Method 112, MIL-STD-202, test cond. C, procedure III; test cond. A for gross leaks		---	---	$5 \times 10^{-7}$	atm cc/sec
Moisture resistance	1021	Omit initial conditioning		---	---	---	---
End points:							
Collector to emitter cutoff current	3041	Bias cond. A; $V_{EB} = 1.5 \text{ Vdc}$		$I_{CEX}$			
2N1016B		$V_{CE} = 100 \text{ Vdc}$			---	1.0	mAdc
2N1016C		$V_{CE} = 150 \text{ Vdc}$			---	1.0	mAdc
2N1016D		$V_{CE} = 200 \text{ Vdc}$			---	1.0	mAdc
Collector to emitter voltage (saturated)	3071	$I_C = 5 \text{ Adc};$ $I_B = 1 \text{ Adc}$		$V_{CE(sat)}$	---	2.5	Vdc
Forward-current transfer ratio	3076	$V_{CE} = 4 \text{ Vdc};$ $I_C = 5 \text{ Adc}$		$h_{FE}$	10	35	---
<u>Subgroup 3</u>			15				
Shock		Nonoperating; 500 G; for 1.0 msec; 5 blows in each orientation: $X_1$ , $Y_1$ , $Y_2$ , and $Z_1$		---	---	---	---
Vibration fatigue	2046	Nonoperating		---	---	---	---
Vibration, variable frequency	2056			---	---	---	---

TABLE II. Group B inspection - Continued

Examination or test	MIL-STD-750		L T P D	Symbol	Limits		
	Method	Details			Min	Max	Unit
<u>Subgroup 3 - Continued</u>							
Constant acceleration	2006	5000 G; in each orientation: X <sub>1</sub> , Y <sub>1</sub> , Y <sub>2</sub> , and Z <sub>1</sub>		---	---	---	---
End points: (Same as subgroup 2)			15				
<u>Subgroup 4</u>							
Salt atmosphere (corrosion)	1041			---	---	---	---
End points: (Same as subgroup 2)			10				
<u>Subgroup 5</u>							
High-temperature life (nonoperating)	1031	T <sub>stg</sub> = 150° C; t = 340 hours (see 4.3.4)		---	---	---	---
End points:							
Collector to emitter cutoff current	3041	Bias cond. A; V <sub>EB</sub> = +1.5 Vdc		I <sub>CEX</sub>			
2N1016B		V <sub>CE</sub> = 100 Vdc			---	2.0	mAdc
2N1016C		V <sub>CE</sub> = 150 Vdc			---	2.0	mAdc
2N1016D		V <sub>CE</sub> = 200 Vdc			---	2.0	mAdc
Collector to emitter voltage (saturated)	3071	I <sub>C</sub> = 5 Adc; I <sub>B</sub> = 1 Adc		V <sub>CE(sat)</sub>	---	2.5	Vdc
Forward-current transfer ratio	3076	V <sub>CE</sub> = 4 Vdc; I <sub>C</sub> = 5 Adc		h <sub>FE</sub>	8	42	---
<u>Subgroup 6</u>							
Steady state operation life	1026	T <sub>C</sub> = +100° C; V <sub>CB</sub> = 30 Vdc; I <sub>C</sub> = 2.39 Adc; t = 340 hrs (see 4.3.4)		---	---	---	---
End points: (Same as subgroup 5)			10				

MIL-S-19500/102A

TABLE III. Group C inspection

Examination or test	MIL-STD-750		L T P D	Symbol	Limits		
	Method	Details			Min	Max	Unit
<u>Subgroup 1</u>			15				
Barometric pressure, reduced (altitude operation)	1001	Normal mounting; pressure = 8 mm Hg for 60 sec min.		---	---	---	---
Measurement during test:							
Collector to base cutoff current	3036	Bias cond. D;		$I_{CBO}$			
2N1016B		$V_{CB} = 100 \text{ Vdc}$			---	1.0	mAdc
2N1016C		$V_{CB} = 150 \text{ Vdc}$			---	1.0	mAdc
2N1016D		$V_{CB} = 200 \text{ Vdc}$			---	1.0	mAdc
Thermal resistance, junction to case	3151			$\theta_{J-C}$	---	0.7	$^{\circ}\text{C/W}$
<u>Subgroup 2</u>			$\lambda = 10$				
High-temperature life (nonoperating)	1031	$T_{stg} = +150^{\circ}\text{C}$ (see 4.3.4)		---	---	---	---
End points: (Same as subgroup 5 of Group B)							
<u>Subgroup 3</u>			$\lambda = 10$				
Steady state operation life	1026	$T_C = +100^{\circ}\text{C}$ ; $V_{CB} = 30 \text{ Vdc}$ ; $I_C = 2.39 \text{ Adc}$ (see 4.3.4)		---	---	---	---
End points: (Same as subgroup 5 of Group B)							

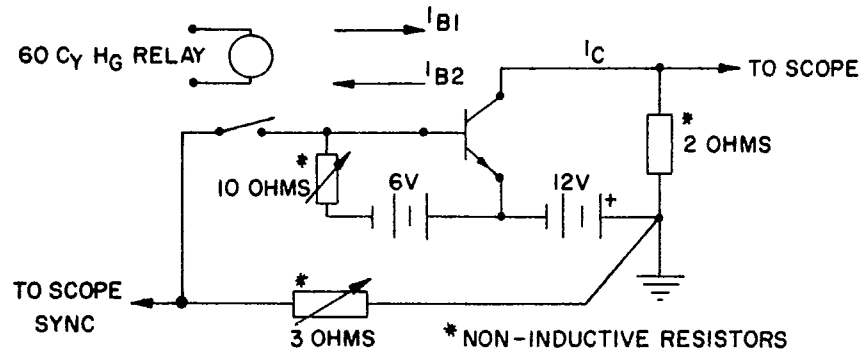


FIGURE 2. Switching-time test circuit.



## 5. PREPARATION FOR DELIVERY

5.1 See MIL-S-19500, section 5.

## 6. NOTES

6.1 Notes. The notes specified in MIL-S-19500 are applicable to this specification.6.2 Changes from previous issue. Asterisks are not used in this revision to identify changes with respect to the previous issue, due to the extensiveness of the changes.

## Custodians:

Army - EL  
Navy - SH  
Air Force - 11Preparing activity:  
Navy - SH

(Project 5961-0002-28)

## Review activities:

Army - EL, MI, MU  
Navy - SH  
Air Force - 11, 17, 85

Code "C"

## User activities:

Army - EL, SM  
Navy - CG, MC, AS, OS  
Air Force - 14, 19