

# PHOENIX CONTACT DIN Rail Terminal Blocks

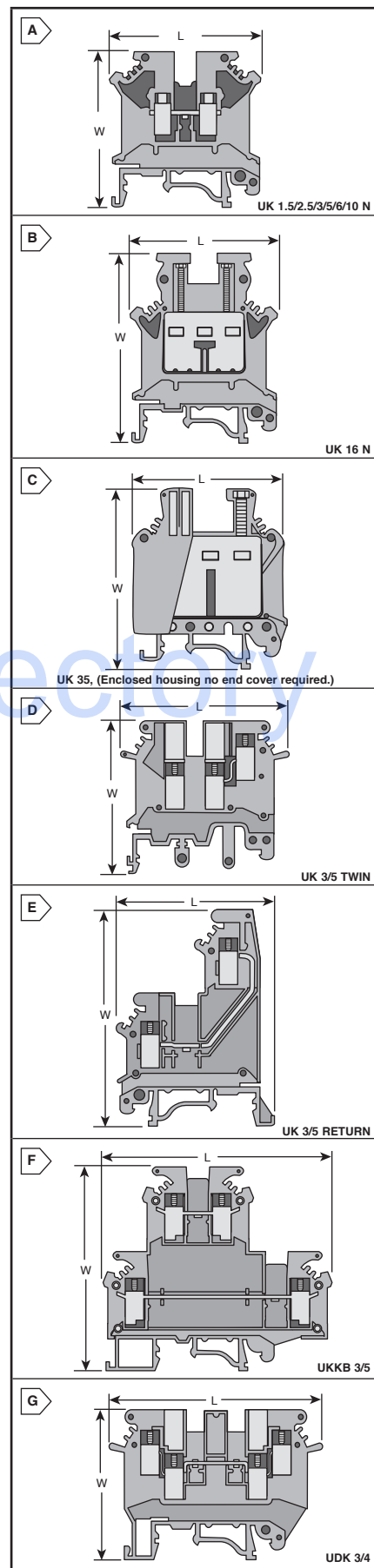


## UK UNIVERSAL DIN RAIL TERMINAL BLOCKS

• Screw cage clamp connections • Contacts made from nickel plated copper alloy

For quantities greater than listed, call for quote.

MOUSER STOCK NO.	Fig.	Phoenix Type	Color	AWG	Voltage Rating	Current Rating	Dimensions (mm)			Price Each			
							H	L	W	1	10	50	100
<b>Feed-Thru</b>													
651-3005837	A	UK 1.5 N	Gray	30-14	300	15	42	42.5	4.2	2.48	2.39	2.21	2.07
651-3005840	A	UK 1.5 N BU	Blue	30-14	300	15	42	42.5	4.2	2.65	2.54	2.35	2.22
651-3003347	A	UK 2.5 N	Gray	30-12	300	20	42	42.5	5.2	2.38	2.30	2.11	1.99
651-3003350	A	UK 2.5 N BU	Blue	30-12	300	20	42	42.5	5.2	2.38	2.30	2.11	1.99
651-3001501	A	UK 3 N	Gray	28-12	600	20	47	42.5	5.2	2.40	2.31	2.13	2.01
651-3001514	A	UK 3 N BU	Blue	28-12	600	20	47	42.5	5.2	5.71	5.48	5.06	4.78
651-3004362	A	UK 5 N	Gray	30-10	600	30	47	42.5	6.2	1.39	1.33	1.23	1.23
651-3004388	A	UK 5 N BU	Blue	30-10	600	30	47	42.5	6.2	2.62	2.52	2.32	2.20
651-3004524	A	UK 6 N	Gray	26-8	600	50	47	42.5	8.2	3.25	3.13	2.89	2.72
651-3004977	A	UK 6 N BU	Blue	26-8	600	50	47	42.5	8.2	4.24	4.13	3.86	3.55
651-3005073	A	UK 10 N	Gray	24-6	600	65	47	42.5	10.2	4.33	4.16	3.84	3.62
651-3005086	A	UK 10 N BU	Blue	24-6	600	65	47	42.5	10.2	10.39	9.98	9.19	8.69
651-3006043	B	UK 16 N	Gray	22-4	600	85	54	42.5	12.2	7.19	6.90	6.37	6.02
651-3006056	B	UK 16 N BU	Blue	22-4	600	85	54	42.5	12.2	15.85	15.41	14.41	13.25
651-3008012	C	UK 35	Gray	18-1/0	1000	150	62	50	15.2	17.95	17.23	15.88	15.01
651-3008025	C	UK 35 BU	Blue	18-1/0	1000	150	62	50	15.2	18.65	17.92	16.51	15.60
<b>Ground</b>													
651-3005853	-	USLKG 1.5 N	Gr/Yel	30-14	-	-	42	42.5	4.2	19.17	18.41	16.97	16.03
651-0441119	-	USLKG 2.5 N	Gr/Yel	30-12	-	-	42	42.5	5.2	9.74	9.48	8.79	8.15
651-0441083	-	USLKG 3	Gr/Yel	28-12	-	-	47	42.5	2.2	10.07	9.76	8.99	8.22
651-0441504	-	USLKG 5	Gr/Yel	26-10	-	-	47	42.5	6.2	9.28	9.03	8.38	7.76
651-0442079	-	USLKG 6 N	Gr/Yel	26-8	-	-	47	42.5	8.2	10.47	10.15	9.35	8.55
651-3003923	-	USLKG 10 N	Gr/Yel	24-6	-	-	47	42.5	10.2	11.29	10.85	9.99	9.50
651-0443023	-	USLKG 16 N	Gr/Yel	22-4	-	-	54	42.5	12.2	15.16	14.70	13.54	12.38
651-0444019	-	USLKG 35	Gr/Yel	18-1/0	-	-	62	50	15.2	21.99	20.07	18.90	18.62
<b>Twin Conductor Feed-Thru</b>													
651-3002225	D	UK 3-TWIN	Gray	30-12	300	20	47	50.5	5.2	5.59	5.37	4.95	4.68
651-1923021	D	UK 5-TWIN	Gray	30-10	300	30	47	50.5	6.2	5.07	4.87	4.48	4.24
651-1923047	D	UK 5-TWIN BU	Blue	30-10	300	30	47	50.5	6.2	5.21	5.00	4.61	4.37
<b>Twin Ground</b>													
651-1923076	-	UK 5-TWIN-PE	Gr/Yel	30-10	-	-	47	50.5	6.2	13.32	12.79	11.79	11.14
<b>Return</b>													
651-3002597	E	UK 5 RETURN	Gray	30-10	300	30	58.5	47.5	6.2	4.90	4.71	4.33	4.10
<b>Return Ground</b>													
651-3002555	-	UK 3 RETURN PE	Gr/Yel	30-10	-	-	58.5	42.5	5.2	13.29	12.93	12.09	11.12
651-3002584	-	UK 5 RETURN PE	Gr/Yel	30-10	-	-	58.5	42.5	6.2	11.58	11.58	11.58	10.66
<b>Double Level - Double Feed-Thru</b>													
651-2771010	F	UKKB 3	Gray	28-12	600	20	62	67	5.2	9.35	9.09	8.50	7.82
651-2771146	F	UKKB 5	Gray	26-10	600	30	62	67	6.2	9.07	8.72	8.03	7.59
<b>Double Level Ground - Double Feed-Thru</b>													
651-3007123	-	UKKB 5-PE	Gr/Yel	26-10	-	-	62	67	6.2	19.91	18.17	17.11	16.86
<b>Double Level - Single Feed-Thru</b>													
651-2775375	G	UDK 3	Gray	30-12	300	20	47	63.5	5.2	5.95	5.78	5.41	4.97
651-2775016	G	UDK 4	Gray	30-10	600	30	47	63.5	6.2	5.51	5.30	4.88	4.60
<b>Double Level Ground - Single Feed-Thru</b>													
651-2775456	-	UDK 3-PE	Gr/Yel	30-12	-	-	47	63.5	5.2	17.84	16.29	15.34	15.11
651-2775184	-	UDK 4-PE	Gr/Yel	30-10	-	-	47	63.5	6.2	14.23	13.67	12.60	11.90



## UNIVERSAL DIN RAIL TERMINAL BLOCK ACCESSORIES



RoHS Compliant

For quantities greater than listed, call for quote.

MOUSER STOCK NO.	Phoenix Type	Color	Description	Price Each			
				1	10	50	100
<b>End Covers and Plates</b>							
651-3001022	D-UK 2.5	Gray	End Cover for UK 1.5/2.5	1.34	1.30	1.19	1.12
651-3001103	D-UK 2.5 BU	Blue	End Cover for UK 1.5/2.5 BU	1.34	1.30	1.19	1.12
651-3003020	D-UK 4/10	Gray	End Cover for UK 3/5/6/10	1.36	1.32	1.24	1.14
651-3003101	D-UK 4/10 BU	Blue	End Cover for UK 3/5/6/10 BU	1.36	1.32	1.21	1.14
651-3006027	D-UK 16	Gray	End Cover for UK 16	1.66	1.59	1.47	1.39
651-3006108	D-UK 16 BU	Blue	End Cover for UK 16 BU	1.67	1.62	1.52	1.39
651-3002539	D-UK 3-RETURN	Gray	End Cover for UK 3 Return	1.53	1.47	1.36	1.28
651-1923034	D-UK 5-TWIN	Gray	End Cover for UK 3/5 TWIN	1.64	1.58	1.45	1.38
651-1923050	D-UK 5-TWIN BU	Blue	End Cover UK 3/5 TWIN BU	1.64	1.58	1.46	1.38
651-3003224	ATP-UK	Gray	Partition Plate	1.61	1.55	1.43	1.35
651-3008096	TP-UK 35	Gray	Separating Plate	1.78	1.67	1.53	1.49
<b>Fully Insulated Divisible Insertion Bridges</b>							
651-2303145	EBL 2-5	Red	2-Position for UK2.5/3 N	.69	.656	.604	.593
651-0201155	EB 2-6	Red	2-Position for UK5 N	1.38	1.34	1.25	1.20
651-0202154	EB 2-8	Red	2-Position for UK6 N	1.70	1.65	1.51	1.44
651-0203153	EB 2-10	Red	2-Position for UK10 N	2.27	2.20	2.01	1.93
651-2303158	EBL 3-5	Red	3-Position for UK2.5/3 N	1.12	1.05	.969	.94
651-0201142	EB 3-6	Red	3-Position for UK5 N	2.05	1.99	1.82	1.74
651-0202141	EB 3-8	Red	3-Position for UK6 N	2.47	2.39	2.19	2.10
651-0203328	EB 3-10	Red	3-Position for UK10 N	2.88	2.70	2.49	2.41
651-2303132	EBL 10-5	Red	10-Position for UK 2.5/3 N	3.30	3.11	2.86	2.77
651-0201139	EB 10-6	Red	10-Position for UK5 N	5.32	4.99	4.59	4.45
651-0202138	EB 10-8	Red	10-Position for UK6 N	6.58	6.17	5.67	5.50
651-0203137	EB 10-10	Red	10-Position for UK10 N	8.82	8.27	7.60	7.38
651-3006137	EB 10-12	Red	10-Position for UK16 N	9.65	9.05	8.32	8.07
651-0205135	EB 10-15	Red	10-Position for UK35 N	16.28	15.27	14.04	13.62
<b>Fixed Bridge Bar with Insulated Screws</b>							
651-3001624	FBRN 10-4 N	-	10-Position for UK 1.5 N	8.06	7.56	6.95	6.74
651-2770642	FBRI 10-5 N	-	10-Position for UK2.5/3 N	11.17	10.48	9.64	9.35
651-0203250	FBI 10-6	-	10-Position for UK5 N	9.25	8.68	7.98	7.74
651-0203263	FBI 10-8	-	10-Position for UK6 N	11.14	10.45	9.61	9.32
651-0203276	FBI 10-10	-	10-Position for UK10 N	14.46	13.56	12.06	12.06
651-0203454	FBI 10-12	-	10-Position for UK16 N	17.77	16.66	15.32	14.86
651-0201333	FBI 2-15	-	2-Position for UK35 N	6.50	6.10	5.48	5.44
651-0201278	FBI 3-15	-	3-Position for UK35 N	8.98	8.43	7.75	7.52