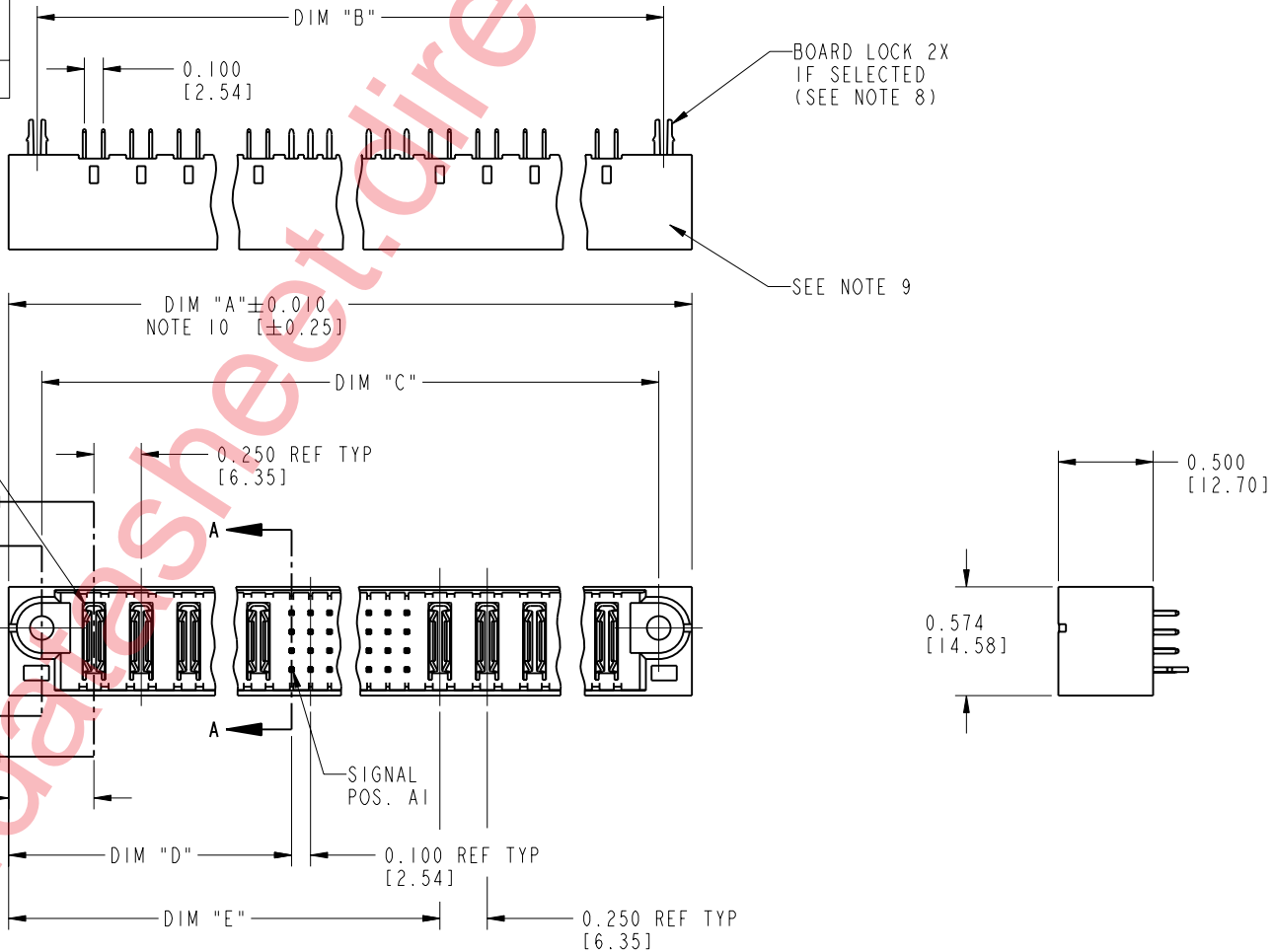


Tous droits strictement réservés. Reproduction ou communication o des liens interdite sous quelque forme que ce soit sans autorisation écrite du propriétaire. Propriété de c FCI. Droits de reproduction FCI.

All rights strictly reserved. Reproduction or issue to third parties in any form, whatever is not permitted without written authority from the proprietor. Property of FCI. Copyright FCI.

PRODUCT NUMBER
51700-ABBCCDDEF..
 Note: ①
 SEE NOTE 1



mat'l code				NOTE 2	tolerances unless otherwise specified	CUSTOMER	 www.fciconnect.com			
ltr	ecn no.	dr	date	linear	.XX±.01/0.X±0.3	COPY	 INCH/MM	title		
K	DG05-0132	SJ	05/26/05		.XXX±.005/0.XX±0.13	projection		VERTICAL HEADER w/ GUIDE PIN		
L	DG05-0435	SW	11/03/05		.XXX±.0020/.XXX±.051	angles		POWER / SIGNAL / POWER		
M	DG05-0485	GuoJM	11/21/05	angles	0°±2°	product family	PWRBLADE	code		
sheet index				revision sheet	M	M	M	size	dwg no	sheet
				1	2	3	A	51700	213	1 of 3

Pro/E

cage code 22526

PDM: Rev:M

STATUS: Released

Printed: Aug 11, 2007

Tous droits strictement réservés. Reproduction ou communication o des liers interdite sous quelque forme que ce soit sans autorisation écrite du propriétaire. Propriete de c FCI. Droits de reproduction FCI.

All rights strictly reserved. Reproduction or issue to third parties in any form, whomever is not permitted without written authority from the proprietor. Property of FCI. Copyright FCI.

1 | 2

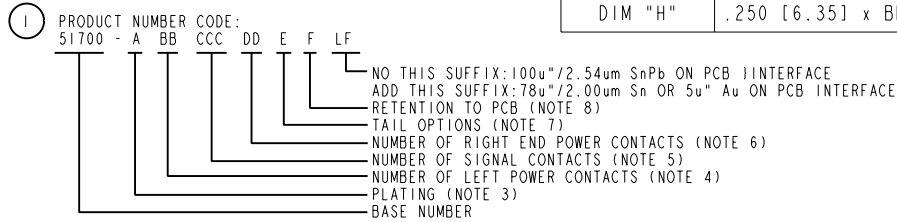
3 |

4

PRODUCT NUMBER
51700-ABBCCDDEF -- Note: ①
SEE NOTE 1

DIM	LENGTH FORMULAS (SEE NOTE 10)
DIM "A"	.250 [6.35] x BB + .100 [2.54] x (CCC/4) + .250 [6.35] x DD + .650 [16.51] (NOTE 10)
DIM "B"	.250 [6.35] x BB + .100 [2.54] x (CCC/4) + .250 [6.35] x DD + .350 [8.89]
DIM "C"	.250 [6.35] x BB + .100 [2.54] x (CCC/4) + .250 [6.35] x DD + .300 [7.62]
DIM "D"	.250 [6.35] x BB + .375 [9.53]
DIM "E"	.250 [6.35] x BB + .100 [2.54] x (CCC/4) + .450 [11.43]
DIM "F"	.250 [6.35] x BB + .100 [2.54] x (CCC/4) + .250 [6.35] x DD + .680 [17.27]
DIM "G"	.250 [6.35] x BB + .225 [5.72]
DIM "H"	.250 [6.35] x BB + .100 [2.54] x (CCC/4) + .250 [6.35]

CONNECTOR NOTES



- ② HOUSING MATERIAL: UL 94 V-0 GLASS FILLED HIGH TEMP THERMOPLASTIC
POWER CONTACT MATERIAL: COPPER ALLOY
SIGNAL CONTACT MATERIAL: COPPER ALLOY
- ③ PLATING OPTION:
1 = SIGNAL CONTACTS: 50u" / 1.27um Ni UNDER ALL; 30u" / 0.76um Au ON THE CONTACT AREA AND WITH 78u"/2.00um PURE TIN OR 100u"/2.54um SnPb ON PCB INTERFACE
POWER CONTACTS: 50u" / 1.27um Ni UNDER ALL; WITH 30u" / 76um Au ON CONTACT AREA AND WITH 78u"/2.00um PURE TIN OR 100u"/2.54um SnPb ON PCB INTERFACE
3 = SIGNAL CONTACTS: 50u" / 1.27um Ni UNDER ALL; 30u" / 0.76um Au ON THE CONTACT AREA AND WITH 5u"/0.13um Au ON PCB INTERFACE
POWER CONTACTS: 50u" / 1.27um Ni UNDER ALL; WITH 30u" / 76um Au ON CONTACT AREA AND WITH 5u"/0.13um Au ON PCB INTERFACE

- ④ LEFT END POWER CONTACTS, 01 TO 20 AVAILABLE.
MAXIMUM OF 20 POWER CONTACTS PER CONNECTOR.
- ⑤ SIGNAL CONTACT, 004 TO 148 AVAILABLE.
- ⑥ RIGHT END POWER CONTACTS, 01 - 20 AVAILABLE.
MAXIMUM OF 20 POWER CONTACTS PER CONNECTOR.
- ⑦ TAIL OPTIONS:
A = 0.135 +0.015/-0.010 [3.43 +0.38/-0.25] SOLDER TO BOARD
B = 0.165 +0.015/-0.010 [4.19 +0.38/-0.25] SOLDER TO BOARD
C = 0.165 +0.015/-0.010 [4.19 +0.38/-0.25] PRESS FIT
- ⑧ RETENTION TO PCB OPTIONS:
A = BOARD LOCK (REQUIRES 0.098 +0.002/-0.001 [2.49 +0.05/-0.03] THUR HOLE IN PCB).
RECOMMENDED ON SYMMETRIC CONNECTORS.
BOARD LOCK TO BE USED IN CONJUNCTION WITH A .092 PCB OR THICKER.
C = NO RETENTION FEATURE.

- ⑨ MANUFACTURE'S NAME, P/N, AND DATE CODE TO APPEAR ON THIS SURFACE.
- ⑩ THE MAXIMUM OVERALL LENGTH (DIM A) OF A PART IS 8.00 [203.2].
- 11 PRODUCT SPECIFICATION GS-12-149.
- 12 SEE PWRBLADE VERTICAL HEADER SPECIAL WORKSHEET (51696) FOR MATING LENGTH OPTIONS.
- ⑬ DIMENSIONS AND TOLERANCES ARE IN ACCORDANCE WITH ASME Y14.5m, 1994 UNLESS OTHERWISE SPECIFIED.

- PCB NOTES:
14. ALL DIMENSIONS ARE BASIC UNLESS OTHERWISE SPECIFIED.
15. ALL THROUGH HOLES ARE LOCATED WITH A TRUE POSITION OF 0.004 [0.10]
16. ALL HOLE DIAMETERS ARE FINISHED HOLE SIZE
17. Ø0.098 [2.49] THROUGH HOLES ARE UNPLATED.
18. Ø0.0453±0.0010 [1.151±0.025] DRILLED HOLES PLATED WITH 0.0003 [0.008] MIN SnPb OVER 0.001 [0.03] TO 0.003 [0.08] Cu PLATING TO ACHIEVE A Ø0.040±0.003 [1.02±0.07] HOLE.
19. FOR PRESSFIT APPLICATION USE FCI CAM TOOL 430169-XXX.

mat'l code		NOTE 2		tolerances unless otherwise specified		CUSTOMER		 www.fciconnect.com	
ltr	ecn no.	dr	date	linear	.XX±.01/0.X±0.3	projection	 title VERTICAL HEADER w/ GUIDE PIN POWER / SIGNAL / POWER		
M				angles	.XXX±.005/0.XX±0.13	 INCH/MM	product family PWRBLADE		code 213
				dr	.XXX±.0020/.XXX±.051	scale 1:1	size A	dwg no 51700	sheet 2
				enrg	0°±2°				
				chr	JRW 10-12-01				
				appd	J.ALLISON 10-12-01				
sheet index	revision sheet								

1 | 2

Pro/E

3 |

cage code 22526

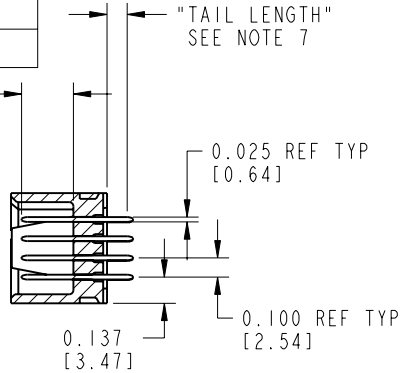
4

Tous droits strictement réservés. Reproduction ou communication o des liens interdite sous quelque forme que ce soit sans autorisation écrite du propriétaire. Propriété de c FCI. Droits de reproduction FCI.

All rights strictly reserved. Reproduction or issue to third parties in any form, whatever is not permitted without written authority from the proprietor. Property of FCI. Copyright FCI.

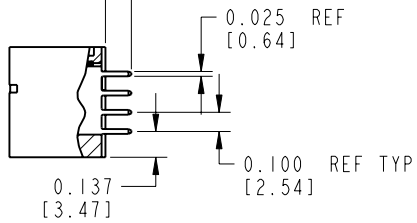
PRODUCT NUMBER
51700-ABBCCDDEF..
 Note: ①
 SEE NOTE 1

0.270±0.010
 [6.86±0.25]
 (SEE NOTE 12)

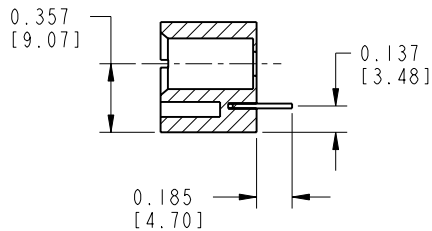


SECTION A-A

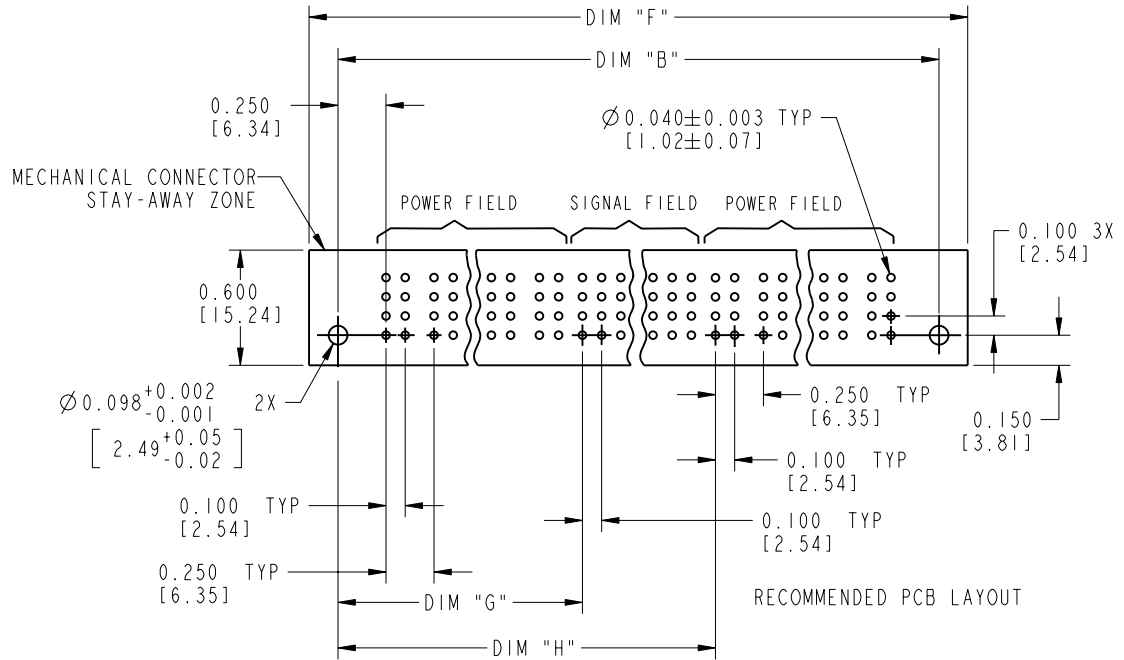
"TAIL LENGTH"
 SEE NOTE 7



SECTION B-B



SECTION C-C



RECOMMENDED PCB LAYOUT

mat'l code		NOTE 2		tolerances unless otherwise specified		CUSTOMER		 www.fciconnect.com	
lfr	ecn no.	dr	date	linear	.XX±.01/0.X±0.3	projection	COPY		
M				angles	.XXX±.005/0.XX±0.13		title		
				dr	.XXX±.0020/.XXX±.051	INCH/MM	VERTICAL HEADER w/ GUIDE PIN		
				engr	0°±2°	scale	POWER / SIGNAL / POWER		
				chr	JRW 10-12-01	1:1	product family		code
				appd	J.ALLISON 10-12-01		PWRBLADE		213
sheet index	revision sheet						size	dwg no	sheet
							A	51700	3

Pro/E

cage code 22526

PDM: Rev:M

STATUS: Released

Printed: Aug 11, 2007