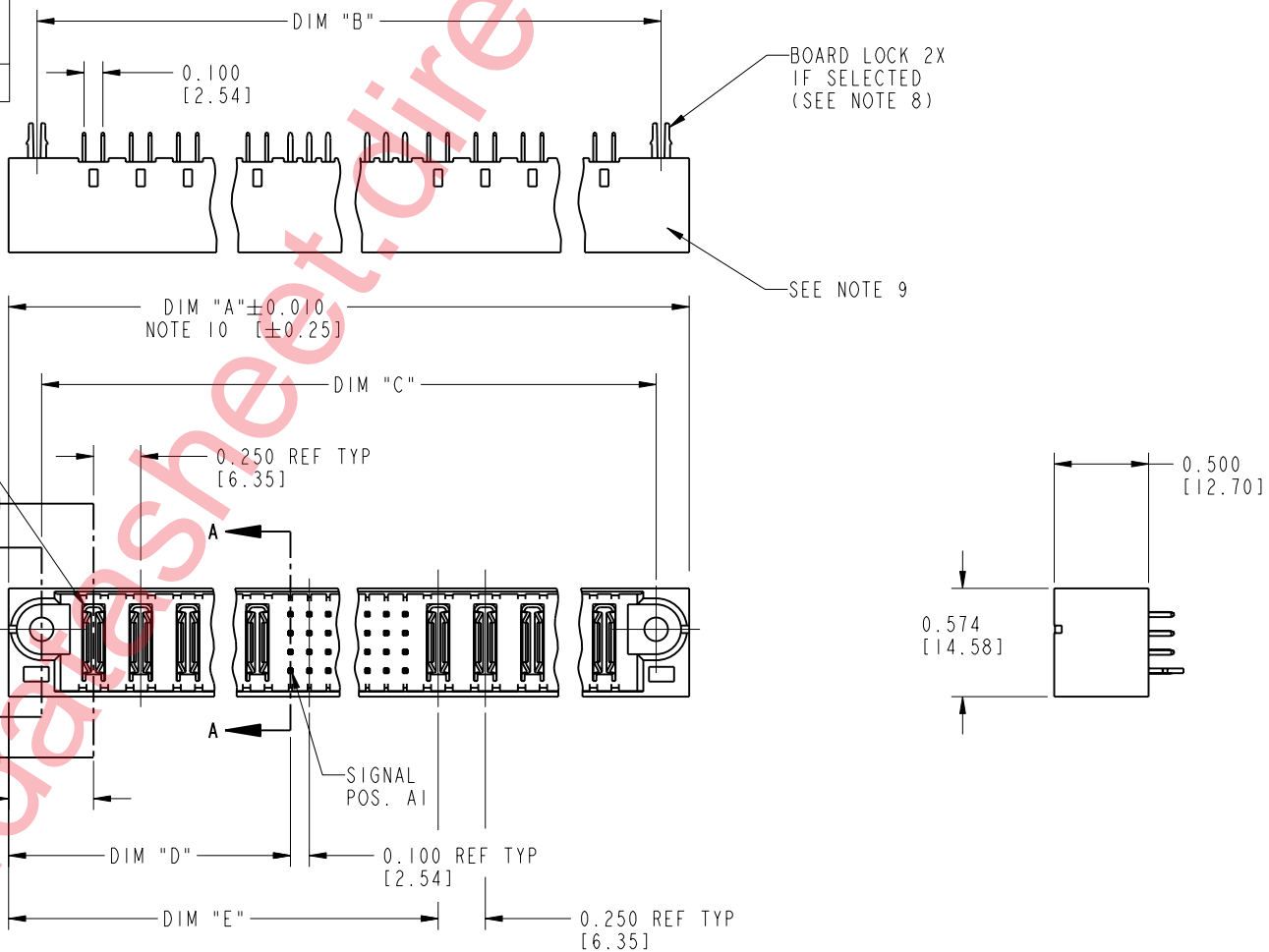


Tous droits strictement réservés. Reproduction ou communication o des liens interdite sous quelque forme que ce soit sans autorisation écrite du propriétaire. Propriété de c FCI. Droits de reproduction FCI.

All rights strictly reserved. Reproduction or issue to third parties in any form, whatever is not permitted without written authority from the proprietor. Property of FCI. Copyright FCI.

PRODUCT NUMBER  
**51700-ABBCCDDEF..**  
 Note: ①  
 SEE NOTE 1



mat'l code				NOTE 2	tolerances unless otherwise specified	CUSTOMER	<b>FCI</b> www.fciconnect.com	
ltr	ecn no.	dr	date	linear	.XX±.01/0.X±0.3	COPY	title	
K	DG05-0132	SJ	05/26/05		.XXX±.005/0.XX±0.13	projection	VERTICAL HEADER w/ GUIDE PIN	
L	DG05-0435	SW	11/03/05	angles	.XXX±.0020/.XXX±.051		POWER / SIGNAL / POWER	
M	DG05-0485	GuoJM	11/21/05		0°±2°	INCH/MM	product family	code
				dr	JRW 10-12-01	scale	PWRBLADE	213
				engr	J.ALLISON 10-12-01	1:1	size	sheet
				chr	J.ALLISON 10-12-01		A	1 of 3
				appd	J.ALLISON 10-12-01		51700	
sheet index	revision sheet	M	M	M				
		1	2	3				

Pro/E

cage code 22526

PDM: Rev:M

STATUS: Released

Printed: Aug 11, 2007

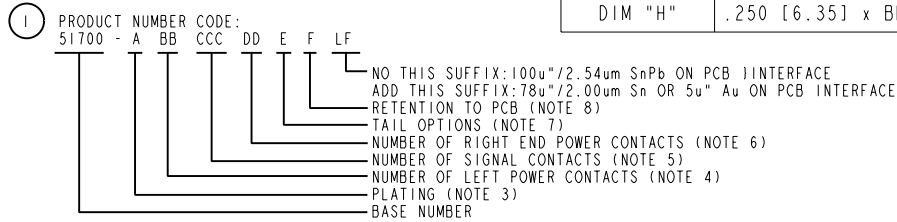
Tous droits strictement réservés. Reproduction ou communication o des liens interdite sous quelque forme que ce soit sans autorisation écrite du propriétaire. Propriete de c FCI. Droits de reproduction FCI.

All rights strictly reserved. Reproduction or issue to third parties in any form, whenever is not permitted without written authority from the proprietor. Property of FCI. Copyright FCI.

PRODUCT NUMBER
51700-ABBCCDDEF -- Note: ①
SEE NOTE 1

DIM	LENGTH FORMULAS (SEE NOTE 10)
DIM "A"	.250 [6.35] x BB + .100 [2.54] x (CCC/4) + .250 [6.35] x DD + .650 [16.51] (NOTE 10)
DIM "B"	.250 [6.35] x BB + .100 [2.54] x (CCC/4) + .250 [6.35] x DD + .350 [8.89]
DIM "C"	.250 [6.35] x BB + .100 [2.54] x (CCC/4) + .250 [6.35] x DD + .300 [7.62]
DIM "D"	.250 [6.35] x BB + .375 [9.53]
DIM "E"	.250 [6.35] x BB + .100 [2.54] x (CCC/4) + .450 [11.43]
DIM "F"	.250 [6.35] x BB + .100 [2.54] x (CCC/4) + .250 [6.35] x DD + .680 [17.27]
DIM "G"	.250 [6.35] x BB + .225 [5.72]
DIM "H"	.250 [6.35] x BB + .100 [2.54] x (CCC/4) + .250 [6.35]

CONNECTOR NOTES



- ② HOUSING MATERIAL: UL 94 V-0 GLASS FILLED HIGH TEMP THERMOPLASTIC  
POWER CONTACT MATERIAL: COPPER ALLOY  
SIGNAL CONTACT MATERIAL: COPPER ALLOY
- ③ PLATING OPTION:  
1 = SIGNAL CONTACTS: 50u" / 1.27um Ni UNDER ALL; 30u" / 0.76um Au ON THE CONTACT AREA AND WITH 78u"/2.00um PURE TIN OR 100u"/2.54um SnPb ON PCB INTERFACE  
POWER CONTACTS: 50u" / 1.27um Ni UNDER ALL; WITH 30u" / 76um Au ON CONTACT AREA AND WITH 78u"/2.00um PURE TIN OR 100u"/2.54um SnPb ON PCB INTERFACE  
  
3 = SIGNAL CONTACTS: 50u" / 1.27um Ni UNDER ALL; 30u" / 0.76um Au ON THE CONTACT AREA AND WITH 5u"/0.13um Au ON PCB INTERFACE  
POWER CONTACTS: 50u" / 1.27um Ni UNDER ALL; WITH 30u" / 76um Au ON CONTACT AREA AND WITH 5u"/0.13um Au ON PCB INTERFACE

- ④ LEFT END POWER CONTACTS, 01 TO 20 AVAILABLE.  
MAXIMUM OF 20 POWER CONTACTS PER CONNECTOR.
- ⑤ SIGNAL CONTACT, 004 TO 148 AVAILABLE.
- ⑥ RIGHT END POWER CONTACTS, 01 - 20 AVAILABLE.  
MAXIMUM OF 20 POWER CONTACTS PER CONNECTOR.
- ⑦ TAIL OPTIONS:  
A = 0.135 +0.015/-0.010 [3.43 +0.38/-0.25] SOLDER TO BOARD  
B = 0.165 +0.015/-0.010 [4.19 +0.38/-0.25] SOLDER TO BOARD  
C = 0.165 +0.015/-0.010 [4.19 +0.38/-0.25] PRESS FIT
- ⑧ RETENTION TO PCB OPTIONS:  
A = BOARD LOCK (REQUIRES 0.098 +0.002/-0.001 [2.49 +0.05/-0.03] THUR HOLE IN PCB).  
RECOMMENDED ON SYMMETRIC CONNECTORS.  
BOARD LOCK TO BE USED IN CONJUNCTION WITH A .092 PCB OR THICKER.  
C = NO RETENTION FEATURE.

- ⑨ MANUFACTURE'S NAME, P/N, AND DATE CODE TO APPEAR ON THIS SURFACE.
  - ⑩ THE MAXIMUM OVERALL LENGTH (DIM A) OF A PART IS 8.00 [203.2].
  - 11 PRODUCT SPECIFICATION GS-12-149.
  - 12 SEE PWRBLADE VERTICAL HEADER SPECIAL WORKSHEET (51696) FOR MATING LENGTH OPTIONS.
  - ⑬ DIMENSIONS AND TOLERANCES ARE IN ACCORDANCE WITH ASME Y14.5m, 1994 UNLESS OTHERWISE SPECIFIED.
- PCB NOTES:
- 14. ALL DIMENSIONS ARE BASIC UNLESS OTHERWISE SPECIFIED.
  - 15. ALL THROUGH HOLES ARE LOCATED WITH A TRUE POSITION OF 0.004 [0.10]
  - 16. ALL HOLE DIAMETERS ARE FINISHED HOLE SIZE
  - 17. Ø0.098 [2.49] THROUGH HOLES ARE UNPLATED.
  - 18. Ø0.0453±0.0010 [1.151±0.025] DRILLED HOLES PLATED WITH 0.0003 [0.008] MIN SnPb OVER 0.001 [0.03] TO 0.003 [0.08] Cu PLATING TO ACHIEVE A Ø0.040±0.003 [1.02±0.07] HOLE.
  - 19. FOR PRESSFIT APPLICATION USE FCI CAM TOOL 430169-XXX.

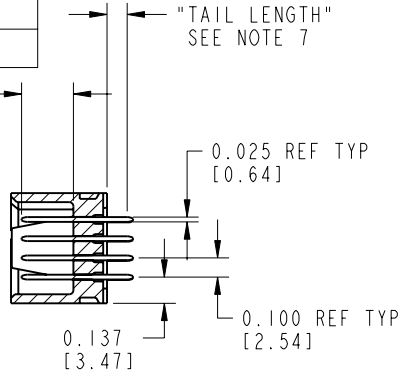
mat'l code		NOTE 2		tolerances unless otherwise specified		CUSTOMER		 www.fciconnect.com	
ltr	ecn no.	dr	date	linear	.XX±.01/0.X±0.3	projection	 title VERTICAL HEADER w/ GUIDE PIN POWER / SIGNAL / POWER		
M				angles	.XXX±.005/0.XX±0.13	 INCH/MM	product family	PWRBLADE	code
				dr	.XXX±.0020/.XXX±.051	scale	size	dwg no	213
				enrg	0°±2°	1:1	A	51700	sheet
				chr	J.RW 10-12-01				2
				oppd	J.ALLISON 10-12-01				
sheet index	revision sheet								

Tous droits strictement réservés. Reproduction ou communication o des liens interdite sous quelque forme que ce soit sans autorisation écrite du propriétaire. Propriété de c FCI. Droits de reproduction FCI.

All rights strictly reserved. Reproduction or issue to third parties in any form, whatever is not permitted without written authority from the proprietor. Property of FCI. Copyright FCI.

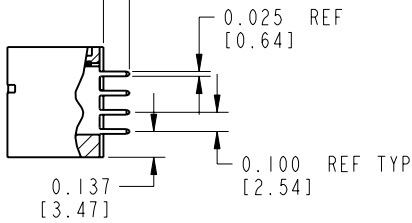
PRODUCT NUMBER  
**51700-ABBCCDDEF..**  
 Note: ①  
 SEE NOTE 1

0.270±0.010  
 [6.86±0.25]  
 (SEE NOTE 12)

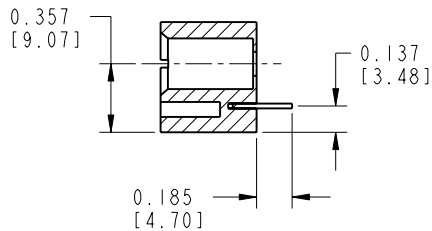


SECTION A-A

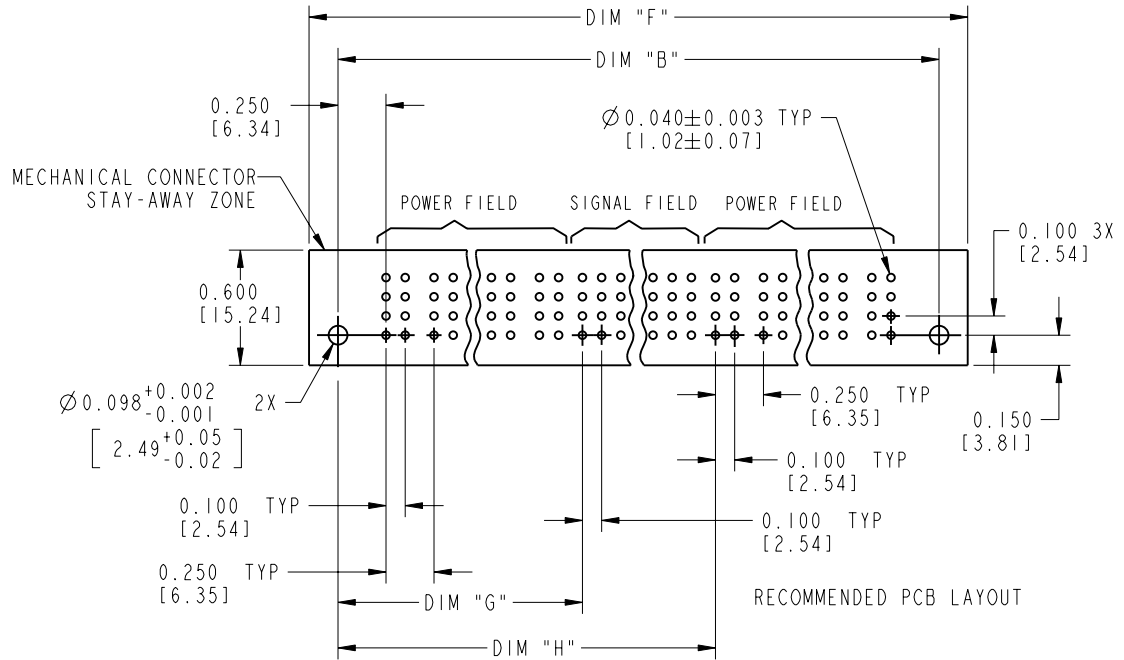
"TAIL LENGTH"  
 SEE NOTE 7



SECTION B-B



SECTION C-C



RECOMMENDED PCB LAYOUT

mat'l code		NOTE 2		tolerances unless otherwise specified		CUSTOMER		 www.fciconnect.com	
lfr	ecn no.	dr	date	linear	.XX±.01/0.X±0.3	COPY			
M				projection	.XXX±.005/0.XX±0.13			title <b>VERTICAL HEADER w/ GUIDE PIN                  POWER / SIGNAL / POWER</b>	
				angles	.XXX±.0020/.XXX±.051	INCH/MM 		product family PWRBLADE	
				dr	0°±2°	scale		code 213	
				enqr	JRW 10-12-01	A		size 51700	
				chr	J.ALLISON 10-12-01	1:1		sheet 3	
				appd	J.ALLISON 10-12-01			sheet 3	
sheet index	revision sheet								

cage code 22526

Pro/E

PDM: Rev:M

STATUS: Released

Printed: Aug 11, 2007