



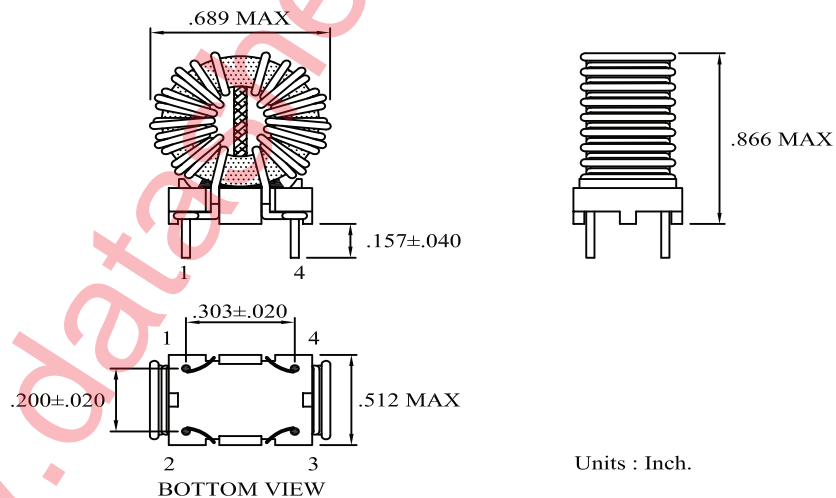
- Solid Base for Stable Mounting
- High Current Capability
- Excellent EMI Suppression
- Fixed Pins for easy PCB Insertion
- Cross to Wurth 744822 Series
- Operating temp: -40°C to +125°C



Electrical Specifications @25°C						
Part Number	Inductance (mH)	Tolerance Inductance	Rated Current (A)	DC Resistance (mΩ)	Insulation Test Voltage	Operating Voltage
VCMB744822-102N	1.0	±30%	3.0	35	1.5KV AC	250V AC
VCMB744822-222N	2.2	±30%	2.0	70	1.5KV AC	250V AC
VCMB744822-332N	3.3	±30%	1.5	120	1.5KV AC	250V AC
VCMB744822-103N	10	±30%	1.0	360	1.5KV AC	250V AC
VCMB744822-203N	20	±30%	0.5	540	1.5KV AC	250V AC

All specifications subject to change without notice.

## MECHANICAL



## SCHEMATICS

