

**RF Characteristics**



Frequency GHz	VSWR (max)	Isolation dB (min)	Ins. Loss dB (max)
0-1	1.10	85	0.10
1-4	1.15	80	0.15
4-8	1.20	70	0.20
8-12	1.30	65	0.30
12-18	1.35	60	0.35
*18-26.5	1.50	55	0.50

\* "K" option only. Ex: 403K-2208

Note: Typical performance dependent on selected options

**403 Series SPDT Failsafe, SMA**

**Specifications**

**Operating Voltage:**

(across temperature range)  
 12 Vdc (11-14 Vdc)  
 28 Vdc (24-32 Vdc)

**Coil Current (max @ nom.Vdc & 20°C):**

12 Vdc 195 mA  
 28 Vdc 95 mA

**Switching Time:**

15 mS maximum

**Operating Temperature:**

-25°C to +65°C (Standard)  
 -55°C to +85°C (Extended "T" Option)

**Mechanical Life, Cycles:**

1,000,000 minimum

**Vibration, Operating:**

10 G RMS, 20-2000 Hz

**Mechanical Shock, Non-Operating:**

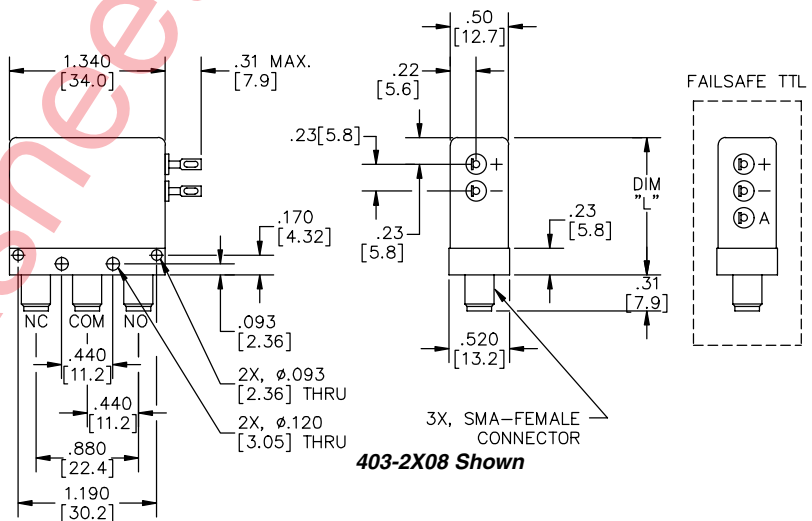
50 G, 1/2 Sine, 11 ms

**Nominal Weight:**

1.5 oz., (42g.)



DIM "L" (MAX)	MODEL	ELEC. SCHEM.
1.18[30.0]	403-2X08	1
1.40[35.6]	403-2X0802A	2



403-2X08 Shown

**Part Number Selection**

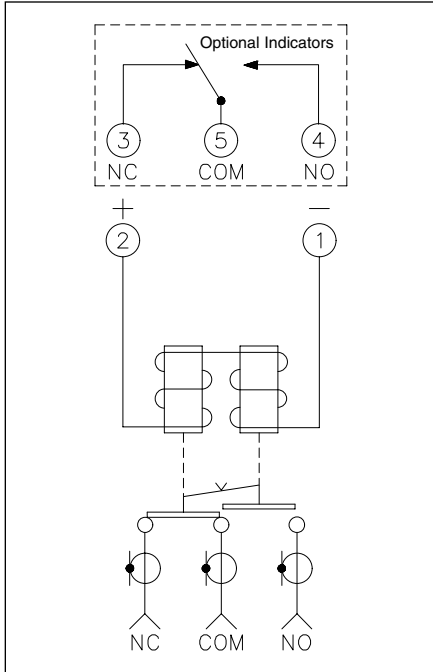
For Electrical Schematic see page # 1-5

403 **A** - **2** **2** **08** **02** **A**

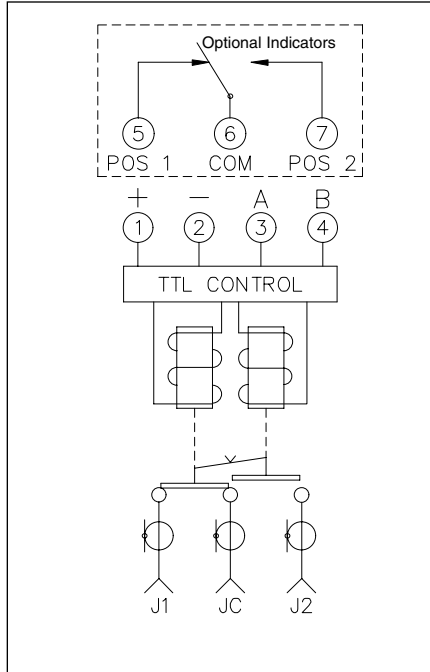
Special Options	Actuator	Coil Voltage	Connectors	Indicators	Circuit Options
A = High Power I = Immersion Seal K = 26.5 GHz S = Epoxy Seal T = -55°C to + 85°C	2 = Failsafe 6 = Failsafe with Suppression Diode	2 = 12Vdc 3 = 28Vdc 7 = 20Vdc 8 = 24Vdc 9 = 15Vdc	08 = SMA Female 19 = Pins, PC Board Mount	02 = No Indicators	A = TTL High



**1 401/403 Failsafe**



**2 401/403 Failsafe TTL**



**LOGIC TRUTH TABLE**

FAILSAFE TTL - SCH #2

LOGIC TRUTH TABLE		
RF PATH	INDICATOR PATH	LOGIC INPUT "A"
NC-COM	NC-COM	0
NO-COM	NO-COM	1

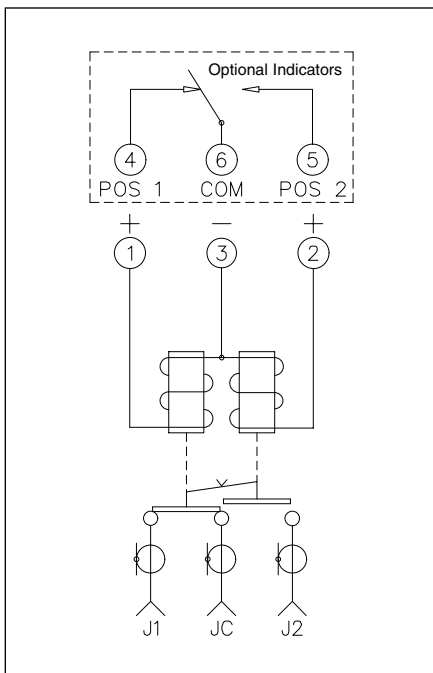
"0" = 0.0V-0.8V  
 "1" = 2.4V-5.5V

SELF CUTOFF TTL - SCH #5

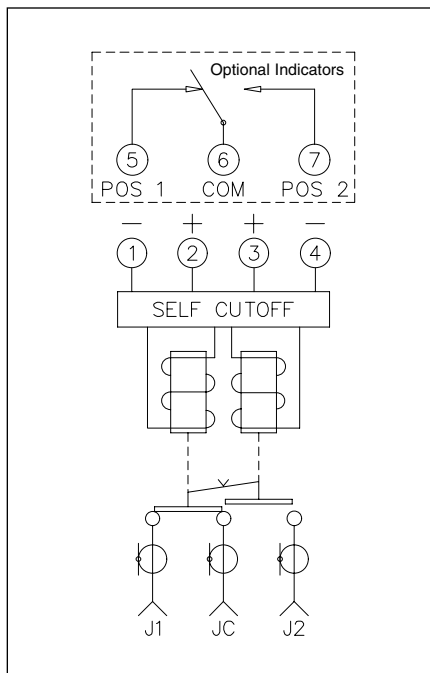
LOGIC TRUTH TABLE			
RF PATH	INDICATOR PATH	LOGIC INPUT "A"	LOGIC INPUT "B"
JC-J1	COM-1	1	0
JC-J2	COM-2	0	1

"0" = 0.0V-0.8V  
 "1" = 2.4V-5.5V

**3 401 Pulse Latch**



**4 401 Self Cutoff**



**5 401 Self Cutoff TTL**

