

# CERAMIC SMD ULTRA MINIATURE QUARTZ CRYSTAL



2.5 x 2.0 x 0.55 mm



ABM10

## FEATURES:

- IR reflow capable
- Tight stability available
- Ceramic package seam welded sealing assures high precision and reliability

## APPLICATIONS:

- Blue-tooth, Wireless applications
- Computers, Modems, Microprocessors
- Communication, Test equipment
- High density applications
- PCMCIA
- Portable radios and MP3 players

## STANDARD SPECIFICATIONS:

### PARAMETERS

ABRACON P/N	ABM10 Series
Frequency Range	16.000 MHz to 55.000 MHz (Contact ABRACON for >50MHz)
Operation Mode	Fundamental
Operating Temperature	- 10°C to + 60°C (see options)
Storage Temperature	- 40°C to + 85°C
Frequency Tolerance	± 20 ppm max. (see options)
Frequency Stability	± 30 ppm max. (see options)
Equivalent Series Resistance	See Table 1
Shunt Capacitance C <sub>0</sub>	7pF max.
Load Capacitance C <sub>L</sub>	10pF (see options)
Drive Level	100µW max., 10µW typical
Aging @ 25° C first year	± 5ppm max.
Insulation Resistance	500MΩ min with 100Vdc ± 15Vdc

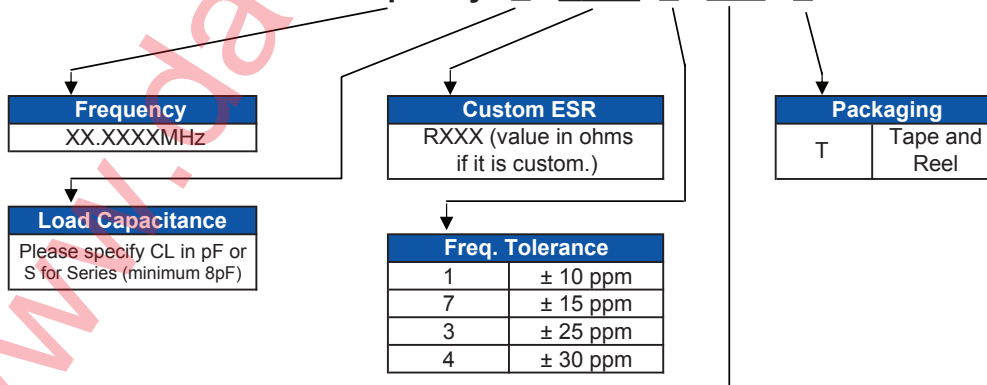
TABLE 1 - Standard ESR

FREQ (MHz)	ESR (Ω)max.
16.0 - 19.99	150
20.0 - 29.99	100
30.0 - 55.0	70

## OPTIONS & PART IDENTIFICATION:

(Left blank if standard)

ABM10 - Frequency - □ - R□□□ - □ - □□□ - □



Temp.	±10ppm	±15ppm	±20ppm	± 30ppm	±50ppm	±100ppm
0°C to 50°C	I10	I15	I20	I30	I50	I100
-10°C to 60°C	A10	A15	A20	<b>STD</b>	A50	A100
-20°C to 70°C	X	E15	E20	E30	E50	E100
-30°C to 70°C	X	C15	C20	C30	C50	C100
-30°C to 85°C	X	N15	N20	N30	N50	N100
-40°C to 85°C	X	X	X	D30	D50	D100

ABRACON IS  
ISO 9001 / QS 9000  
CERTIFIED



Visit [www.abracon.com](http://www.abracon.com) for Terms & Conditions of Sale **Revised: 11.17.08**

30332 Esperanza, Rancho Santa Margarita, California 92688

tel 949-546-8000 | fax 949-546-8001 | [www.abracon.com](http://www.abracon.com)

# CERAMIC SMD ULTRA MINIATURE QUARTZ CRYSTAL



ABM10

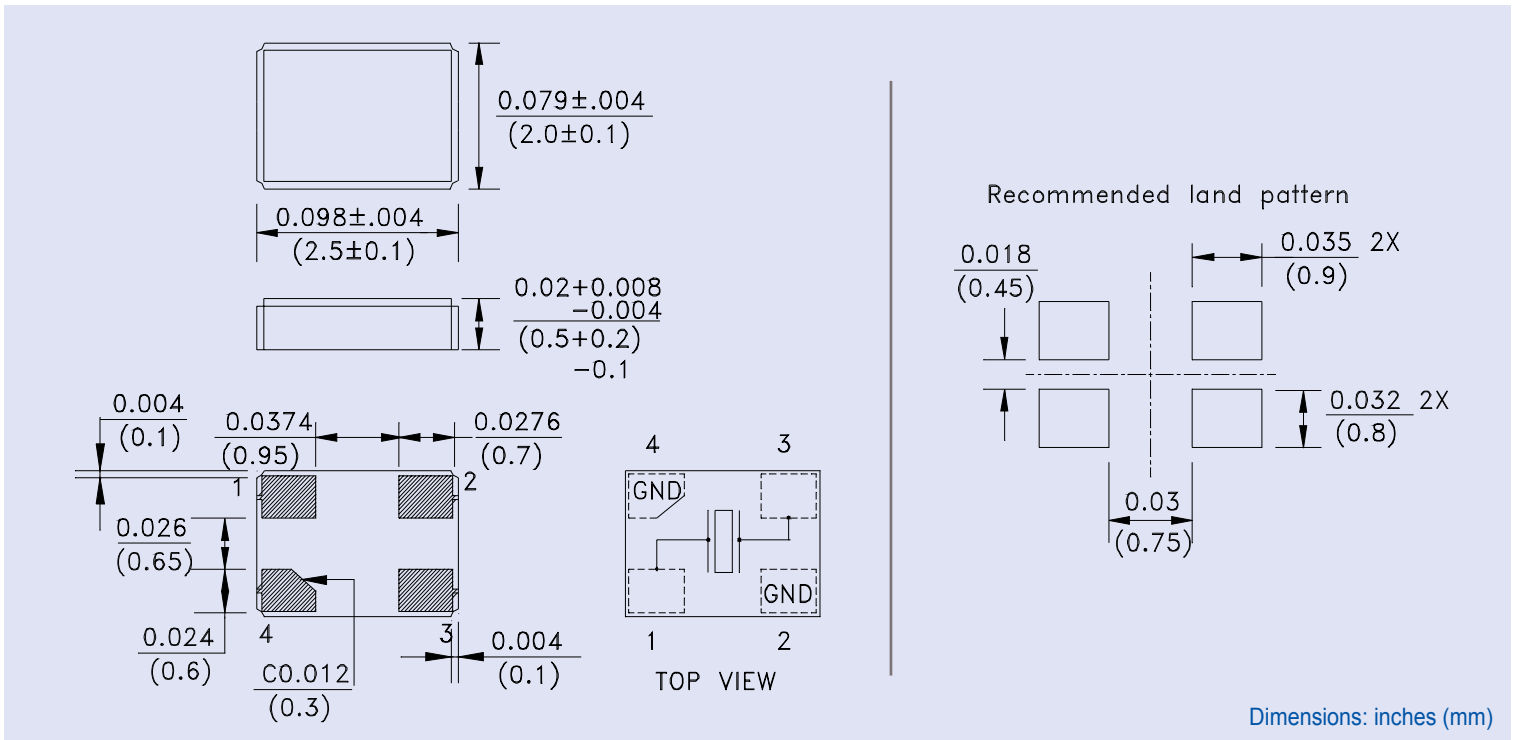
2.5 x 2.0 x 0.55 mm



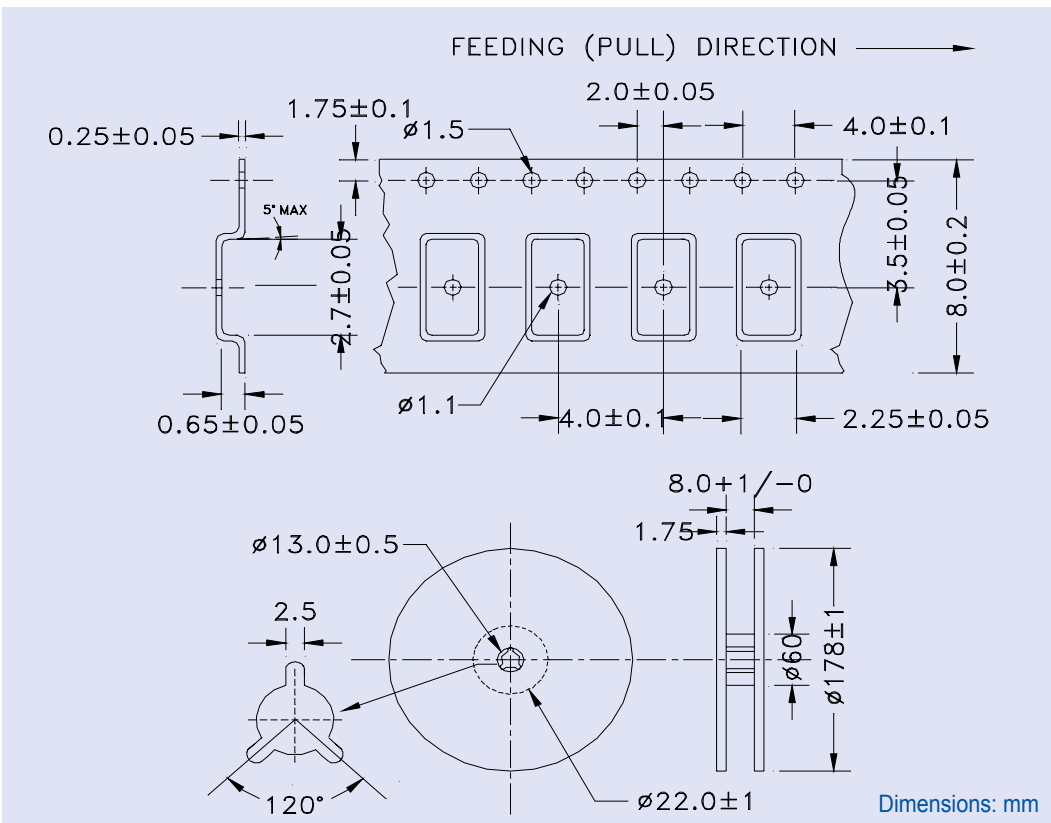
RoHS  
Compliant

ABM10

## OUTLINE DRAWING:



## TAPE & REEL:



ABRACON IS  
ISO 9001 / QS 9000  
CERTIFIED



Visit [www.abracon.com](http://www.abracon.com) for Terms & Conditions of Sale **Revised: 11.17.08**  
30332 Esperanza, Rancho Santa Margarita, California 92688  
tel 949-546-8000 | fax 949-546-8001 | [www.abracon.com](http://www.abracon.com)