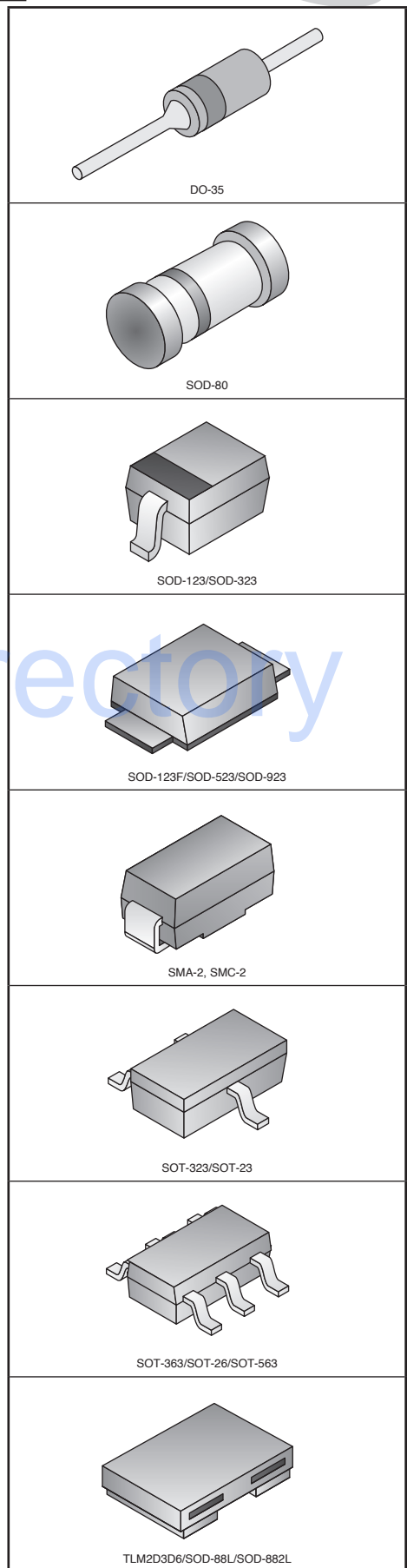


# CENTRAL Diodes

Products may be RoHS compliant. Check mouser.com for RoHS status.

## SWITCHING DIODES

MOUSER STOCK NO.	Central Part No.	Package	I <sub>o</sub> (mA)	I <sub>F</sub> (mA)	V <sub>RRM</sub> (V)	PD (mW)	Price Each			
							1	10	100	1000
							For quantities greater than listed, call for quote.			
◆ 610-CFSH2-3L	CFSH2-3L	SOD-88L	-	200	30	100	.51	.433	.228	.204
◆ 610-CFSH-4	CFSH-4	SOD-882L	-	200	40	100	.53	.465	.263	.24
◆ 610-1N4152	1N4152	DO-35	150	-	40	500	.51	.433	.228	.204
◆ 610-CMHD3595	CMHD3595	SOD-123	150	-	150	400	.66	.574	.324	.296
◆ 610-CMXD2004	CMXD2004	SOT-26	200	225	300	250	.61	.529	.299	.273
◆ 610-1N3600	1N3600	DO-35	200	400	50	500	.44	.379	.20	.179
◆ 610-CMSD2836	CMSD2836	SOT-323	200	-	75	275	.49	.361	.168	.151
◆ 610-CMSD2838	CMSD2838	SOT-323	200	-	75	275	.42	.315	.146	.132
◆ 610-CMSD7000	CMSD7000	SOT-323	200	-	100	275	.49	.423	.222	.199
◆ 610-CMPD2836E	CMPD2836E	SOT-23	200	-	120	350	.48	.357	.166	.149
◆ 610-CMPD2838E	CMPD2838E	SOT-23	200	-	120	350	.52	.386	.18	.162
◆ 610-CMPD7000E	CMPD7000E	SOT-23	200	-	120	350	.49	.423	.222	.199
◆ 610-CMPD3003A	CMPD3003A	SOT-23	200	-	180	350	.42	.359	.189	.169
◆ 610-CMPD3003S	CMPD3003S	SOT-23	200	-	180	350	.59	.514	.29	.265
◆ 610-CMLD2004DO	CMLD2004DO	SOT-563	200	-	300	250	.55	.484	.273	.25
◆ 610-CMLD2004S	CMLD2004S	SOT-563	200	-	300	250	.55	.484	.273	.25
◆ 610-CMOD2004	CMOD2004	SOT-563	200	-	300	250	.62	.544	.307	.281
◆ 610-CMPD2004	CMPD2004	SOT-23	200	-	300	350	.53	.451	.237	.212
◆ 610-CMPD2004S	CMPD2004S	SOT-23	200	-	300	350	.62	.539	.304	.278
◆ 610-CMPD2005S	CMPD2005S	SOT-23	200	-	350	350	.65	.571	.322	.294
◆ 610-CMSD2004S	CMSD2004S	SOT-323	-	225	300	275	.62	.544	.307	.281
◆ 610-CLL914	CLL914-TR	SOD-80	-	250	100	500	.39	.252	.101	.092
◆ 610-CMKD6001	CMKD6001	SOT-363	-	250	100	250	.53	.458	.241	.216
◆ 610-CMLD6001DO	CMLD6001DO	SOT-563	-	250	100	250	.55	.484	.273	.25
◆ 610-CMOD4448	CMOD4448	SOD-523	-	250	100	250	.49	.423	.222	.199
◆ 610-CMOD6001	CMOD6001	SOD-523	-	250	100	250	.62	.544	.307	.281
◆ 610-CMPD4448	CMPD4448	SOT-23	-	250	100	350	.40	.342	.18	.161
◆ 610-CMPD6001	CMPD6001	SOT-23	-	250	100	350	.58	.493	.26	.232
◆ 610-CMPD6001A	CMPD6001A	SOT-23	-	250	100	350	.47	.401	.211	.189
◆ 610-CMPD6001S	CMPD6001S	SOT-23	-	250	100	350	.86	.706	.587	.41
◆ 610-CMPD914	CMPD914	SOT-23	-	250	100	350	.42	.267	.098	.088
◆ 610-CMXD6001	CMXD6001	SOT-26	-	250	100	350	.66	.575	.324	.297
◆ 610-CMLD4448	CMLD4448	SOT-563	-	250	120	300	.48	.357	.166	.149
◆ 610-CMLD4448DO	CMLD4448DO	SOT-563	-	250	120	300	.48	.356	.166	.149
◆ 610-CMPD914E	CMPD914E	SOT-23	-	250	120	350	.42	.267	.098	.088
◆ 610-CMAD6001	CMAD6100	SOD-923	250	-	100	100	.49	.361	.168	.151



## SCHOTTKY DIODES

MOUSER STOCK NO.	Central Part No.	Package	V <sub>RRM</sub> (V)	I <sub>F</sub> (mA)	PD (mW)	Price Each			
						1	10	100	1000
						For quantities greater than listed, call for quote.			
◆ 610-CFSH05-20LTR	CFSH05-20L	SOD-882L-2	20	500	100	.43	.323	.15	.135
◆ 610-CMLSH05-10DATA	CMLSH05-10DA	SOT-563-6	20	500	250	.57	.496	.28	.256
◆ 610-CFSH01-30L	CFSH01-30L	SOD-882L	30	100	100	.51	.433	.228	.204
◆ 610-CMOSH-3	CMOSH-3	SOD-523	30	100	250	.75	.657	.371	.339
◆ 610-CMDSH-3	CMDSH-3	SOD-323	30	750	250	.70	.606	.342	.312
◆ 610-CMSSH-3S	CMSSH-3S	SOT-323	30	100	275	.59	.517	.292	.267
◆ 610-CMPSH-3C	CMPSH-3C	SOT-23	30	100	350	.75	.651	.368	.336
◆ 610-CMSSH-3E	CMSSH-3E	SOT-323	40	200	250	.49	.423	.222	.199
◆ 610-CMOSH-4E	CMOSH-4E	SOD-523	40	200	250	.45	.387	.204	.182
◆ 610-CMXSH2-4LS	CMXSH2-4LS	SOT-26	40	200	350	.79	.651	.542	.378
◆ 610-CMPSH-3AE	CMPSH-3AE	SOT-23	40	200	350	.53	.455	.239	.214
◆ 610-CMPSH-3CE	CMPSH-3CE	SOT-23	40	200	350	.46	.344	.16	.144
◆ 610-CMPSH-3E	CMPSH-3E	SOT-23	40	200	350	.49	.361	.168	.151
◆ 610-CMPSH-3SE	CMPSH-3SE	SOT-23	40	200	350	.45	.387	.204	.182
◆ 610-CMDD6263	CMDD6263	SOD-323	70	15	250	.62	.544	.307	.281
◆ 610-CMKD6263	CMKD6263	SOT-363	70	15	250	.62	.544	.307	.281
◆ 610-CMLD6263	CMLD6263	SOT-563	70	15	250	.39	.338	.178	.159
◆ 610-CMOD6263	CMOD6263	SOD-523	70	15	250	.44	.377	.198	.177
◆ 610-CMSD6263S	CMSD6263S	SOT-323	70	15	275	.51	.433	.228	.204
◆ 610-CMPD6263	CMPD6263	SOT-23	70	15	350	.88	.768	.434	.396
◆ 610-CMPD6263C	CMPD6263C	SOT-23	70	15	350	.42	.359	.189	.169
◆ 610-CMPD6263S	CMPD6263S	SOT-23	70	15	350	.66	.575	.324	.297

## LOW NOISE ZENER DIODES

MOUSER STOCK NO.	Central Part No.	Package	V <sub>RRM</sub> (V)	I <sub>F</sub> (mA)	PD (mW)	Price Each			
						1	10	100	1000
						For quantities greater than listed, call for quote.			
◆ 610-CMHZ4678	CMHZ4678	SOD-123	500	1.8	0.5	.38	.325	.171	.153
◆ 610-CMHZ4693	CMHZ4693	SOD-123	500	7.5	0.5	.38	.325	.171	.153

## TRANSIENT VOLTAGE SUPPRESSOR DIODES (TVS)

• Polarity: Unidirectional

MOUSER STOCK NO.	Central Part No.	Package	Clamping Voltage (V)	Breakdown Voltage (V)	PD (W)	Price Each			
						1	10	100	1000
						For quantities greater than listed, call for quote.			
◆ 610-CMF5.0A	CMF5.0A	SOD-123F	9.2	7	200	.77	.67	.378	.346
◆ 610-CTLTVS6V2TR	CTLTVS6V2	TLM2D3D6-2	10.7	6.2	35	.51	.433	.228	.204
◆ 610-CMOTVS5V7TR	CMOTVS5V7	SOD-523-2	12	6.7	66	.42	.361	.19	.17
◆ 610-CFTVS5V0BULCTR	CFTVS5V0BULC TR	SOD-882L-2	14	10	14	.48	.353	.164	.148
◆ 610-5SMC33ATR13	5SMC33A TR13	SMC-2	53.3	42.2	5000	2.36	2.10	1.68	1.21
◆ 610-CMPESD24CATR	CMPESD24CA TR	SOT-23	70	30.3	210	.49	.366	.17	.153
◆ 610-CMF170A	CMF170A	SOD-123F	275	209	200	.77	.67	.378	.346

## CURRENT REGULATING DIODES

MOUSER STOCK NO.	Central Part No.	Package	I <sub>F</sub> (mA)	POV (V)	PD (mW)	Price Each			
						1	10	100	1000
						For quantities greater than listed, call for quote.			
610-1N5314	1N5314	DO-35	4.7	100	600	5.85	5.80	4.77	3.48
◆ 610-CMJH150	CMJH150	SOT-563	18	50	500	5.99	5.35	4.87	3.33