

LOW-INPUT VOLTAGE-MODE SYNCHRONOUS BUCK CONTROLLER

FEATURES

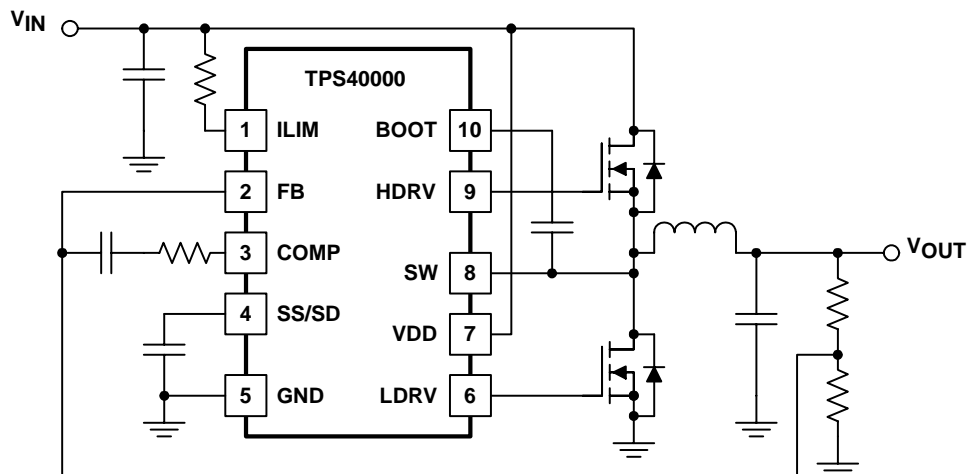
- Operating Input Voltage 2.25 V to 5.5 V
- Output Voltage as Low as 0.7 V
- 1% Internal 0.7 V Reference
- Predictive Gate Drive™ N-Channel MOSFET Drivers for Higher Efficiency
- Externally Adjustable Soft-Start and Overcurrent Limit
- Fixed-Frequency, 300-kHz or 600-kHz, Voltage-Mode Control
- Source-Only Current or Source/Sink Current
- 10-Lead MSOP PowerPad™ Package for Higher Performance

APPLICATIONS

- Networking Equipment
- Telecom Equipment
- Base Stations
- Servers
- DSP Power

DESCRIPTION

The TPS4000x are controllers for low-voltage, non-isolated synchronous buck regulators. These controllers use a topside N-type MOSFET for the primary buck switch. While a topside N-channel does require a bootstrap circuit to be fully turned on, the extra complexity is more than compensated for by the fact that N-type devices provide lower on-resistance for a given device size and gate charge. The chip controls the delays from main switch off to rectifier turn-on and from rectifier turn-off to main switch turn-on in such a way as to minimize diode losses (both conduction and recovery) in the synchronous rectifier with TI's proprietary Predictive Gate Drive™ technology. The reduction in these losses is significant; for a given converter power level, smaller FETs can be used, or heat sinking can be reduced or even eliminated.



UDG-01141

PowerPAD™ and Predictive Gate Drive™ are trademarks of Texas Instruments Incorporated.

PRODUCTION DATA information is current as of publication date. Products conform to specifications per the terms of Texas Instruments standard warranty. Production processing does not necessarily include testing of all parameters.

TPS40000, TPS40001 TPS40002, TPS40003

SLUS507A – JANUARY 2002 – REVISED JUNE 2002

description (continued)

The controllers include a current-limit function that provides pulse-by-pulse current limiting as well as integration of overcurrent pulses to determine the existence of a fault condition at the converter output. If a fault is detected, the converter shuts down for a period of time and then restarts. The current-limit threshold is adjustable with a single resistor connected to the device. The TPS4000x controllers implement a closed-loop soft start function. Startup ramp time is set by a single external capacitor connected to the SS/SD pin. The SS/SD pin is also used for shutdown.

absolute maximum ratings over operating free-air temperature (unless otherwise noted)†

Input voltage range:	BOOT	$V_{SW} + 6\text{ V}$
	VDD	6.0 V
	SW	10.5 V
Operating temperature range, T_J		-40°C to 85°C
Storage temperature range, T_{stg}		-55°C to 150°C
Lead temperature 1,6 mm (1/16 inch) from case for 10 seconds		260°C

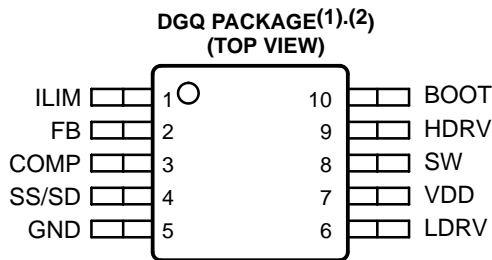
† Stresses beyond those listed under “absolute maximum ratings” may cause permanent damage to the device. These are stress ratings only, and functional operation of the device at these or any other conditions beyond those indicated under “recommended operating conditions” is not implied. Exposure to absolute-maximum-rated conditions for extended periods may affect device reliability.

AVAILABLE OPTIONS

		PACKAGED DEVICES MSOP† (DGQ)	
		DCM ENABLE‡	
T_A	FREQUENCY	YES	NO
-40°C to 85°C	300 kHz	TPS40000DGQ	TPS40001DGQ
	600 kHz	TPS40002DGQ	TPS40003DGQ

† The DGQ package is available taped and reeled. Add R suffix to device type (e.g. TPS40000DGQR) to order quantities of 2,500 devices per reel and 80 units per tube.

‡ DCM (discontinuous conduction mode) enable occurs when the synchronous rectifier turns off to stop reverse current flow (source only).



ACTUAL SIZE
3,05mm x 4,98mm

- (1) See technical brief SLMA002 for PCB guidelines for PowerPAD packages.
- (2) PowerPAD™ heat slug can be connected to GND (pin 5).

electrical characteristics over recommended operating temperature range, $T_A = -40^\circ\text{C}$ to 85°C , $V_{DD} = 5.0\text{ V}$, $T_A = T_J$ (unless otherwise noted)

input supply

PARAMETER		TEST CONDITIONS	MIN	TYP	MAX	UNIT
V_{DD}	Input voltage range		2.25		5.5	V
V_{HGATE}	High-side gate voltage	$V_{BOOT} - V_{SW}$			5.5	
I_{DD}	Shutdown current	SS/SD = 0 V, Outputs off		0.25	0.45	mA
	Quiescent current	FB = 0.8 V		1.4	2.0	
	Switching current	No load at HDRV/LDRV		1.5	4.0	
UVLO	Minimum on-voltage		1.95	2.05	2.15	V
	Hysteresis		80	140	200	mV

oscillator

PARAMETER		TEST CONDITIONS	MIN	TYP	MAX	UNIT
f_{OSC}	Oscillator frequency	$2.25\text{ V} \leq V_{DD} \leq 5.00$	250	300	350	kHz
			500	600	700	
V_{RAMP}	Ramp voltage	$V_{PEAK} - V_{VALLEY}$	0.80	0.93	1.07	V
	Ramp valley voltage		0.24	0.31	0.41	

PWM

PARAMETER		TEST CONDITIONS	MIN	TYP	MAX	UNIT
Maximum duty cycle(2)	TPS40000 TPS40001	FB = 0 V, $V_{DD} = 3.3\text{ V}$	87%	94%	97%	
	TPS40002 TPS40003		83%	93%	97%	
Minimum duty cycle					0%	

error amplifier

PARAMETER		TEST CONDITIONS	MIN	TYP	MAX	UNIT
V_{FB}	FB input voltage	Line, Temperature	0.689	0.700	0.711	V
		$T_J = 25^\circ\text{C}$	0.693	0.700	0.707	
FB input bias current				30	130	nA
V_{OH}	High-level output voltage	FB = 0 V, $I_{OH} = 0.5\text{ mA}$	2.0	2.5		V
V_{OL}	Low-level output voltage	FB = V_{DD} , $I_{OL} = 0.5\text{ mA}$		0.08	0.15	
I_{OH}	Output source current	COMP = 0.7 V, FB = GND	2	6		mA
I_{OL}	Output sink current	COMP = 0.7 V, FB = V_{DD}	3	8		
G_{BW}	Gain bandwidth(1)		5	10		MHz
A_{OL}	Open loop gain		55	85		dB

(1) Ensured by design. Not production tested.

(2) At V_{DD} input voltage of 2.25 V, derate the maximum duty cycle by 3%.

TPS40000, TPS40001 TPS40002, TPS40003

SLUS507A – JANUARY 2002 – REVISED JUNE 2002

electrical characteristics over recommended operating temperature range, $T_A = -40^\circ\text{C}$ to 85°C , $V_{DD} = 5.0\text{ V}$, $T_A = T_J$ (unless otherwise noted)

current limit

PARAMETER		TEST CONDITIONS	MIN	TYP	MAX	UNIT
I _{SINK}	ILIM sink current	V _{DD} = 5 V	11	15	19	μA
		V _{DD} = 2.25 V	9.5	13.0	16.5	
V _{OS}	Offset voltage SW vs ILIM ⁽¹⁾	2.25 V ≤ V _{DD} ≤ 5.00	-20	0	20	mV
V _{ILIM}	Input voltage range		2		V _{DD}	V
t _{ON}	Minimum HDRV pulse time in overcurrent	V _{DD} = 3.3 V		200	300	ns
	SW leading edge blanking pulse in overcurrent detection			100		
t _{SS}	Soft-start capacitor cycles as fault timer ⁽¹⁾		6	6	6	

rectifier zero current comparator

PARAMETER		TEST CONDITIONS	MIN	TYP	MAX	UNIT
V _{SW}	Sense voltage to turn off rectifier	TPS40000 TPS40002 LDRV output OFF	-15	-7	-2	mV
	SW leading edge blanking pulse in zero current detection			75		ns

predictive delay

PARAMETER		TEST CONDITIONS	MIN	TYP	MAX	UNIT
V _{SWP}	Sense threshold to modulate delay time			-350		mV
T _{LDHD}	Maximum delay modulation range time	LDRV OFF – to – HDRV ON	50	75	100	ns
	Predictive counter delay time per bit	LDRV OFF – to – HDRV ON	3.0	4.5	6.2	
T _{HDLD}	Maximum delay modulation range	HDRV OFF – to – LDRV ON	40	65	90	ns
	Predictive counter delay time per bit	HDRV OFF – to – LDRV ON	2.4	4.0	5.6	

shutdown

PARAMETER		TEST CONDITIONS	MIN	TYP	MAX	UNIT
V _{SD}	Shutdown threshold voltage	Outputs OFF	0.09	0.13	0.18	V
V _{EN}	Device active threshold voltage		0.14	0.17	0.21	V

soft start

PARAMETER		TEST CONDITIONS	MIN	TYP	MAX	UNIT
I _{SS}	Soft-start source current	Outputs OFF	2.0	3.7	5.4	μA
V _{SS}	Soft-start clamp voltage		1.1	1.5	1.9	V

bootstrap

PARAMETER		TEST CONDITIONS	MIN	TYP	MAX	UNIT
R _{BOOT}	Bootstrap switch resistance	V _{DD} = 3.3 V		50	100	Ω
		V _{DD} = 5 V		35	70	

(1) Ensured by design. Not production tested.

(2) At V_{DD} input voltage of 2.25 V, derate the maximum duty cycle by 3%.

electrical characteristics over recommended operating temperature range, $T_A = -40^\circ\text{C}$ to 85°C , $V_{DD} = 5.0\text{ V}$, $T_A = T_J$ (unless otherwise noted)

output driver

PARAMETER		TEST CONDITIONS	MIN	TYP	MAX	UNIT
R_{HDHI}	HDRV pull-up resistance	$V_{BOOT} - V_{SW} = 3.3\text{ V}$, $I_{SOURCE} = -100\text{ mA}$		3	5.5	Ω
R_{HDLO}	HDRV pull-down resistance	$V_{BOOT} - V_{SW} = 3.3\text{ V}$, $I_{SINK} = 100\text{ mA}$		1.5	3	
R_{LDHI}	LDRV pull-up resistance	$V_{DD} = 3.3\text{ V}$, $I_{SOURCE} = -100\text{ mA}$		3	5.5	
R_{LDLO}	LDRV pull-down resistance	$V_{DD} = 3.3\text{ V}$, $I_{SINK} = 100\text{ mA}$		1.0	2.0	
t_{RISE}	LDRV rise time	$C_{LOAD} = 1\text{ nF}$		15	35	ns
t_{FALL}	LDRV fall time			10	25	
	HDRV rise time			15	35	
	HDRV fall time			10	25	

thermal shutdown

PARAMETER		TEST CONDITIONS	MIN	TYP	MAX	UNIT
t_{SD}	Shutdown temperature ⁽¹⁾			165		$^\circ\text{C}$
	Hysteresis ⁽¹⁾			15		

(1) Ensured by design. Not production tested.

(2) At V_{DD} input voltage of 2.25 V, derate the maximum duty cycle by 3%.

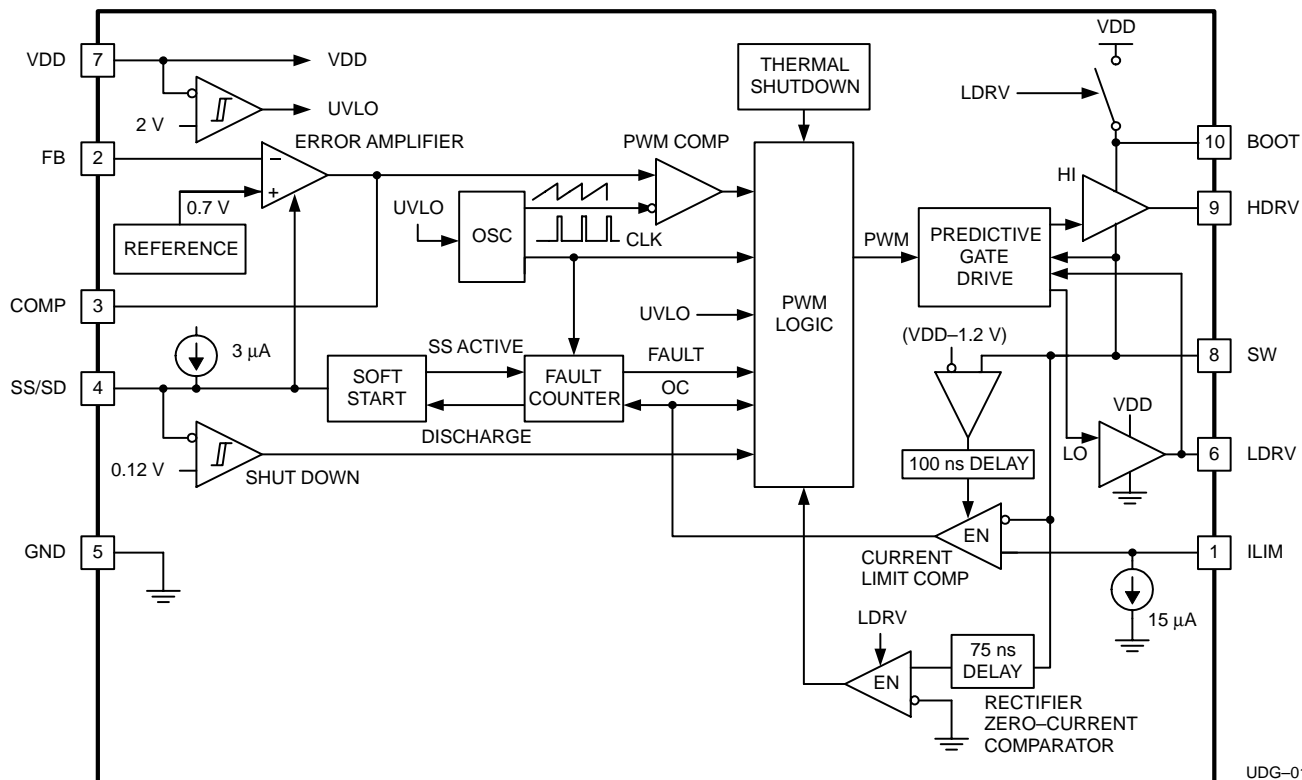
**TPS40000, TPS40001
TPS40002, TPS40003**

SLUS507A – JANUARY 2002 – REVISED JUNE 2002

Terminal Functions

TERMINAL		I/O	DESCRIPTION
NAME	NO.		
BOOT	10	O	Provides a bootstrapped supply for the topside MOSFET driver, enabling the gate of the topside MOSFET to be driven above the input supply rail
COMP	3	O	Output of the error amplifier
FB	2	I	Inverting input of the error amplifier. In normal operation the voltage at this pin is the internal reference level of 700 mV.
GND	5	–	Power supply return for the device. The power stage ground return on the board requires a separate path from other sensitive signal ground returns.
HDRV	9	O	This is the gate drive output for the topside N-channel MOSFET. HDRV is bootstrapped to near $2 \times V_{DD}$ for good enhancement of the topside MOSFET.
ILIM	1	I	A resistor is connected between this pin and VDD to set up the over current threshold voltage. A 15- μ A current sink at the pin establishes a voltage drop across the external resistor that represents the drain-to-source voltage across the top side N-channel MOSFET during an over current condition. The ILIM over current comparator is blanked for the first 100 ns to allow full enhancement of the top MOSFET. Set the ILIM voltage level such that it is within 800 mV of VDD; that is, $(V_{DD} - 0.8) \leq I_{LIM} \leq V_{DD}$.
LDRV	6	O	Gate drive output for the low-side synchronous rectifier N-channel MOSFET
SS/SD	4	I	Soft-start and overcurrent fault shutdown times are set by charging and discharging a capacitor connected to this pin. A closed loop soft-start occurs when the internal 3- μ A current source charges the external capacitor from 0.17 V to 0.70 V. During the soft-start period, the current sink capability of the TPS40001 and TPS40003 is disabled. When the SS/SD voltage is less than 0.12 V, the device is shut-down and the HDRV and LDRV are driven low. In normal operation, the capacitor is charged to 1.5 V. When a fault condition is asserted, the HDRV is driven low, and the LDRV is driven high. The soft-start capacitor goes through six charge/discharge cycles, restarting the converter on the seventh cycle.
SW	8	O	Connect to the switched node on the converter. This pin is used for overcurrent sensing in the topside N-channel MOSFET, zero current sensing in synchronous rectifier N-channel MOSFET, and level sensing for predictive delay circuit. Overcurrent is determined, when the topside N-channel MOSFET is on, by comparing the voltage on SW with respect to VDD and the voltage on the ILIM with respect to VDD. Zero current is sensed, when the rectifier N-channel MOSFET is on, by measuring the voltage on SW with respect to ground. Zero current sensing applies to the TPS40000/2 devices only.
VDD	7	I	Power input for the chip, 5.5-V maximum. Decouple close to the pin with a low-ESR capacitor, 1- μ F or larger.

functional block diagram



UDG-01142

APPLICATION INFORMATION

The TPS4000x series of synchronous buck controller devices is optimized for high-efficiency dc-to-dc conversion in non-isolated distributed power systems. A typical application circuit is shown in Figure 1.

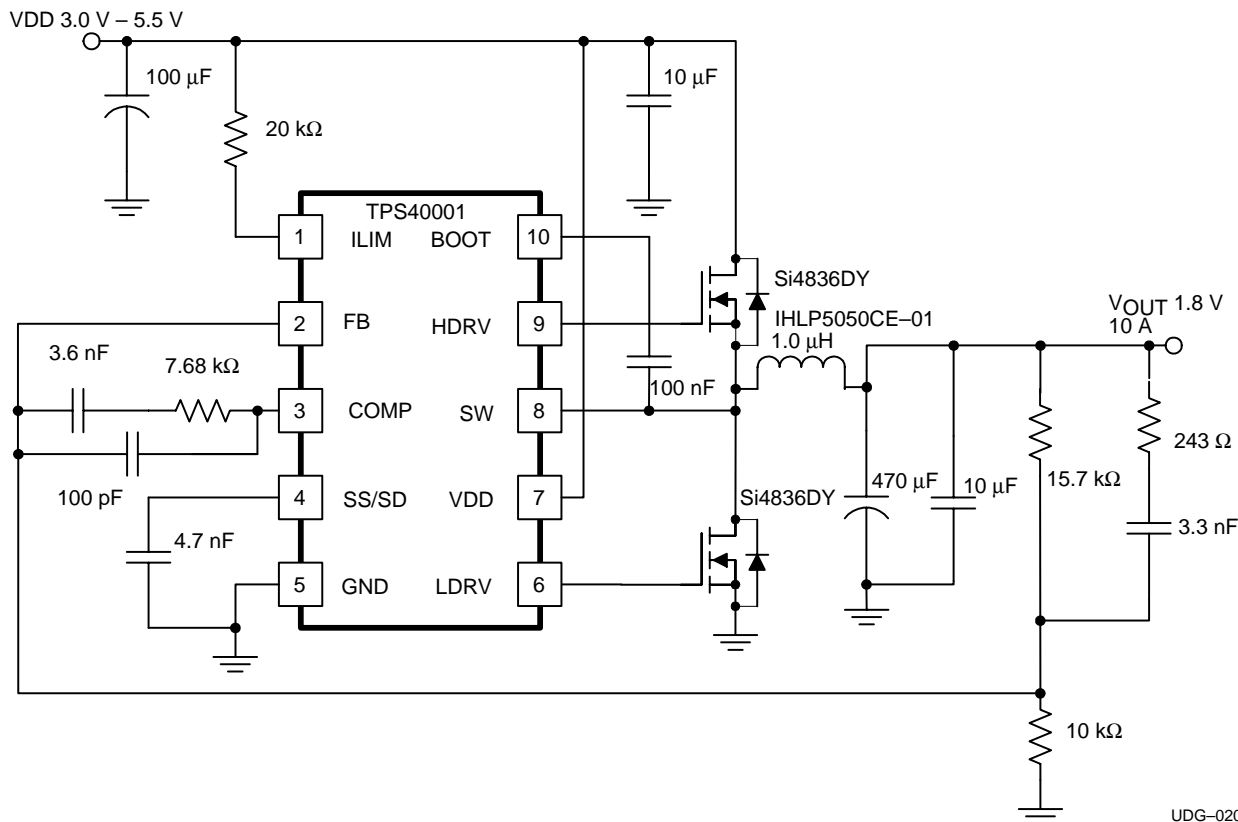


Figure 1. Typical Application Circuit

error amplifier

The error amplifier has a bandwidth of greater than 5 MHz, with open loop gain of at least 55 dB. The COMP output voltage is clamped to a level above the oscillator ramp in order to improve large-scale transient response.

oscillator

The oscillator uses an internal resistor and capacitor to set the oscillation frequency. The ramp waveform is a triangle at the PWM frequency with a peak voltage of 1.25 V, and a valley of 0.25 V. The PWM duty cycle is limited to a maximum of 95%, allowing the bootstrap capacitor to charge during every cycle.

APPLICATION INFORMATION

bootstrap/charge pump

There is an internal switch between VDD and BOOT. This switch charges the external bootstrap capacitor for the floating supply. If the resistance of this switch is very high for the application, an external schottky diode between VDD and BOOT can be used. The peak voltage on the bootstrap capacitor is approximately equal to VDD.

driver

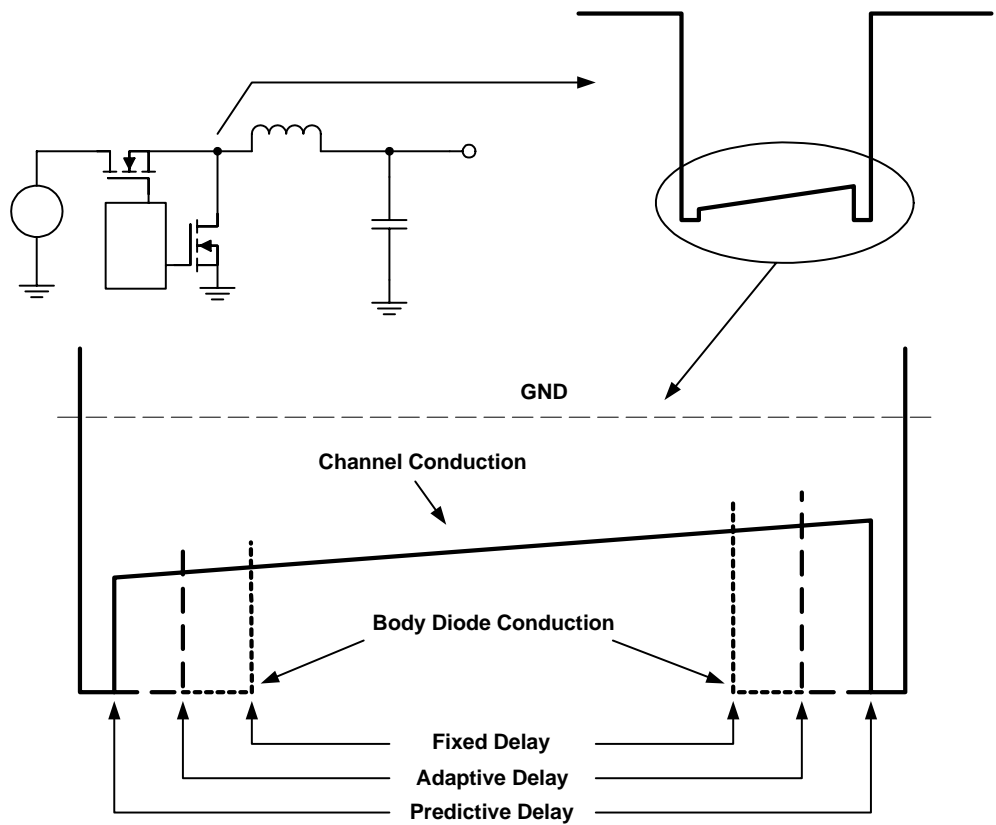
The HDRV and LDRV MOSFET drivers are capable of driving gate-to-source voltages up to 5.5 V. At $V_{IN} = 5$ V and using appropriate MOSFETs, a 20-A converter can be achieved. The LDRV driver switches between VDD and ground, while the HDRV driver is referenced to SW and switches between BOOT and SW. The maximum voltage between BOOT and SW is 5.5 V.

synchronous rectification and predictive delay

In a normal buck converter, when the main switch turns off, current is flowing to the load in the inductor. This current cannot be stopped immediately without using infinite voltage. For the current path to flow and maintain voltage levels at a safe level, a rectifier or catch device is used. This device can be either a conventional diode, or it can be a controlled active device if a control signal is available to drive it. The TPS4000x provides a signal to drive an N-channel MOSFET as a rectifier. This control signal is carefully coordinated with the drive signal for the main switch so that there is minimum delay from the time that the rectifier MOSFET turns off and the main switch turns on, and minimum delay from when the main switch turns off and the rectifier MOSFET turns on. This scheme, Predictive Gate Drive™ delay, uses information from the current switching cycle to adjust the delays that are to be used in the next cycle. Figure 2 shows the switch-node voltage waveform for a synchronously rectified buck converter. Illustrated are the relative effects of a fixed-delay drive scheme (constant, pre-set delays for the turn-off to turn-on intervals), an adaptive delay drive scheme (variable delays based upon voltages sensed on the current switching cycle) and the predictive delay drive scheme.

Note that the longer the time spent in diode conduction during the rectifier conduction period, the lower the efficiency. Also, not described in Figure 2 is the fact that the predictive delay circuit can prevent the body diode from becoming forward biased at all while at the same time avoiding cross conduction or shoot through. This results in a significant power savings when the main MOSFET turns on, and minimizes reverse recovery loss in the body diode of the rectifier MOSFET.

APPLICATION INFORMATION



UDG-01144

Figure 2. Switch Node Waveforms for Synchronous Buck Converter

overcurrent

Overcurrent conditions in the TPS4000x are sensed by detecting the voltage across the main MOSFET while it is on.

basic description

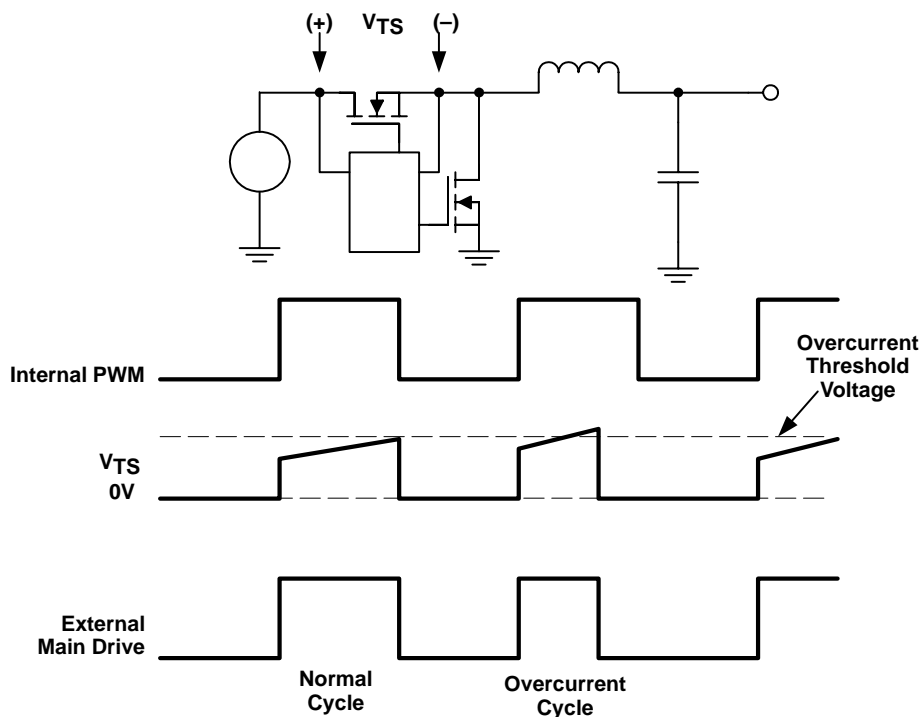
If the voltage exceeds a pre-set threshold, the current pulse is terminated, and a counter inside the device is incremented. If this counter fills up, a fault condition is declared and the device disables switching for a period of time and then attempts to restart the converter with a full soft-start cycle.

APPLICATION INFORMATION

detailed description

During each switching cycle, a comparator looks at the voltage across the top side MOSFET while it is on. This comparator is enabled after the SW node reaches a voltage greater than $(V_{DD}-1.2\text{ V})$ followed by a 100-ns blanking time. If the voltage across that MOSFET exceeds a programmable threshold voltage, the current-switching pulse is terminated and a 3-bit counter is incremented by one count. If, during the switching cycle, the topside MOSFET voltage does not exceed a preset threshold, then this counter is decremented by one count. (The counter does not wrap around from 7 to 0 or from 0 to 7). If the counter reaches a full count of 7, the device declares that a fault condition exists at the output of the converter. In this fault state, HDRV is turned off and LDRV is turned on and the soft-start capacitor is discharged. The counter is decremented by one by the soft start capacitor (C_{SS}) discharge. When the soft-start capacitor is fully discharged, the discharging circuit is turned off and the capacitor is allowed to charge up at the nominal charging rate. When the soft-start capacitor reaches about 700 mV, it is discharged again and the overcurrent counter is decremented by one count. The capacitor is charged and discharged, and the counter decremented until the count reaches zero (a total of six times). When this happens, the outputs are again enabled as the soft-start capacitor generates a reference ramp for the converter to follow while attempting to restart.

During this soft-start interval (whether or not the controller is attempting to do a fault recovery or starting for the first time), pulse-by-pulse current limiting is in effect, but overcurrent pulses are not counted to declare a fault until the soft-start cycle has been completed. Also, reverse current is not allowed during soft-start. It is possible to have a supply attempt to bring up a short circuit for the duration of the soft start period plus seven switching cycles. Power stage designs should take this into account if it makes a difference thermally. Figure 3 shows the details of the overcurrent operation.

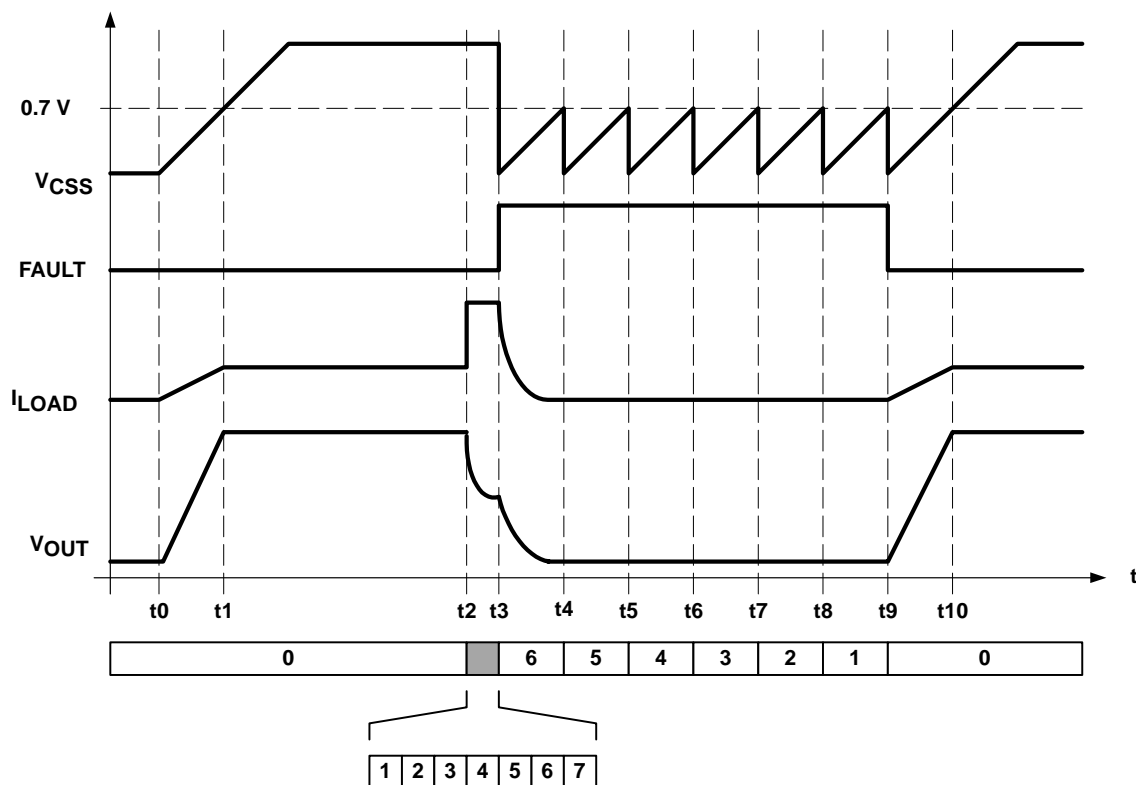


UDG-01145

Figure 3. Switch Node Waveforms for Synchronous Buck Converter

APPLICATION INFORMATION

Figure 4 shows the behavior of key signals during initial startup, during a fault and a successfully fault recovery. At time t_0 , power is applied to the converter. The voltage on the soft-start capacitor (V_{CSS}) begins to ramp up and acts as the reference until it passes the internal reference voltage at t_1 . At this point the soft-start period is over and the converter is regulating its output at the desired voltage level. From t_0 to t_1 , pulse-by-pulse current limiting is in effect, and from t_1 onward, overcurrent pulses are counted for purposes of determining a possible fault condition. At t_2 , a heavy overload is applied to the converter. This overload is in excess of the overcurrent threshold. The converter starts limiting current and the output voltage falls to some level depending on the overload applied. During the period from t_2 to t_3 , the counter is counting overcurrent pulses, and at time t_3 reaches a full count of 7. The soft-start capacitor is then discharged, the counter is decremented, and a fault condition is declared. At t_4 , the overload is removed. The counter continues to count down from 6 to 0. At t_9 , the counter reaches 0. The fault logic is then cleared, the outputs are enabled, and the converter attempts to restart with a full soft-start cycle. The converter comes into regulation at t_{10} .



UDG-01144

Figure 4. Switch Node Waveforms for Synchronous Buck Converter

When the soft start capacitor is fully discharged, it begins charging again at the same rate that it does on startup, with a nominal 3- μ A current source. As the capacitor voltage reaches full charge, it is discharged again and the counter is decremented by one count. These transitions occur at t_3 through t_9 . At t_9 , the counter has been decremented to 0. The fault logic is then cleared, the outputs are enabled, and the converter attempts to restart with a full soft-start cycle. The converter comes into regulation at t_{10} .

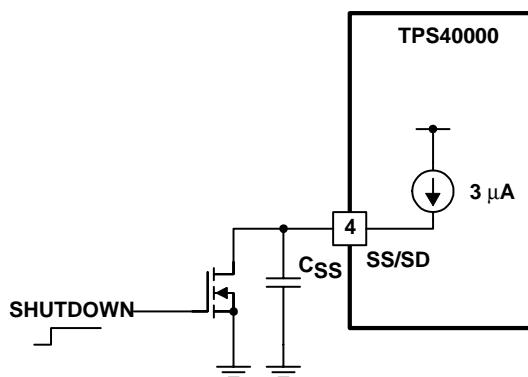
APPLICATION INFORMATION

setting the current limit

Connecting a resistor from VDD to ILIM sets the current limit. A 15- μ A current sink internal to the device causes a voltage drop at ILIM that is equal to the overcurrent threshold voltage. Ensure that $(V_{DD}-0.8\text{ V}) \leq V_{ILIM} \leq V_{DD}$. The tolerance of the current sink is too loose to do an accurate current limit. The main purpose is for hard fault protection of the power switches. Given the tolerance of the ILIM sink current, and the $R_{DS(on)}$ range for a MOSFET, it is generally possible to apply a load that thermally damages the converter. This device is intended for embedded converters where load characteristics are defined and can be controlled.

soft-start and shutdown

These two functions are common to the SS/SD pin. The voltage at this pin is the controlling voltage of the error amplifier during startup. This reduces the transient current required to charge the output capacitor at startup, and allows for a smooth startup with no overshoot of the output voltage if done properly. A shutdown feature can be implemented as shown in Figure 5.



UDG-01143

Figure 5. Shutdown Implementation

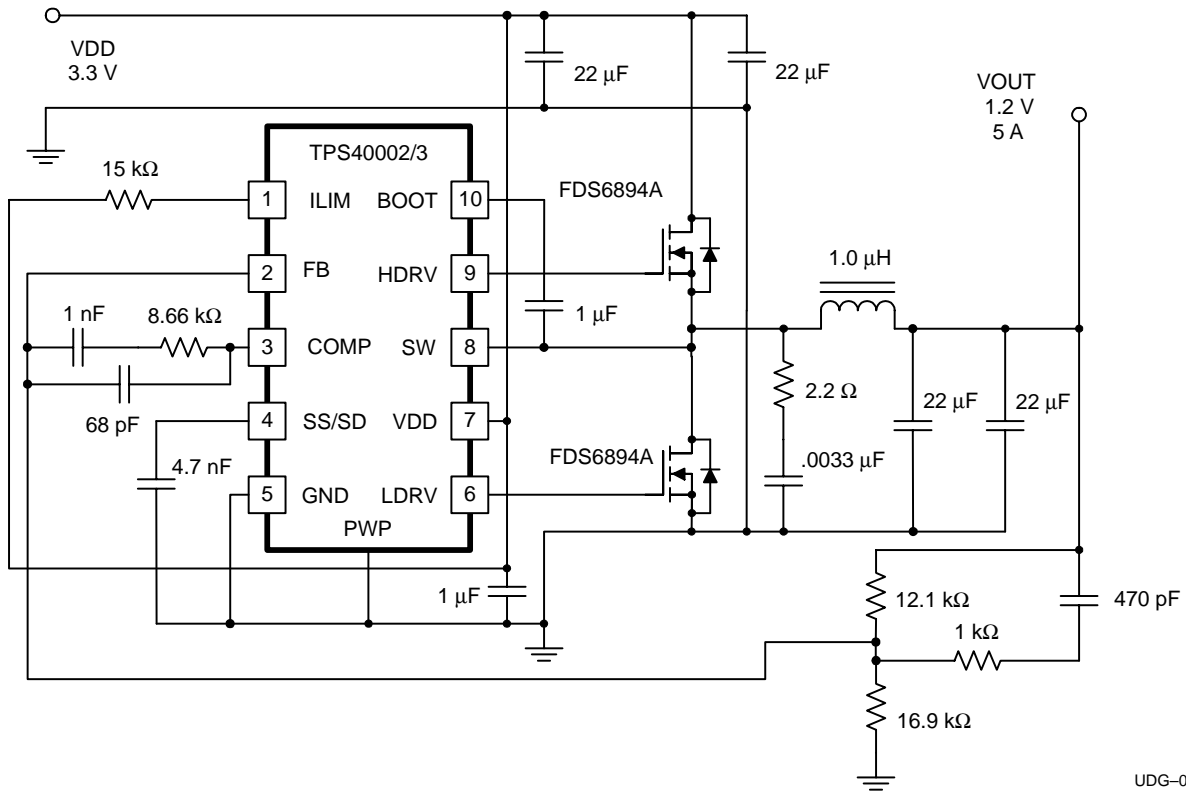
The device shuts down when the voltage at the SS/SD pin falls below 120 mV. Because of this limitation, it is recommended that a MOSFET be used as the controlling device, as in Figure 5. An open-drain CMOS logic output would work equally well.

rectifier zero-current

Both the TPS40000 and TPS40002 parts are source-only, thus preventing reverse current in the synchronous rectifier. Synchronous rectification is terminated by sensing the voltage, SW with respect to ground, across the low-side MOSFET. When SW node is greater than -7 mV , rectification is terminated and stays off until the next PWM cycle. In order to filter out undesired noise on the SW node, the zero-current comparator is blanked for 75 ns from the time the rectifier is turned on.

The TPS40001 and TPS40003 parts enable the zero-current comparator, and hence prevent reverse current, while soft-start is active. However, when the output reaches regulation; that is, at the end of the soft-start time, this comparator is disabled to allow the synchronous rectifier to sink current.

APPLICATION INFORMATION



UDG-02081

Figure 6. Small-Form Factor Converter for 3.3 V to 1.2 V at 5 A.

APPLICATION INFORMATION

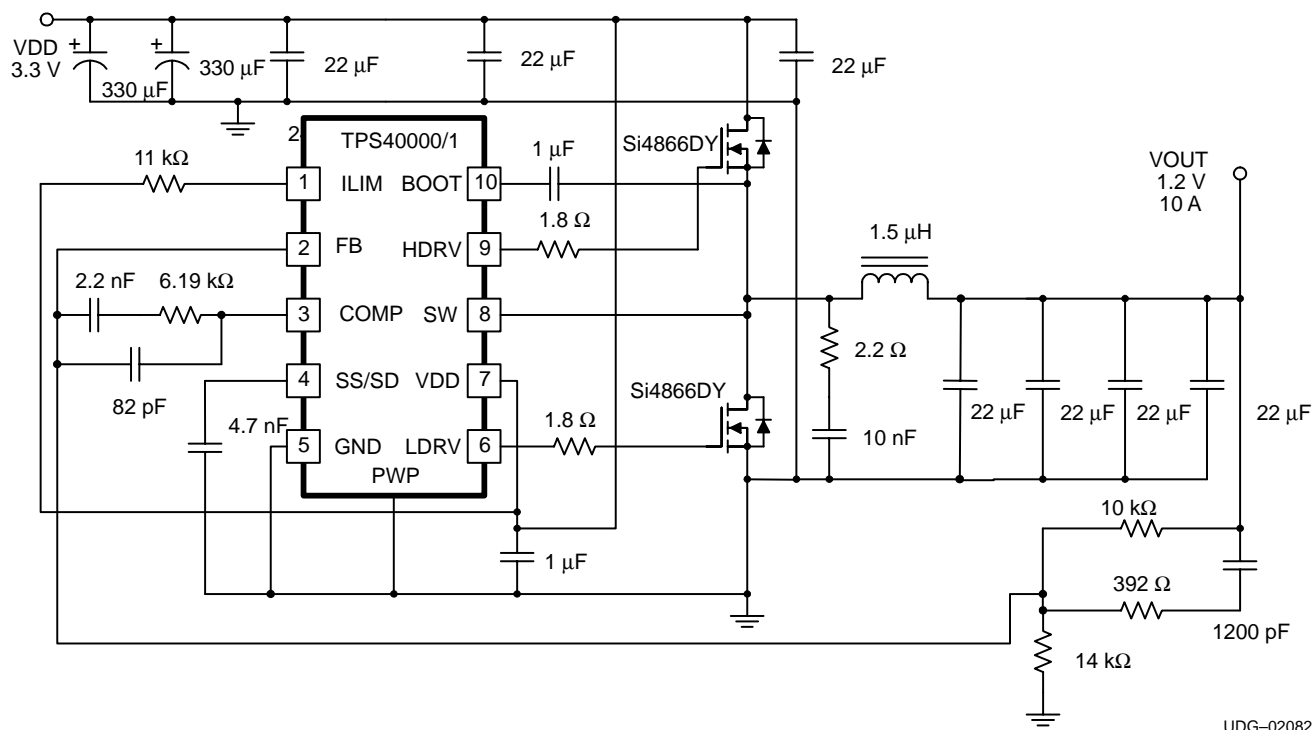
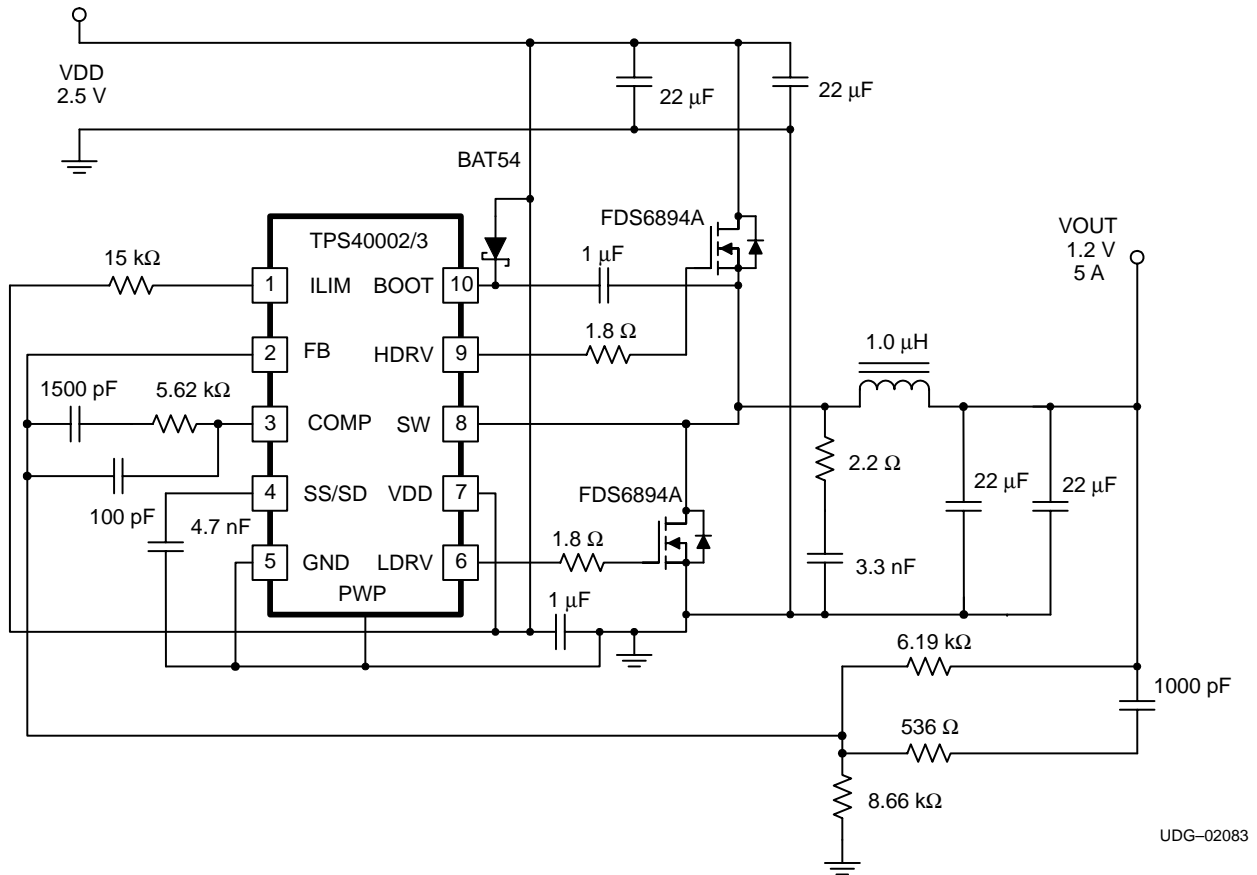


Figure 7. High-Current Converter for 3.3 V to 1.2 V at 10 A.

UDG-02082

APPLICATION INFORMATION



UDG-02083

Figure 8. Ultra-Low-Input Voltage Converter for 2.5 V to 1.2 V at 5 A

APPLICATION INFORMATION

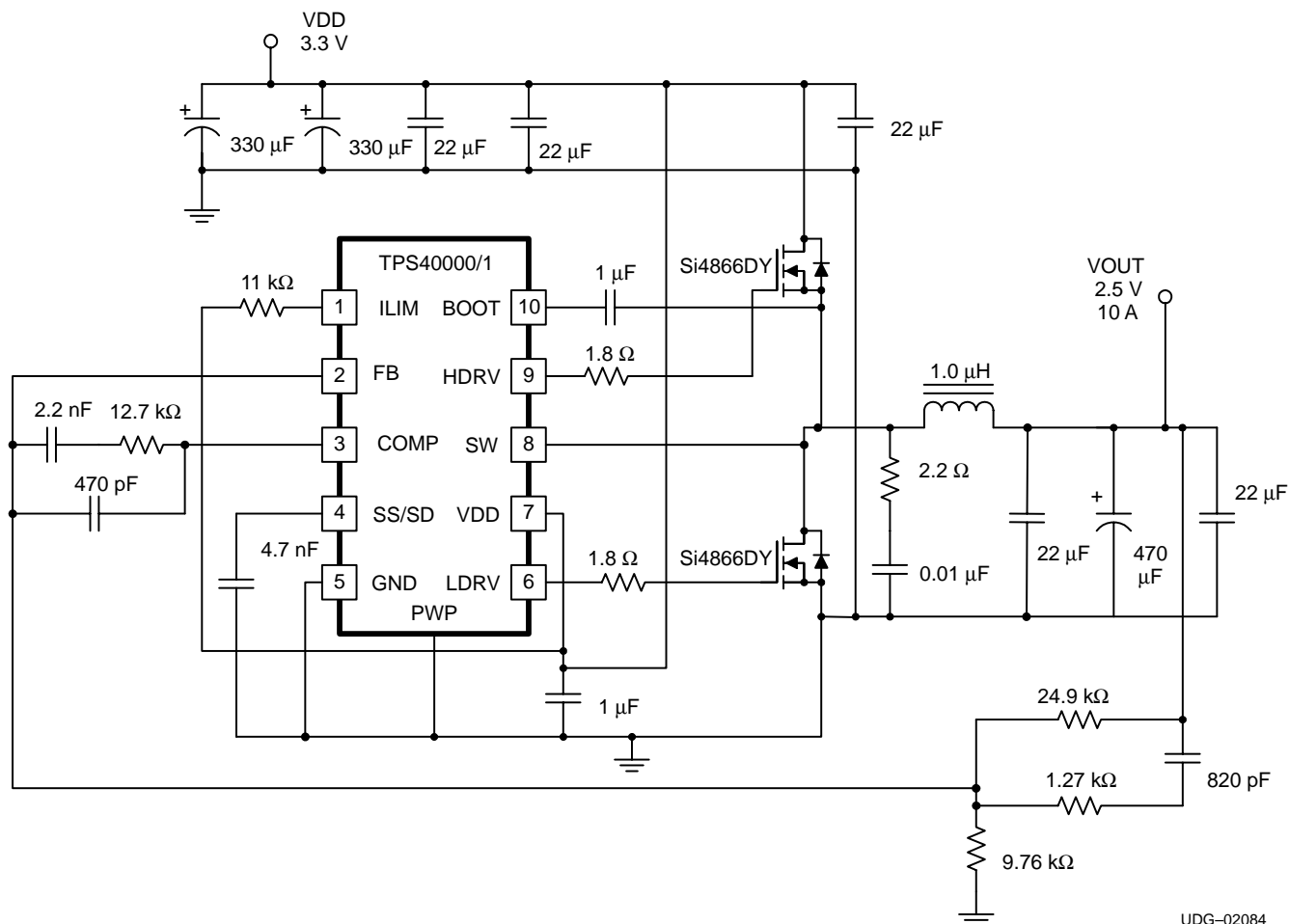


Figure 9. Ultra-High-Efficiency Converter for 3.3 V to 2.5 V at 10 A

UDG-02084

TYPICAL CHARACTERISTICS

**OSCILLATOR FREQUENCY PERCENT CHANGE
VS
INPUT VOLTAGE**

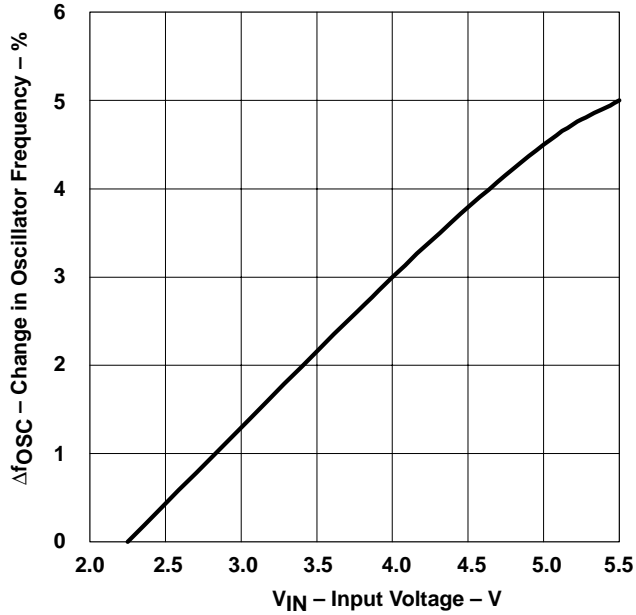


Figure 10

**OSCILLATOR FREQUENCY PERCENT CHANGE
VS
TEMPERATURE**

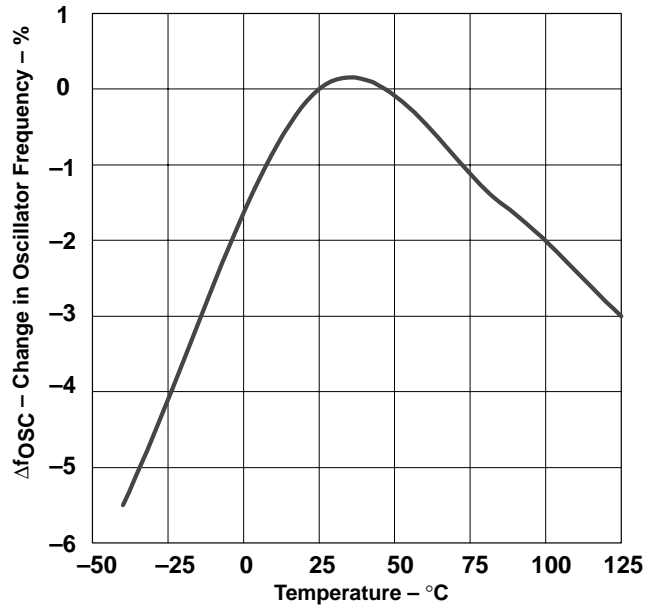


Figure 11

**FEEDBACK VOLTAGE
VS
INPUT VOLTAGE**

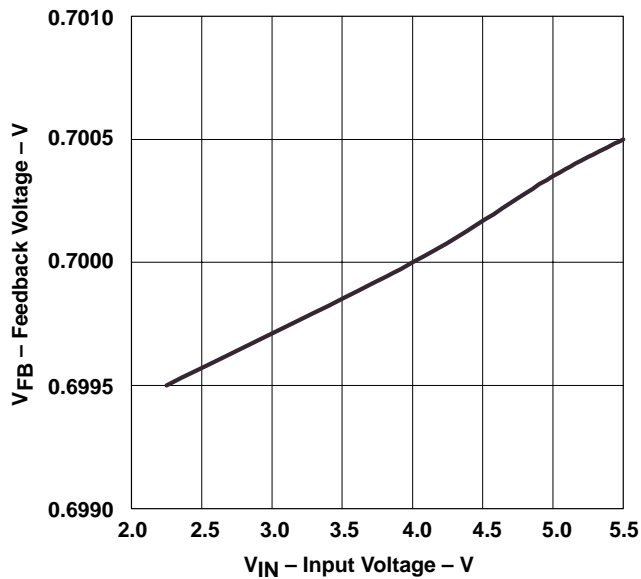


Figure 12

**FEEDBACK VOLTAGE
VS
TEMPERATURE**

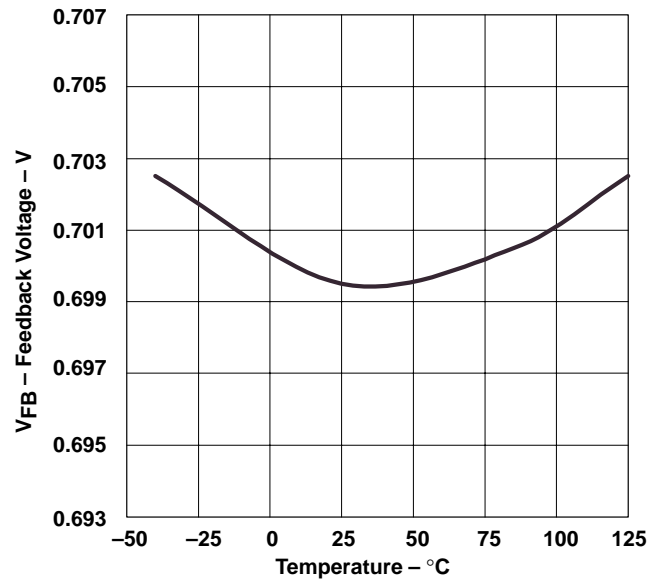
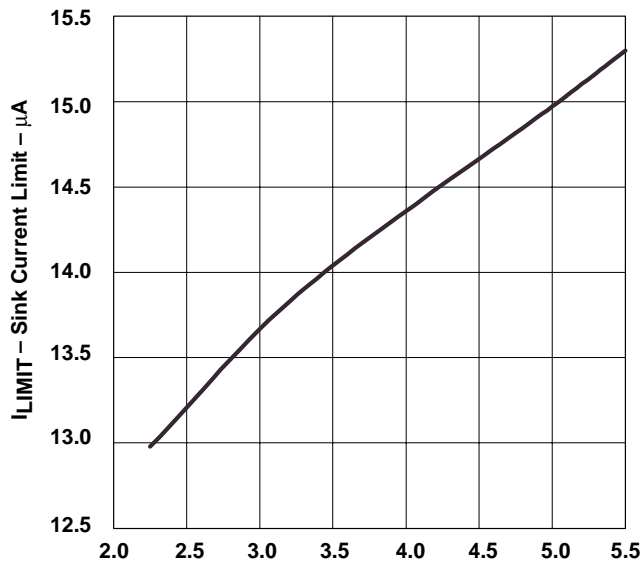


Figure 13

TYPICAL CHARACTERISTICS

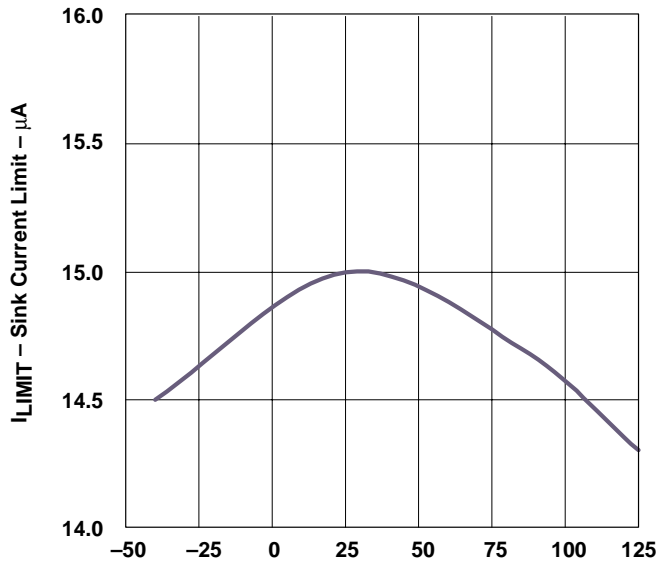
CURRENT LIMIT SINK CURRENT
vs
INPUT VOLTAGE



V_{IN} - Input Voltage - V

Figure 14

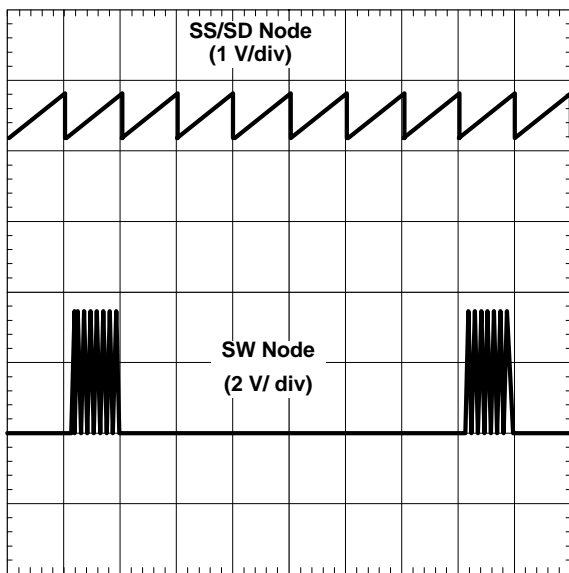
CURRENT LIMIT SINK CURRENT
vs
TEMPERATURE



Temperature - °C

Figure 15

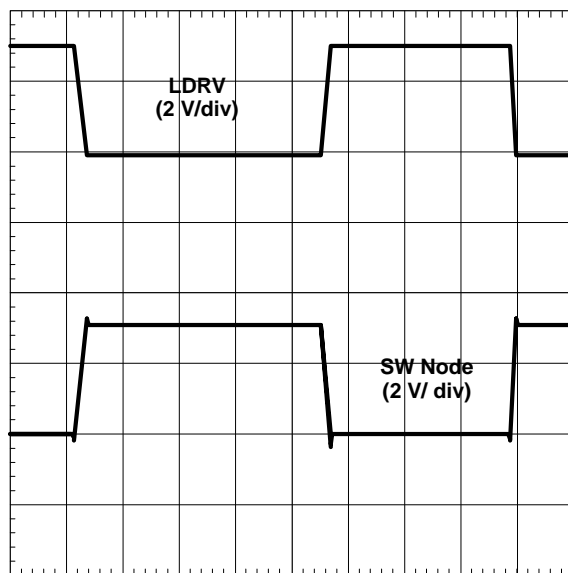
OVERCURRENT



t - Time - 1 ms/div

Figure 16

TYPICAL PREDICTIVE
DELAY SWITCHING



t - Time - 400 ns/div

Figure 17

IMPORTANT NOTICE

Texas Instruments Incorporated and its subsidiaries (TI) reserve the right to make corrections, modifications, enhancements, improvements, and other changes to its products and services at any time and to discontinue any product or service without notice. Customers should obtain the latest relevant information before placing orders and should verify that such information is current and complete. All products are sold subject to TI's terms and conditions of sale supplied at the time of order acknowledgment.

TI warrants performance of its hardware products to the specifications applicable at the time of sale in accordance with TI's standard warranty. Testing and other quality control techniques are used to the extent TI deems necessary to support this warranty. Except where mandated by government requirements, testing of all parameters of each product is not necessarily performed.

TI assumes no liability for applications assistance or customer product design. Customers are responsible for their products and applications using TI components. To minimize the risks associated with customer products and applications, customers should provide adequate design and operating safeguards.

TI does not warrant or represent that any license, either express or implied, is granted under any TI patent right, copyright, mask work right, or other TI intellectual property right relating to any combination, machine, or process in which TI products or services are used. Information published by TI regarding third-party products or services does not constitute a license from TI to use such products or services or a warranty or endorsement thereof. Use of such information may require a license from a third party under the patents or other intellectual property of the third party, or a license from TI under the patents or other intellectual property of TI.

Reproduction of information in TI data books or data sheets is permissible only if reproduction is without alteration and is accompanied by all associated warranties, conditions, limitations, and notices. Reproduction of this information with alteration is an unfair and deceptive business practice. TI is not responsible or liable for such altered documentation.

Resale of TI products or services with statements different from or beyond the parameters stated by TI for that product or service voids all express and any implied warranties for the associated TI product or service and is an unfair and deceptive business practice. TI is not responsible or liable for any such statements.

Mailing Address:

Texas Instruments
Post Office Box 655303
Dallas, Texas 75265