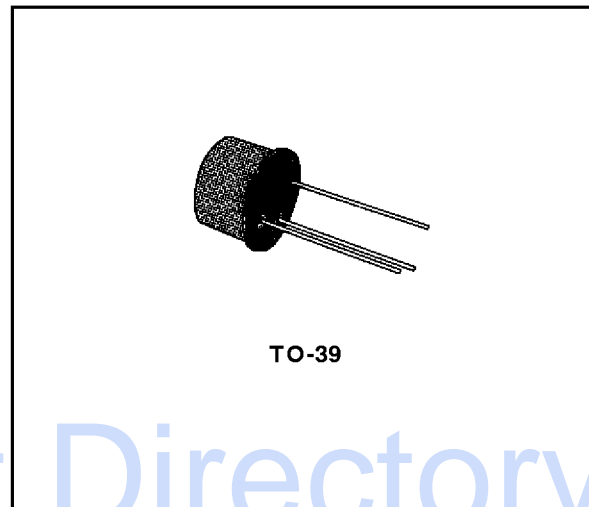


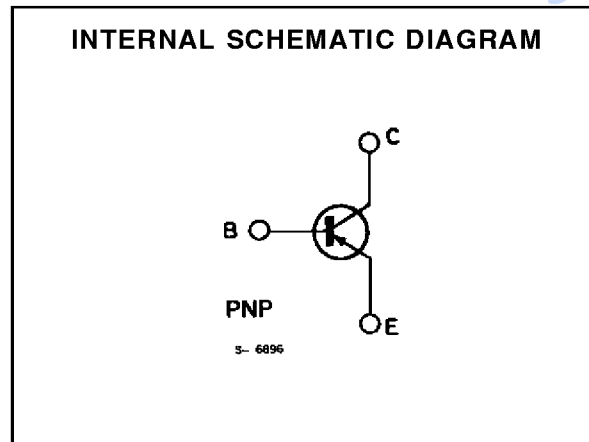
**GENERAL PURPOSE AMPLIFIERS AND SWITCHES**

**DESCRIPTION**

The 2N4030, 2N4031, 2N4032, and 2N4033 are silicon planar epitaxial PNP transistors in Jedec TO-39 metal case primarily intended for large signal, low noise industrial applications.



Datasheet Directory



**ABSOLUTE MAXIMUM RATINGS**

Symbol	Parameter	Value		Unit
		2N4030 2N4032	2N4031 2N4033	
$V_{CBO}$	Collector-base Voltage ( $I_E = 0$ )	- 60	- 80	V
$V_{CEO}$	Collector-emitter Voltage ( $I_B = 0$ )	- 60	- 80	V
$V_{EBO}$	Emitter-base Voltage ( $I_C = 0$ )	- 5		V
$I_C$	Collector Current	- 1		A
$P_{tot}$	Total Power Dissipation at $T_{amb} \leq 25\text{ }^\circ\text{C}$ at $T_{case} \leq 25\text{ }^\circ\text{C}$	0.8		W
		4		W
$T_{stg}, T_j$	Storage and Junction Temperature	- 65 to 200		$^\circ\text{C}$

## 2N4030-2N4031-2N4032-2N4033

### THERMAL DATA

$R_{th\ j-case}$	Thermal Resistance Junction-case	Max	44	$^{\circ}C/W$
$R_{th\ j-amb}$	Thermal Resistance Junction-ambient	Max	218	$^{\circ}C/W$

### ELECTRICAL CHARACTERISTICS ( $T_{amb} = 25^{\circ}C$ unless otherwise specified)

Symbol	Parameter	Test Conditions	Min.	Typ.	Max.	Unit
$I_{CBO}$	Collector Cutoff Current ( $I_E = 0$ )	For <b>2N4030</b> and <b>2N4032</b> $V_{CB} = -50\ V$ $V_{CB} = -50\ V$ $T_{amb} = 150^{\circ}C$ For <b>2N4031</b> and <b>2N4033</b> $V_{CB} = -60\ V$ $V_{CB} = -60\ V$ $T_{amb} = 150^{\circ}C$			- 50 - 50 - 50 - 50	nA $\mu A$ nA $\mu A$
$V_{(BR)CBO}$	Collector-base Breakdown Voltage ( $I_E = 0$ )	$I_C = -10\ \mu A$ For <b>2N4030</b> and <b>2N4032</b> For <b>2N4031</b> and <b>2N4033</b>	- 60 - 80			V V
$V_{(BR)CEO}^*$	Collector-emitter Breakdown Voltage ( $I_B = 0$ )	$I_C = -10\ mA$ For <b>2N4030</b> and <b>2N4032</b> For <b>2N4031</b> and <b>2N4033</b>	- 60 - 80			V V
$V_{(BR)EBO}$	Emitter-base Breakdown Voltage ( $I_C = 0$ )	$I_E = -10\ \mu A$	- 5			V
$V_{CE(sat)}^*$	Collector-emitter Saturation Voltage	$I_C = -150\ mA$ $I_B = -15\ mA$ $I_C = -500\ mA$ $I_B = -50\ mA$ $I_C = -1\ A$ $I_B = -100\ mA$ For <b>2N4030</b> and <b>2N4032</b>			- 0.15 - 0.5 - 1	V V V
$V_{BE(sat)}^*$	Base-emitter Saturation Voltage	$I_C = -150\ mA$ $I_B = -15\ mA$ $I_C = -500\ mA$ $I_B = -50\ mA$ $I_C = -1\ A$ $I_B = -100\ mA$ For <b>2N4030</b> and <b>2N4032</b>			- 0.9 - 1.1 - 1.2	V V V
$h_{FE}^*$	DC Current Gain	$I_C = -100\ \mu A$ $V_{CE} = -5\ V$ For <b>2N4030</b> and <b>2N4031</b> For <b>2N4032</b> and <b>2N4033</b> $I_C = -100\ mA$ $V_{CE} = -5\ V$ For <b>2N4030</b> and <b>2N4031</b> For <b>2N4032</b> and <b>2N4033</b> $I_C = -500\ mA$ $V_{CE} = -5\ V$ For <b>2N4030</b> and <b>2N4031</b> For <b>2N4032</b> and <b>2N4033</b> $I_C = -1\ A$ $V_{CE} = -5\ V$ For <b>2N4030</b> For <b>2N4031</b> For <b>2N4032</b> For <b>2N4033</b> $I_C = -100\ mA$ $V_{CE} = -5\ V$ $T_{amb} = -55^{\circ}C$ For <b>2N4030</b> and <b>2N4031</b> For <b>2N4032</b> and <b>2N4033</b>	30 75 40 100 25 70 15 10 40 25 15 40		120 300	

\* Pulsed : pulse duration = 300 ms, duty cycle = 1 %.

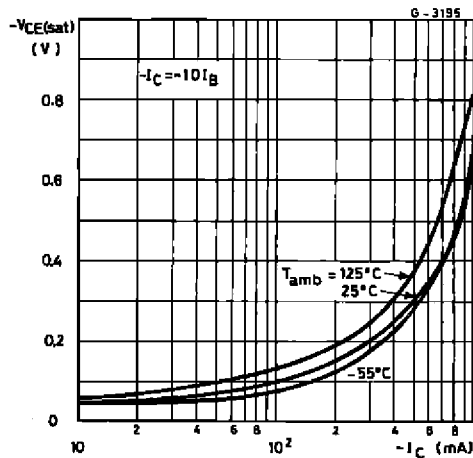
\*\* See test circuit.

ELECTRICAL CHARACTERISTICS (continued)

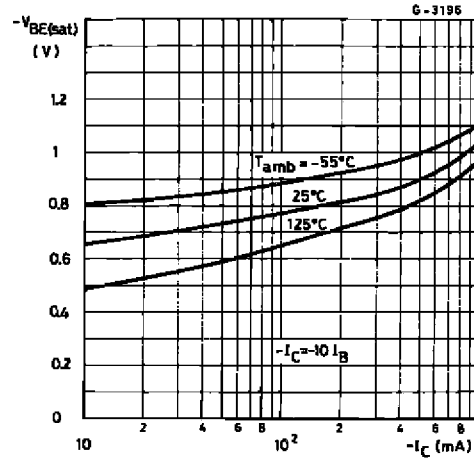
Symbol	Parameter	Test Conditions	Min.	Typ.	Max.	Unit
$f_T$	Transition Frequency	$I_C = -50 \text{ mA}$ $V_{CE} = -10 \text{ V}$ $f = 100 \text{ MHz}$ For <b>2N4030</b> and <b>2N4031</b> For <b>2N4032</b> and <b>2N4033</b>	100		400	MHz
$C_{EBO}$	Emitter-base Capacitance	$I_C = 0$ $V_{EB} = -0.5 \text{ V}$ $f = 1 \text{ MHz}$			110	.pF
$C_{CBO}$	Collector-base Capacitance	$I_E = 0$ $V_{CB} = -10 \text{ V}$ $f = 1 \text{ MHz}$			20	pF
$t_s^{**}$	Storage Time	$I_C = -500 \text{ mA}$ $V_{CC} = -30 \text{ V}$ $I_{B1} = -I_{B2} = -50 \text{ mA}$			350	ns
$t_f^{**}$	Fall Time	$I_C = -500 \text{ mA}$ $V_{CC} = -30 \text{ V}$ $I_{B1} = -I_{B2} = -50 \text{ mA}$			50	ns
$t_{on}^{**}$	Turn-on Time	$I_C = -500 \text{ mA}$ $V_{CC} = -30 \text{ V}$ $I_{B1} = -I_{B2} = -50 \text{ mA}$			100	ns

\* Pulsed : pulse duration = 300 ms, duty cycle = 1 %.  
\*\* See test circuit.

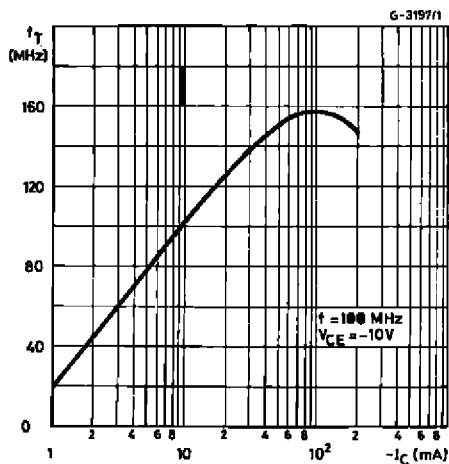
Collector-emitter Saturation Voltage.



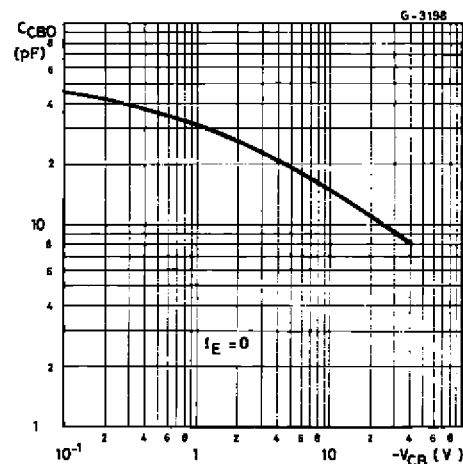
Base-emitter Saturation Voltage.



Transition Frequency.

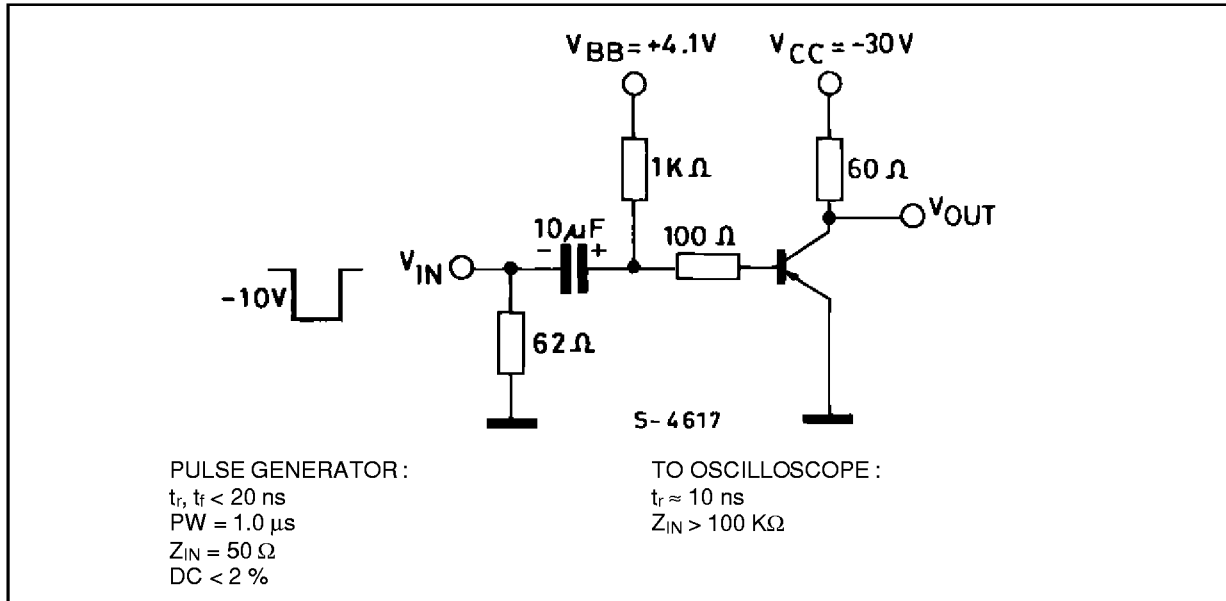


Collector-base Capacitance.



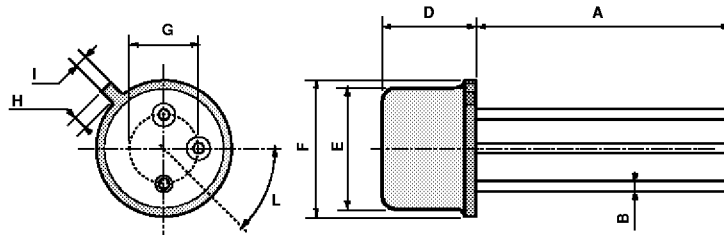
## 2N4030-2N4031-2N4032-2N4033

Test Circuit for  $t_{on}$ ,  $t_s$ ,  $t_f$ .



**TO39 MECHANICAL DATA**

DIM.	mm			inch		
	MIN.	TYP.	MAX.	MIN.	TYP.	MAX.
A	12.7			0.500		
B			0.49			0.019
D			6.6			0.260
E			8.5			0.334
F			9.4			0.370
G	5.08			0.200		
H			1.2			0.047
I			0.9			0.035
L	45° (typ.)					



P008B

Information furnished is believed to be accurate and reliable. However, SGS-THOMSON Microelectronics assumes no responsibility for the consequences of use of such information nor for any infringement of patents or other rights of third parties which may result from its use. No license is granted by implication or otherwise under any patent or patent rights of SGS-THOMSON Microelectronics. Specifications mentioned in this publication are subject to change without notice. This publication supersedes and replaces all information previously supplied. SGS-THOMSON Microelectronics products are not authorized for use as critical components in life support devices or systems without express written approval of SGS-THOMSON Microelectronics.

© 1994 SGS-THOMSON Microelectronics - All Rights Reserved

SGS-THOMSON Microelectronics GROUP OF COMPANIES  
Australia - Brazil - France - Germany - Hong Kong - Italy - Japan - Korea - Malaysia - Malta - Morocco - The Netherlands -  
Singapore - Spain - Sweden - Switzerland - Taiwan - Thailand - United Kingdom - U.S.A