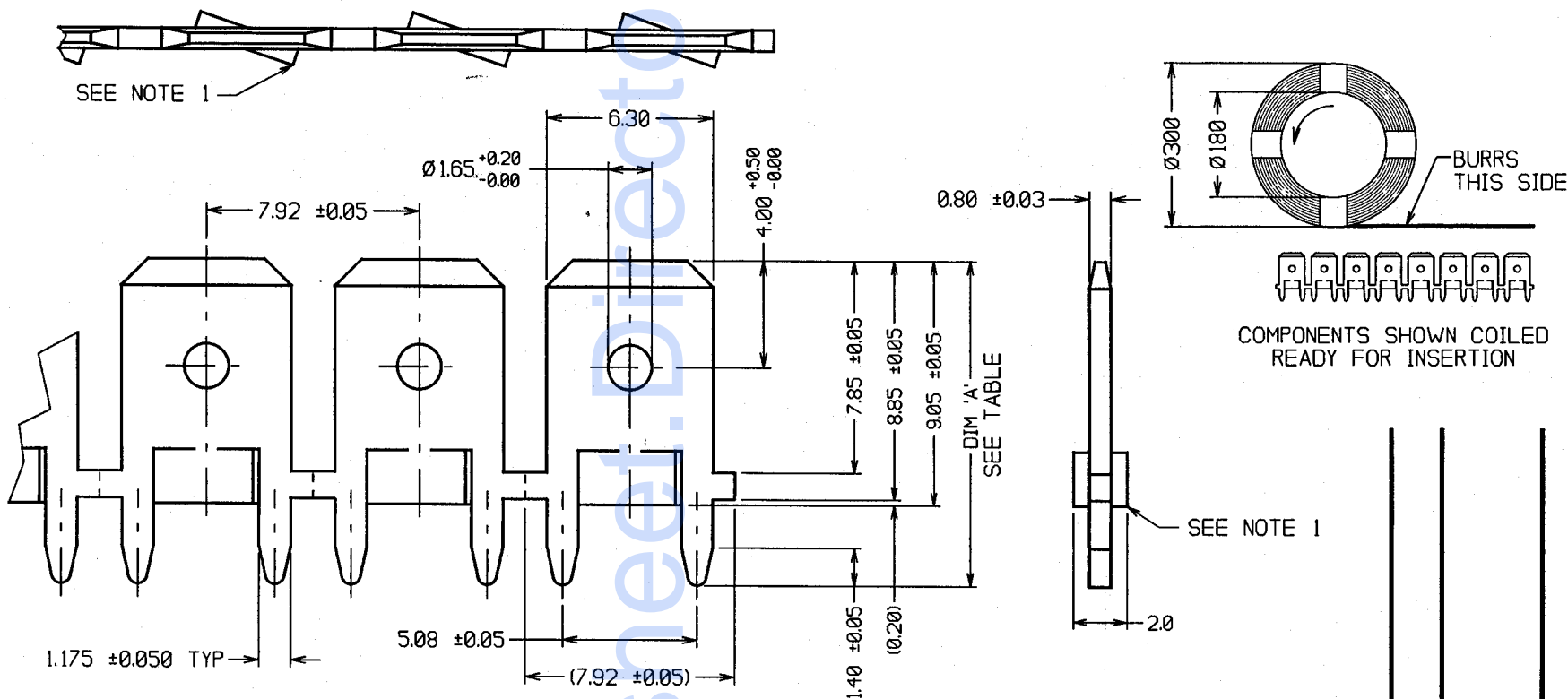


Customer Information Sheet

DRAWING No: S409-XXBX/S410-XXBX SHEET 2 OF 2 IF IN DOUBT - ASK © NOT TO SCALE THIRD ANGLE PROJECTION ALL DIMENSIONS IN mm



PART No. (COILED)	DIMENSION 'A'	MOUNTING HOLE SIZE	PCB THICKNESS
S409-XXBX	12.05	Ø1.25 ±0.06	1.60
S410-XXBX	12.85	Ø1.25 ±0.06	2.40

- NOTES:
- ANTI-ROCKING FEATURE.
 - QUANTITY OF TABS PER COIL = 4K
TOTAL WEIGHT PER COIL = 1.71kg.

ORDER CODE:
S4XX-XXBX

TYPE: 09 OR 10
SEE TABLE

FINISH

- 00 - UNPLATED
- 06 - TIN/LEAD

5	25.02.00	5195
ISS.	DATE	C/NOTE
APPROVED: <i>[Signature]</i>		
CHECKED: <i>[Signature]</i>		
DRAWN: M. PLESTED		
CUSTOMER REF.:		
ASSEMBLY DRG:		

HARWIN

HARWIN INC U.S.A. TEL: (812) 285 0055 FAX: (812) 285 0056	HARWIN PLC U.K. TEL: 023 9237 0451 FAX: 023 9231 4590	HARWIN PTE SINGAPORE TEL: 65 7794909 FAX: 65 7793868
--	--	---

THIS DRAWING AND ANY INFORMATION OR DESCRIPTIVE MATTER SET OUT HEREON ARE CONFIDENTIAL AND COPYRIGHT PROPERTY OF THE HARWIN GROUP AND MUST NOT BE DISCLOSED, LOANED, COPIED OR USED FOR MANUFACTURING, TENDERING OR FOR ANY OTHER PURPOSE WITHOUT THEIR WRITTEN PERMISSION.

TOLERANCES

- X. - ±1mm
- X.X - ±0.25mm
- X.XX - ±0.10mm
- X.XXX - ±0.01mm

ANGLES = ±1°
UNLESS STATED

MATERIAL:
BRASS CZ108 HARD

FINISH: SEE ABOVE

S/AREA: mm²

TITLE:
6.3mm BLADE VERTICAL
COILED TAB TERMINAL

DRAWING NUMBER:
S409-XXBX/S410-XXBX