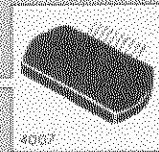


STK 084G, 086G

thick film hybrid IC

50, 70W min AF POWER AMP.



Features

- © IMST, 1 Channel by 2 Power Supply.
- AF Output Power STK 084G: 50 W min.
STK 086G: 70 W min.
- Low distortion.
- Able to add a peripheral protector.

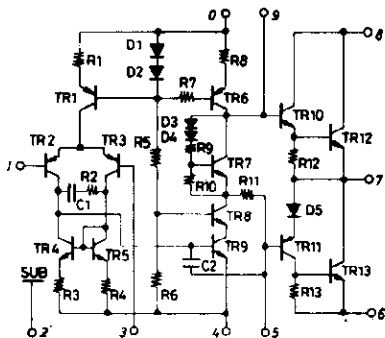
MAXIMUM RATING/ $T_a=25^\circ\text{C}$		STK 084G	STK 086G	unit
Maximum Supply Voltage	V_{CC} max	± 50	± 55	V
Collector Current	I_C max	—	7	A
Thermal Coefficient	$\theta_{j-c}(T_C=25^\circ\text{C})$	—	1.4	$^\circ\text{C/W}$
Operating Case Temperature	T_C	\rightarrow	90	$^\circ\text{C}$
Storage Temperature	T_{stg}	\rightarrow	-30 to +105	$^\circ\text{C}$
Allowable Load Shorting Time (in appointed condition)	t_s	2	—	sec

RECOMMENDED OPERATION CONDITIONS / $T_a=25^\circ\text{C}$		STK 084G	STK 086G	unit
Recommended Supply Voltage	V_{CC}	± 35	± 42	V
Load Resistance	R_L	\rightarrow	8	ohm

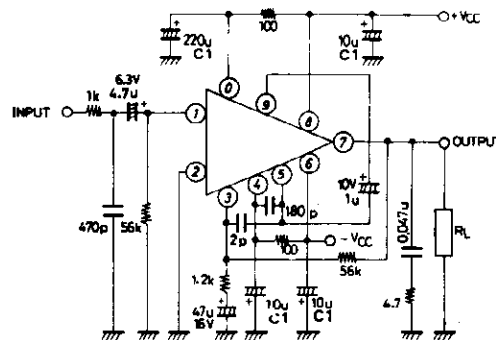
OPERATION CHARACTERISTICS/ $T_a=25^\circ\text{C}$, recommended V_{CC} supplied, $R_L=8$ ohm, $R_g=600$ ohm, $V_G=33.4$ dB

		STK 084G	STK 086G	unit
Quiescent Current	I_{CCO}	\rightarrow	100	mAmax
Output Power	P_o	50	70	W min
Distortion	THD	\rightarrow	0.05	% max
Frequency Response	f	\rightarrow	10 to 100k	Hz
Input Resistance	r_i	\rightarrow	52k	ohm

EQUIVALENT CIRCUIT



APPLICATION: AF Power Amp.



	C1
STK 084G	50V
STK 086G	63V

See the operation characteristics on this specification.

