

## Technical Data:

### Material:

- HOUSING: PBT (Glass filled) UL 94 V-0.
- Metal Housing: Brass (Cu Zn) Cu, Tin plated.
- Screw: Steel galvanized and chromated.
- Wire guard: Stainless steel Tin plated.

### Electrical:

- Current rating: 10 Amps/way max.
- Contact resistance: 20m  $\Omega$  (Max).
- Insulation resistance: 5000M  $\Omega$  /1000V.
- Withstanding Voltage: 1500VAC (1min). test time=60sec/1pcs
- Operation Voltage: 300 VAC.
- Wire Stripping length:
- Wire Range: 14-22 AWG.
- Wire type: both sol and Str.

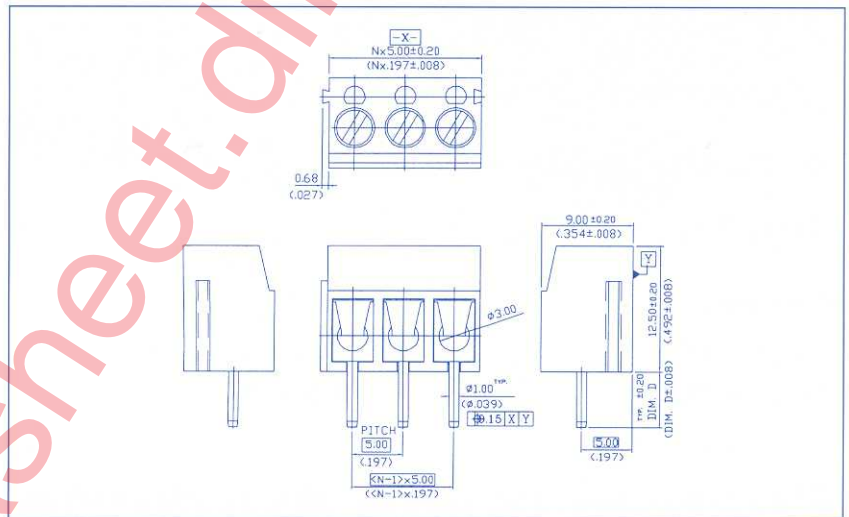
### Mechanical:

- Screw Torque: 4 Kg. cm (Max).
- Operating temperature: -55°C to +105°C
- Solderability: 95 % coverage (min). test temperature= 230°C  $\pm$  10°C. test time= 3sec  $\pm$  5sec.

## Application and

### Features:

- This is the most standard version which is an economic and reliable solution for Cable to PC-Board Connection.
- Standard sizes are 2 and 3 way-blocks, but every number of contact can be combined, by simply plugging them together and can be ordered as required.
- Holes for test-pins.
- With wire guard for wire protection (for that the screw doesn't press directly on the wire)



Notes: Please replace 'X' with appropriate coding listed in the tables below

3 0 0 - X X X - X X 0 0 - 0 0 X 0

### Number of contact

02-24 po	02
	03
	etc.

### Pitch

5.00mm/.197"	0
10.00mm/.394"	1
15.00mm/.591"	2

### Wire Guard

With	0
Without	1

### Color

Black	0
Green	5
Blue	6

### Screw Type

" - "	0
" + "	1