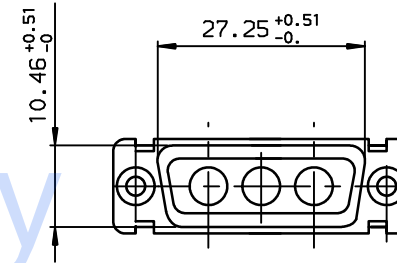
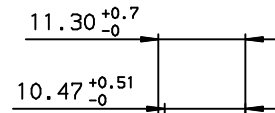
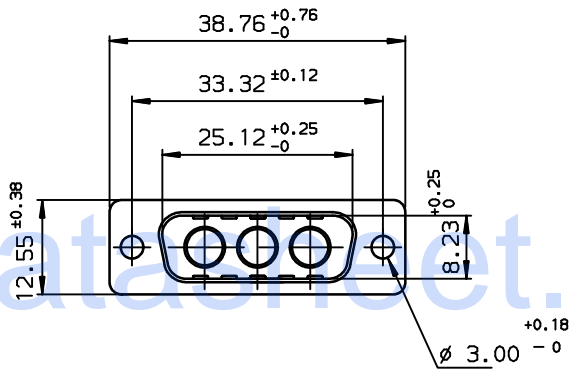
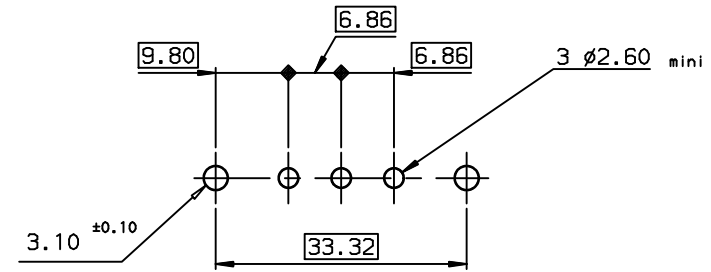
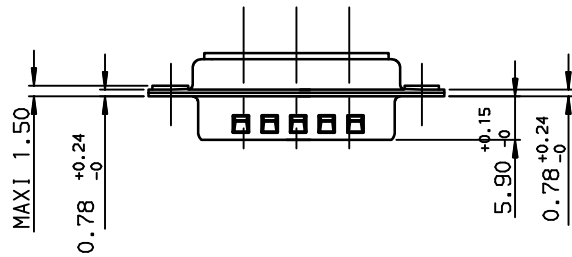


TIN LEAD Part Number : DA3W3PA00
 LEAD FREE Part Number : DA3W3PA00LF



PC card drilling dimensions (thickness:1.60)



Copyright FCI.

GENERAL CHARACTERISTICS AND ROHS INFORMATIONS:
 SEE DRAWING C01-8639-0003

European Views

rev	ecn no	dr	date
A	-	CJA	1995/09/15
B	LS05-003	MPE	2005/03/28
D	LS06-0095	LGO	2006/07/19
-	-	-	-
-	-	-	-
-	-	-	-

www.fciconnect.com		surface ISO 1302 ✓	tolerance std ISO 406 ISO 1101	projection mm
TOLERANCES UNLESS OTHERWISE SPECIFIED				
Dr	JARRY	1995/09/15	ANGULAR	LINEAR
Eng	PESSON	1995/09/15	0.x	±0.1
Chr	LEGARE	1995/09/15	0.xx	±0.1
Appr	LEGARE	1995/09/15	0.xxx	±0.1
Product family			D-SUB	Spec ref -
title PIN connector for POWERS CONTACTS		catlog no -		Rev. D
size A3		Scale 1.5		ECN LS06-0095
www.fciconnect.com		C01-8639-0458		CUSTOMER sheet 1 of 1

REV F - 2006-04-17