

PRODUCT NUMBER

77311-YXX-XXLF

PLATING SEE SHEET 2
 PIN STYLE SEE SHEET 2
 RoHS COMPATIBLE SEE NOTE 6
 TOTAL NB OF POSITIONS 01 TO 36
 OPTION LETTER SEE NOTE 7

PRODUCT NUMBER (BERGSTRIK PACKAGING)

77311-YXX-OOLF

PLATING
 1= 0.76µm GOLD/GXT ON CONTACT AREA, 2µm TIN MIN ON TAILS
 8= 0.38µm GOLD/GXT ON CONTACT AREA, 2µm TIN MIN ON TAILS
 4= 2.0µm TIN MIN FULL PLATED
 1.27µm NICKEL MIN UNDERLAYER FOR ALL PLATING VERSIONS

INDICATES THE PRODUCT IS RoHS COMPATIBLE, SEE NOTE 6
 POSITIONS PER REEL : 00=36,000 (BERGSTRIK)

PIN STYLE	MATING	SOLDER	OAL
01	5.84	2.41	10.8
02	5.84	3.42	11.8
18	5.84	3.05	11.43
22	7.75	3.05	13.35
24	6.75	2.9	12.2
27	6.6	2.66	11.8

NOTES:

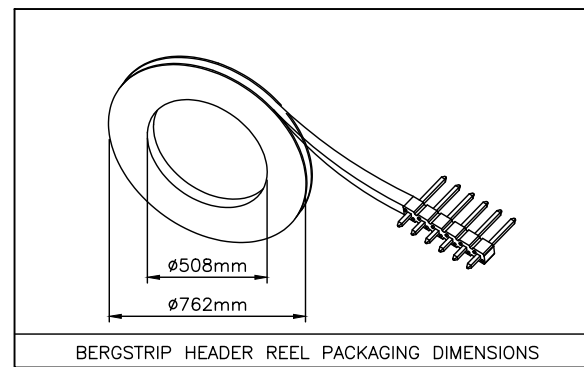
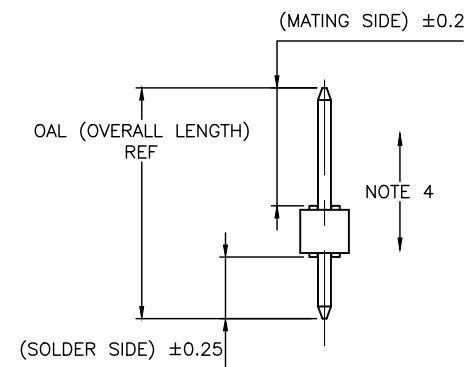
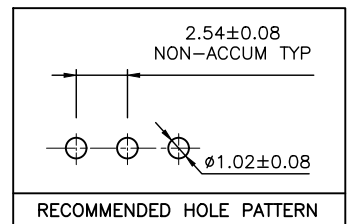
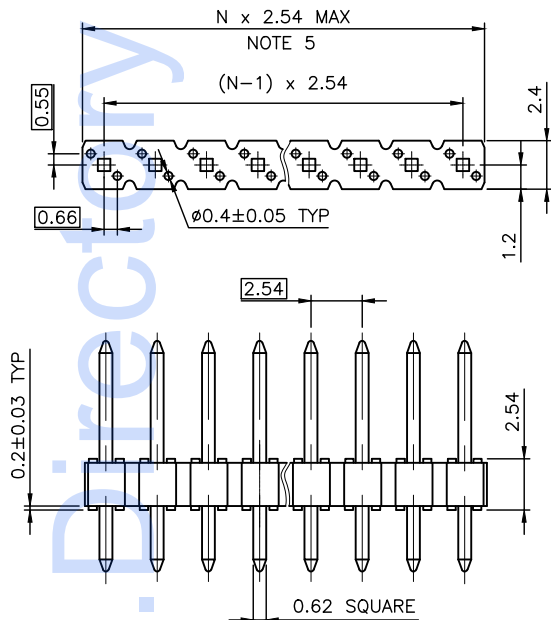
- HOUSING MAT'L : HIGH TEMPERATURE THERMOPLASTIC. UL94V-0 COLOR: BLACK
- PIN MATERIAL : PHOSPHOR BRONZE
- BERGSTIK PRODUCT PACKAGED IN POLYBAGS. BERGSTRIK PRODUCT PACKAGED PER REELS.
- 9N MIN RETENTION IN EITHER DIRECTION
- TO DETERMINE DIMENSIONS :
 N = NUMBER OF POSITIONS PER ROW
 EXAMPLE : 8 POS N x 2.54 = 20.32mm

6. RoHS COMPATIBLE PRODUCT SPECIFICATIONS

- a - PLATING:
 - "LF" MEANS THE PRODUCT IS LEAD-FREE, 2µm MINIMUM MATTE TIN OVER 1.27µm MINIMUM NICKEL UNDERPLATE.
- b - MANUFACTURING PROCESS COMPATIBILITY
 - THE HOUSING WILL WITHSTAND EXPOSURE TO 260°C ±5°C SOLDER BATH TEMPERATURE FOR 5 SECONDS IN A WAVE SOLDER APPLICATION WITH A 1.6mm MIN THICK CIRCUIT BOARD.
 - REFLOW COMPATIBLE
- c - LABELING:
 - MEETS PACKAGING SPECS AS PER GS-14-920
- d - LEGAL STATEMENT: SEE GS-47-0004

7. OPTIONS : - = POLYBAG PACKAGING

- T = TUBE PACKAGING WITHOUT PICK UP CAP
- K = TAPE & REEL PACKAGING, WITHOUT PICK UP CAP ONLY FOR P/N 77311-462K04(LF) AND 77311-462K05(LF)
- KC = TAPE & REEL PACKAGING WITHOUT PICK UP CAP AND WITH HIGH RETENTION FEATURES
- KV = TAPE & REEL PACKAGING WITHOUT PICK UP CAP FOR CUSTOMER DEDICATED PART ONLY FOR P/N 77311-462KV04LF
- C = HIGH RETENTION FEATURES, SEE SHEET 2
- R = RETENTION FEATURES, SEE SHEET 2
 IF RETENTION FEATURE "R" AND TUBE PACKAGING "T" ARE BOTH REQUIRED
 OPTIONAL LETTER "R" WILL APPEAR INSTEAD OF THE FIRST DASH
 EXAMPLE : 77311R424T03LF
- V = BLIBOX PACKAGING FOR CUSTOMER DEDICATED PART. ONLY FOR 77311-4BNV01LF



mat'l. code		surface		tolerance		projection		product family	
SEE NOTES		ISO 1302		ISO 406 ISO 1101		mm		BERGSTIK	
ltr	ecn no	dr	date	tolerances unless otherwise specified		mm		title	
CN	F-26241	LMU	17.03.01	angles	linear	scale 5:1		UNSHR.HEADER STR SR TMT	
CP	F-28243	DDE	17.09.21					dwg no	
CR	F-28445	DDE	17.11.10					sheet 1 of 3 size	
CS	F-29484	DDE	18.03.08	dr	D.LE	01.01.24		77311 A3	
CT	F-31328	LMU	18.09.20	engr	JM.C	01.01.24		type	
CM	F-25890	LMU	17.01.11	chr	JM.C	01.01.24		CUSTOMER Drawing	
sheet index	revision	CT	BX	J					
	sheet	1	2	3					

Amphenol FCI FCconnect.com

Copyright FCI

PLATING

- 1 = 0.76µm GOLD/GXT ON CONTACT AREA, 2µm TIN MIN ON TAIL
- 4 = 2µm TIN MIN FULL PLATED
- 5 = 0.25µm GOLD/GXT ON CONTACT AREA, 2µm TIN MIN ON TAIL
- 8 = 0.38µm GOLD/GXT ON CONTACT AREA, 2µm TIN MIN ON TAIL
- G = 0.76µm FULL GXT
- S = 0.38µm FULL GXT
- T = 2µm TIN MIN FULL PLATED INCLUDED PIN TYP
 - 1.27µm NICKEL MIN UNDERLAYER FOR ALL PLATING VERSIONS

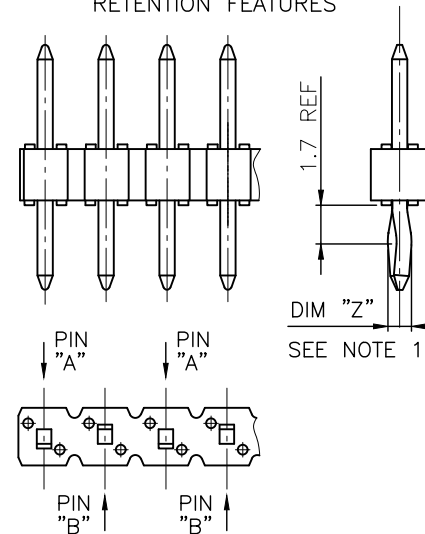
RETENTION FEATURES :

- 1 - PART NUMBER 77311-XXXXRXXLF: DIM "Z"=(0.99)
PART NUMBER 77311-XXXXCXXLF: DIM "Z"= 1.05MIN -1.15MAX
- 2 - PINS "A" AND "B" USED FOR RETENTION.
- 3 - DIRECTION OF RETENTION SHOWN BY ARROWS.
- 4 - ON 4 TO 36 POSITIONS HEADER; RETENTION IS IN MID POSITION OF HEADER (4 CENTRAL PINS)
- 5 - FOR RETENTION OPTION , SOLDER TAIL LENGTH TO BE 2.9 MIN UP TO 3.5 MAX.
- 6 - HOUSING MATERIAL FOR P/N 77311-4AJC03LF & 77311-TAJC03LF HIGH TEMPERATURE THERMOPLASTIC UL94V-0 COLOR : NATURAL

PLATING SPECIFICATIONS :

- 7 - ONLY FOR PLATING 1XX, 8.0MM GOLD / GXT PLATING AREA FROM PIN TYPE ON MATING SIDE

RETENTION FEATURES



Amphenol FCI FCIconnect.com

Copyright FCI

mat'l. code		surface		tolerance		projection		product family	
		ISO 1302		ISO 406 ISO 1101				BERGSTIK	
ltr	ecn no	dr	date	tolerances unless otherwise specified		mm		title	
BU	B-20596	AMA	15.03.30					UNSHR.HEADER	
BV	F-22085	LMU	15.10.05	angles	linear	scale N/A		STR SR TMT	
BW	F-22100	AMA	15.10.08					dwg no	
BX	F-26241	LMU	17.03.01	dr	D.LE	01.01.24	sheet 2 of 3		size
BS	B-20169	BVE	15.02.12	engr	JM.C	01.01.24	77311		A3
BT	B-20497	BVE	15.03.18	appd	JF.N	01.01.24	CUSTOMER		Drawing
sheet index	revision sheet								

PRODUCTS SPECIFICATIONS

PIN STYLE	MATING	SOLDER	OAL
01	5.84	2.41	10.8
02	5.84	3.42	11.8
03	5.72	5.09	13.35
05	5.72	10.14	18.4
08	5.72	17.78	26.04
15	8.51	2.55	13.6
18	5.84	3.05	11.43
19	12.83	3.03	18.4
20	15.37	3.04	20.95
22	7.75	3.05	13.35
24	6.75	2.9	12.2
25	8.51	3.18	14.22
27	6.6	2.65	11.8
26	15.57	2.84	20.95
29	17.5	3.46	23.5
32	10.3	3.05	15.9
38	5.84	3.82	12.2
39	11.2	3.05	16.8
46	8.08	2.98	13.6
54	8.08	3.81	14.43
58	14.47	3.05	20.06
62	13.5	3.05	19.09
70	6.54	3.50	12.57
83	20.46	3.00	26.00
85	5.72	8.51	16.76
87	6.98	3.05	12.57
91	5.6	10.21	18.35
92	5.65	12.76	20.95
93	6.00	4.81	13.35
94	15.60	3.20	21.25
95	10.00	8.45	20.95
96	10.95	3.05	16.55
97	9.00	3.55	15.09
98	3.00	1.35	6.84
99	24.00	3.05	29.50
AA	5.72	15.24	23.50
AB	N/A		

NOTE 7

PRODUCTS SPECIFICATIONS

PIN STYLE	MATING	SOLDER	OAL
AC	7.21	3.05	12.80
AD	17.53	3.43	23.50
AE	4.99	2.80	10.33
AF	5.72	3.05	11.30
AG	5.84	4.95	13.33
AH	14.31	3.20	20.05
AJ	8.90	3.40	14.85
AK	25.06	3.00	30.80
AL	3.30	3.30	9.14
AM	9.26	3.05	14.85
AN	7.60	4.40	14.47
AP	7.80	3.30	13.60
AR	18.86	2.41	23.81
AS	11.91	1.45	15.90
AT	4.60	4.60	11.61
AU	12.10	3.10	17.70
AV	6.30	6.30	15.10
AW	9.16	1.80	13.50
AX	5.08	2.43	10.05
AY	7.49	3.47	13.50
BA	8.08	2.75	13.37
BB	10.80	2.15	15.50
BC	8.08	3.81	14.43
BD	10.10	2.16	14.80
BE	13.65	2.41	18.60
BF	2.54	5.32	10.40
BG	4.98	1.85	9.23
BH	4.69	2.41	9.50
BJ	7.21	6.15	15.90
BK	6.86	2.65	12.05
BL	17.70	3.25	23.50
BM	10.96	3.70	16.20
BN	19.46	3.00	25.00
BP	8.80	3.20	14.50
BR	19.46	4.00	26.00
BS	5.72	11.05	19.30

NOTE 6

Amphenol FCI FCconnect.com

Copyright FCI

mat'l. code		surface ISO 1302 <input checked="" type="checkbox"/> ISO 406 ISO 1101		tolerance tolerances unless otherwise specified		projection 		product family BERGSTIK	
ltr	ecn no	dr	date	angles	linear	mm		title UNSHR.HEADER STR SR TMT	
H	F-29484	DDE	18.03.08			scale N/A		dwg no 77311	
J	F-31328	LMU	18.09.20					sheet 3 of 3 size A3	
D	F-25890	LMU	17.01.11	dr	A.MA	15.10.08		type CUSTOMER Drawing	
E	F-26241	LMU	17.03.01	enr	L.MU	15.10.08			
F	F-28243	DDE	17.09.21	chr	J.CO	15.10.08			
G	F-28445	DDE	17.11.10	appd	ASO	15.10.08			
sheet index	revision sheet								

Amphenol FCI