

General Transistor Corporation
 216 WEST FLORENCE AVENUE
 INGLEWOOD, CALIFORNIA 90301
 (213) 673-8422 • Telex 65-3474 • FAX (213) 672-2905

SMALL SIGNAL TRANSISTORS

NPN General Purpose

| Type No. | Ptot (mW) | VCEO VCER* (V) | hFE@Ic | | VCE(SAT) | | fr (MHz) | ts toff @IC/IB (µs) | PACKAGE |
|----------|--------------|----------------------|---------|------|------------|--------|-------------|---------------------------|---------|
| | | | MIN/MAX | (mA) | (V) MAX | (mA) | | | |
| 2N718A | 500 | 50* | 40/120 | 150 | 1.5 | 150/15 | 60 | TO-18 | |
| 2N720A | 500 | 80 | 40/- | 150 | 5 | 150/15 | 50 | | |
| 2N915 | 500 | 50 | 50/200 | 10 | 1 | 10/1 | 300 | | |
| 2N918 | 500 | 40 | 50/200 | 10 | 0.5 | 10/1 | 300 | | |
| 2N958 | 500 | 50* | 100/300 | 150 | 1.5 | 150/15 | 70 | | |
| 2N2221 | 500 | 30 | 40/120 | 150 | 1.6 | 500/50 | 250 | | |
| 2N2221A | 500 | 40 | 40/120 | 150 | 1 | 500/50 | 250 | | |
| 2N2222 | 500 | 30 | 100/300 | 150 | 1.6 | 500/50 | 250 | | |
| 2N2222A | 500 | 40 | 100/300 | 150 | 1 | 500/50 | 250 | | |
| 2N3700 | 500 | 80 | 100/300 | 150 | 0.5 | 150/15 | 100 TYP | | |
| 2N1613 | 800 | 50* | 40/120 | 150 | 1.5 | 150/15 | 60 | | TO-39 |
| 2N1711 | 800 | 50* | 100/300 | 150 | 1.5 | 150/15 | 70 | | |
| 2N1893 | 800 | 80 | 40/120 | 150 | 5 | 150/15 | 50 | | |
| 2N2102 | 1000 | 65 | 40/120 | 150 | 0.5 | 150/15 | 60 | | |
| 2N2218 | 800 | 30 | 40/120 | 150 | 1.6 | 500/50 | 250 | | |
| 2N2218A | 800 | 40 | 40/120 | 150 | 1 | 500/50 | 250 | | |
| 2N2219 | 800 | 30 | 100/300 | 150 | 1.6 | 500/50 | 250 | | |
| 2N2219A | 800 | 40 | 100/300 | 150 | 1 | 500/50 | 250 | | |
| 2N3019 | 800 | 80 | 100/300 | 150 | 0.5 | 500/50 | 100 TYP | | |
| 2N3020 | 800 | 80 | 40/120 | 150 | 0.5 | 500/50 | 80 TYP | | |
| 2N3053 | 800 | 40 | 50/250 | 150 | 1.4 | 150/15 | 100 TYP | | |
| 2N3107 | 800 | 60 | 100/300 | 150 | 1.4 | 150/15 | 100 TYP | | |
| 2N3108 | 800 | 60 | 40/120 | 150 | 1.4 | 150/15 | 100 TYP | | |
| 2N3109 | 800 | 40 | 100/300 | 150 | 1.4 | 150/15 | 100 TYP | | |
| 2N3110 | 800 | 40 | 40/120 | 150 | 1.4 | 150/15 | 100 TYP | | |
| 2N3300 | 800 | 30 | 100/300 | 150 | 0.22 | 150/15 | 250 | | |
| 2N5320 | 1000 | 75 | 30/130 | 500 | 0.5 | 500/50 | 50 | | |
| 2N5321 | 1000 | 50 | 40/250 | 500 | 0.8 | 500/50 | 50 | | |
| 2N697 | 600 | 40* | 40/120 | 150 | 1.5 | 150/15 | 50 | | |
| 2N699 | 600 | 80* | 40/120 | 150 | 1.5 | 150/15 | 50 | | |
| 2N3114 | 800 | 150 | 30 | 30 | 1.0 | 50/5 | 40 | | |
| 2N2270 | 1000 | 45 | 50/200 | 150 | 0.9 | 150/15 | 100 TYP | | |
| 2N2405 | 1000 | 90 | 60/200 | 150 | 0.5 | 150/15 | 120 TYP | | |

General Transistor Corporation
216 WEST FLORENCE AVENUE
INGLEWOOD, CALIFORNIA 90301
(213) 673-8422 • Telex 65-3474 • FAX (213) 672-2905

T-29-01
T-35-01
T-37-01

SMALL SIGNAL TRANSISTORS

PNP TRANSISTORS FOR LOW LEVEL, LOW NOISE APPLICATIONS

| Type No. | Ptot (mW) | VCEO (V) | hFE@IC | | VCE(SAT) | | fr (MHz) | ts tOFF (ns) | PACKAGE • |
|----------|--------------|-------------|---------|------|------------|--------|-------------|--------------------|-----------|
| | | | MIN/MAX | (mA) | (V) MAX | (mA) | | | |
| 2N3962 | 360 | 60 | 100/300 | 0.01 | 0.25 | 10/0.5 | 40 | 3 | TO-18 |
| 2N3963 | 360 | 80 | 100/300 | 0.01 | 0.25 | 10/0.5 | 40 | 3 | |
| 2N3964 | 360 | 45 | 250/500 | 0.01 | 0.25 | 10/0.5 | 50 | 2 | |
| 2N3965 | 360 | 60 | 250/500 | 0.01 | 0.25 | 10/0.5 | 50 | 2 | |

* hfe @ 1 kHz

NPN TRANSISTORS FOR LOW LEVEL, LOW NOISE APPLICATIONS

| Type No. | Ptot (mW) | VCEO (V) | hFE@IC | | VCE(SAT) | | fr (MHz) | ts tOFF (ns) | PACKAGE • |
|----------|--------------|-------------|---------|------|------------|--------|-------------|--------------------|-----------|
| | | | MIN/MAX | (mA) | (V) MAX | (mA) | | | |
| 2N930 | 300 | 45 | 100/500 | 0.01 | 1 | 10/0.5 | 30 | 3 | TO-18 |
| 2N2483 | 360 | 60 | 40/120 | 0.01 | 0.35 | 1/0.1 | 60 | 4 | |
| 2N2484 | 360 | 60 | 100/500 | 0.01 | 0.35 | 1/0.1 | 60 | 3 | |

* hfe @ 1 kHz

PNP TRANSISTORS FOR FAST AND ULTRA FAST SWITCHES

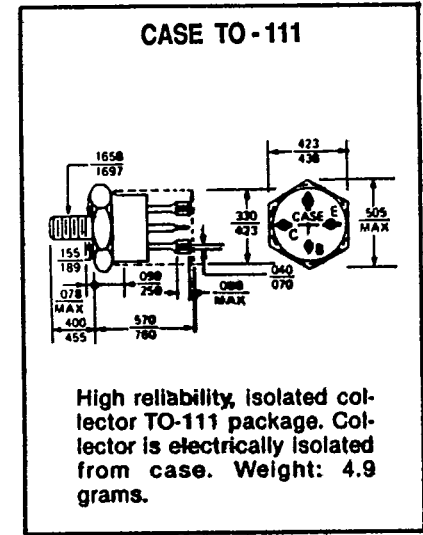
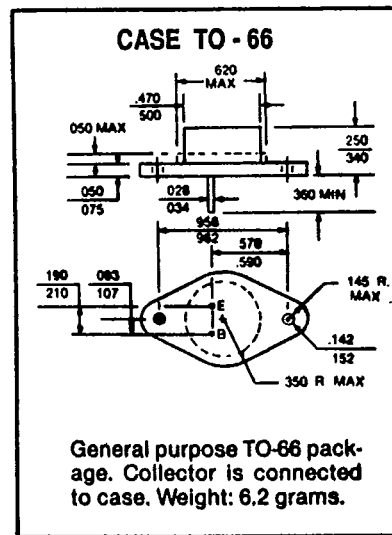
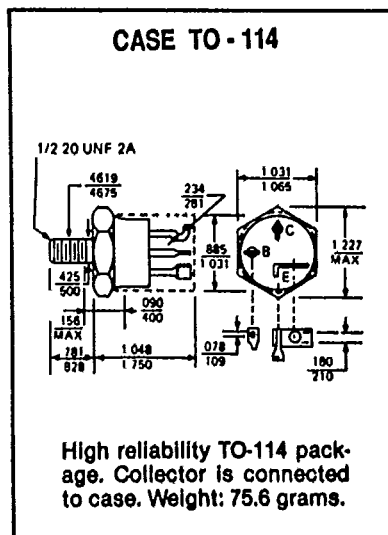
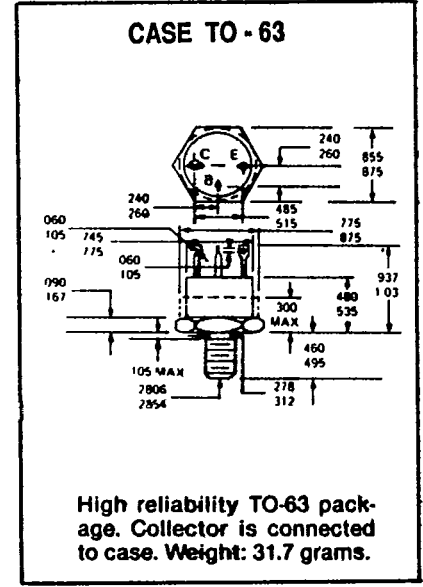
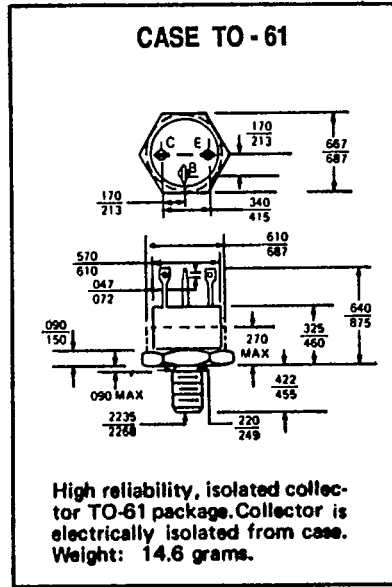
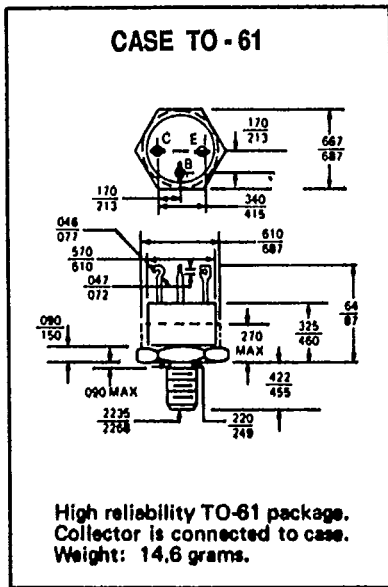
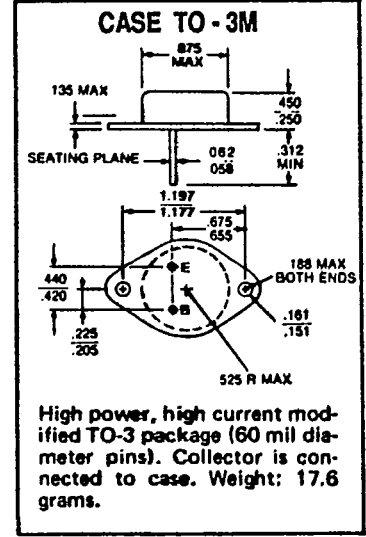
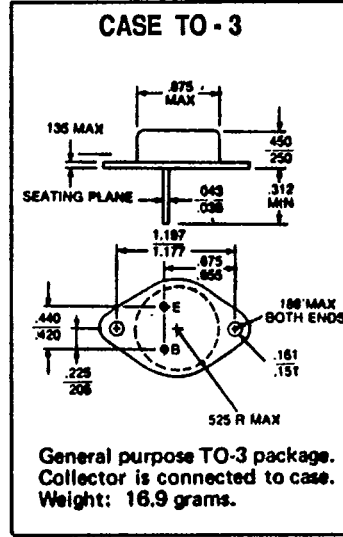
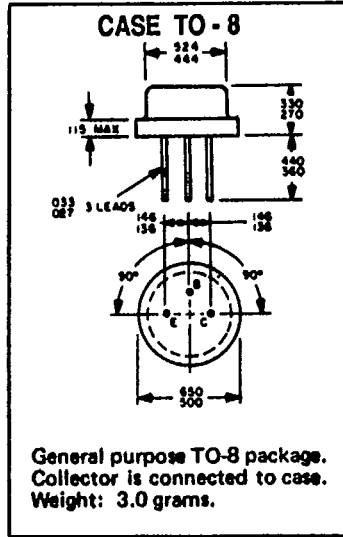
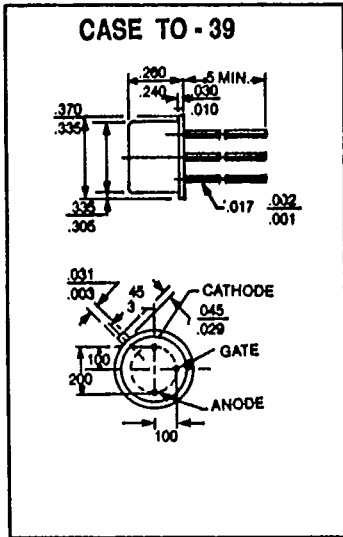
| Type No. | Ptot (mW) | VCEO (V) | hFE@IC | | VCE(SAT) | | fr (MHz) | ts tOFF (ns) | PACKAGE • |
|----------|--------------|-------------|---------|------|------------|--------|-------------|--------------------|-----------|
| | | | MIN/MAX | (mA) | (V) MAX | (mA) | | | |
| 2N2894 | 360 | 12 | 40/120 | 30 | 0.2 | 100/10 | 400 | 90 | TO-18 |
| 2N3209 | 360 | 20 | 30/120 | 30 | 0.2 | 30/3 | 400 | 90 | |

NPN TRANSISTORS FOR FAST AND ULTRA FAST SWITCHES

| Type No. | Ptot (mW) | VCEO (V) | hFE@IC | | VCE(SAT) | | fr (MHz) | ts tOFF (ns) | PACKAGE • |
|----------|--------------|-------------|---------|------|------------|--------|-------------|--------------------|-----------|
| | | | MIN/MAX | (mA) | (V) MAX | (mA) | | | |
| 2N708 | 360 | 15 | 30/120 | 10 | 0.4 | 10/1 | 300 | 75* | TO-18 |
| 2N914 | 360 | 15 | 30/120 | 10 | 0.7 | 200/20 | 300 | 20 | |
| 2N2368 | 360 | 15 | 20/60 | 10 | 0.25 | 10/1 | 400 | 15* | |
| 2N6369 | 360 | 15 | 40/120 | 10 | 0.25 | 10/1 | 500 | 13 | |
| 2N2369A | 360 | 15 | 40/120 | 10 | 0.2 | 10/1 | 500 | 13 | |
| 2N2845 | 360 | 30 | 30/120 | 150 | 0.4 | 150/15 | 350 | 40* | |
| 2N3013 | 360 | 15 | 25/- | 100 | 0.5 | 300/30 | 350 | 18 | TO-39 |
| 2N3014 | 360 | 20 | 30/120 | 30 | 0.18 | 100/10 | 350 | 18 | |
| 2N3724 | 800 | 30 | 60/150 | 100 | 0.20 | 100/10 | 300 | 60* | TO-39 |
| 2N3725 | 800 | 50 | 60/150 | 100 | 0.52 | 500/50 | 300 | 60* | |

CASE OUTLINES

T-91-20



CASE OUTLINES

