

### Features

- ✧ UL Recognized File # E-326854
- ✧ Plastic material used carriers Underwriters Laboratory Classification 94V-0
- ✧ Metal silicon junction, majority carrier conduction
- ✧ Low power loss, high efficiency
- ✧ High current capability, low forward voltage drop
- ✧ High surge capability
- ✧ For use in low voltage, high frequency inverters, free wheeling, and polarity protection applications
- ✧ Guard-ring for overvoltage protection
- ✧ High temperature soldering guaranteed: 260°C/10 seconds/.25", (6.35mm) from case
- ✧ Green compound with suffix "G" on packing code & prefix "G" on datecode



### Mechanical Data

- ✧ Case: JEDEC D<sup>2</sup>PAK molded plastic body
- ✧ Terminals: Pure tin plated, lead free, solderable per MIL-STD-750, Method 2026
- ✧ Polarity: As marked
- ✧ Mounting position: Any
- ✧ Mounting torque: 5 in. - lbs, max
- ✧ Weight: 1.35 grams

### Ordering Information

Part No.	Package	Packing	Packing code	Green Compound Packing code
MBRS10xxCT	D2PAK	800 / 13" REEL	RN	RNG

Note: "x" is Device Code from "35" thru "150".

### Maximum Ratings and Electrical Characteristics

Rating at 25 °C ambient temperature unless otherwise specified.

Single phase, half wave, 60 Hz, resistive or inductive load.

For capacitive load, derate current by 20%

Type Number	Symbol	MBRS 1035 CT	MBRS 1045 CT	MBRS 1050 CT	MBRS 1060 CT	MBRS 1090 CT	MBRS 10100 CT	MBRS 10150 CT	Unit
Maximum Repetitive Peak Reverse Voltage	V <sub>RRM</sub>	35	45	50	60	90	100	150	V
Maximum RMS Voltage	V <sub>RMS</sub>	24	31	35	42	63	70	105	V
Maximum DC Blocking Voltage	V <sub>DC</sub>	35	45	50	60	90	100	150	V
Maximum Average Forward Rectified Current	I <sub>F(AV)</sub>	10							A
Peak Forward Surge Current, 8.3 ms Single Half Sine-wave Superimposed on Rated Load (JEDEC method)	I <sub>FSM</sub>	120							A
Peak Repetitive Reverse Surge Current (Note 1)	I <sub>RRM</sub>	1							A
Maximum Instantaneous Forward Voltage (Note 2) IF=5A, T <sub>A</sub> =25°C IF=5A, T <sub>A</sub> =125°C IF=10A, T <sub>A</sub> =25°C IF=10A, T <sub>A</sub> =125°C	V <sub>F</sub>	0.70 0.57 0.80 0.67	0.80 0.65 0.90 0.75	0.85 0.75 0.95 0.85	0.88 0.78 0.98 0.88				V
Maximum Reverse Current @ Rated VR T <sub>A</sub> =25 °C T <sub>A</sub> =100 °C T <sub>A</sub> =125 °C	I <sub>R</sub>	0.1							mA
		15	10	-	5				
		-							
Typical Thermal Resistance	R <sub>θJC</sub>	2							°C/W
Operating Temperature Range	T <sub>J</sub>	- 65 to + 150							°C
Storage Temperature Range	T <sub>STG</sub>	- 65 to + 175							°C

Note 1: 2.0uS Pulse Width, f=1.0KHz

Note 2: Pulse Test : 300uS Pulse Width, 1% Duty Cycle

RATINGS AND CHARACTERISTIC CURVES (MBRS1035CT THRU MBRS10150CT)

FIG.1 FORWARD CURRENT DERATING CURVE

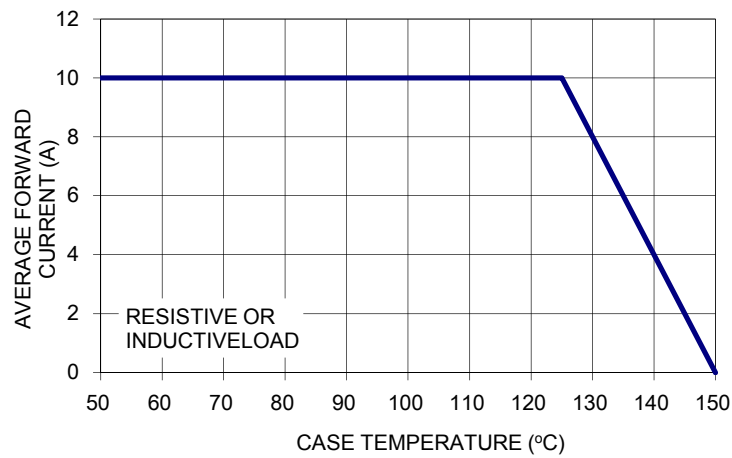


FIG. 2 MAXIMUM NON-REPETITIVE FORWARD SURGE CURRENT PER LEG

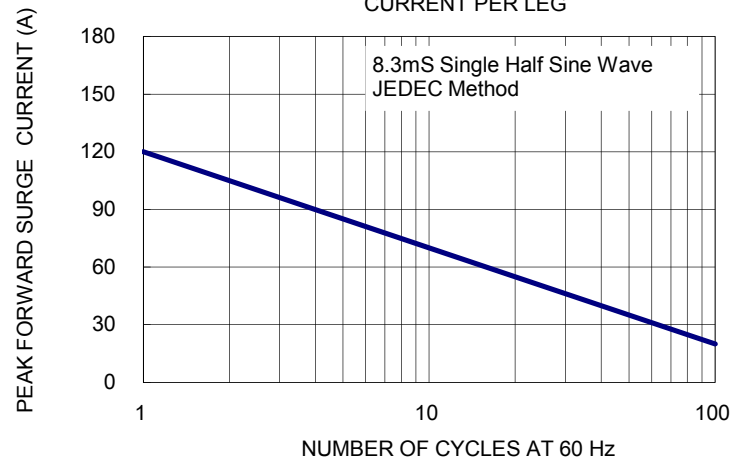


FIG. 3 TYPICAL FORWARD CHARACTERISTICS PER LEG

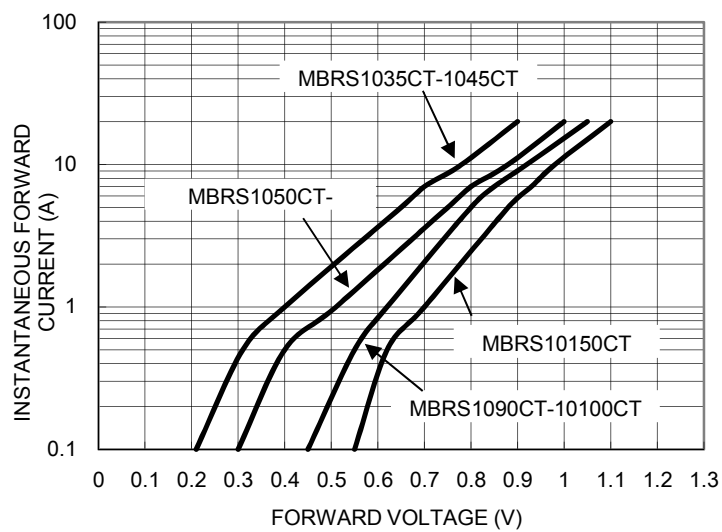


FIG. 4 TYPICAL REVERSE CHARACTERISTICS PER LEG

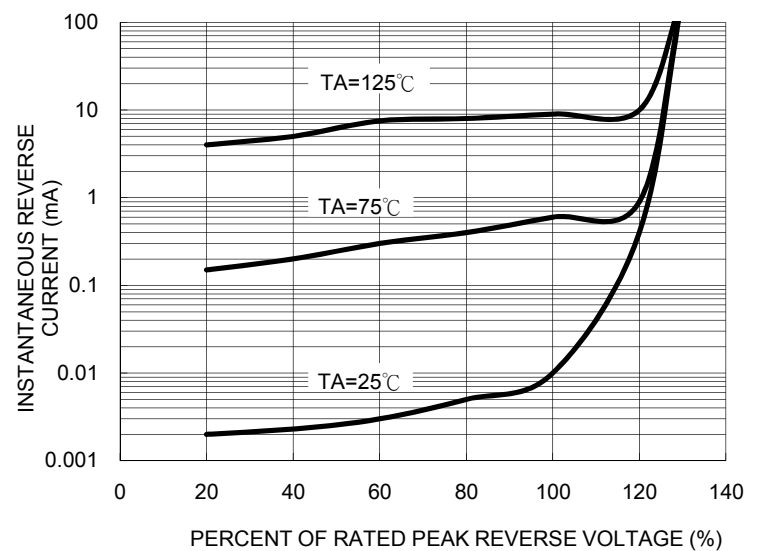


FIG. 5 TYPICAL JUNCTION CAPACITANCE

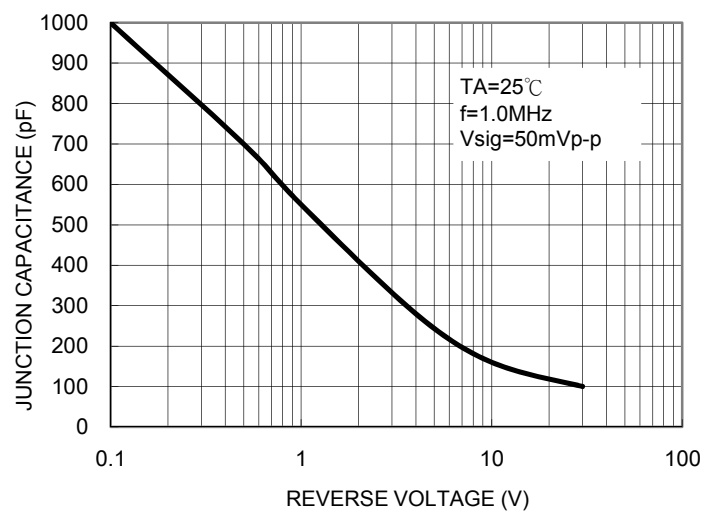
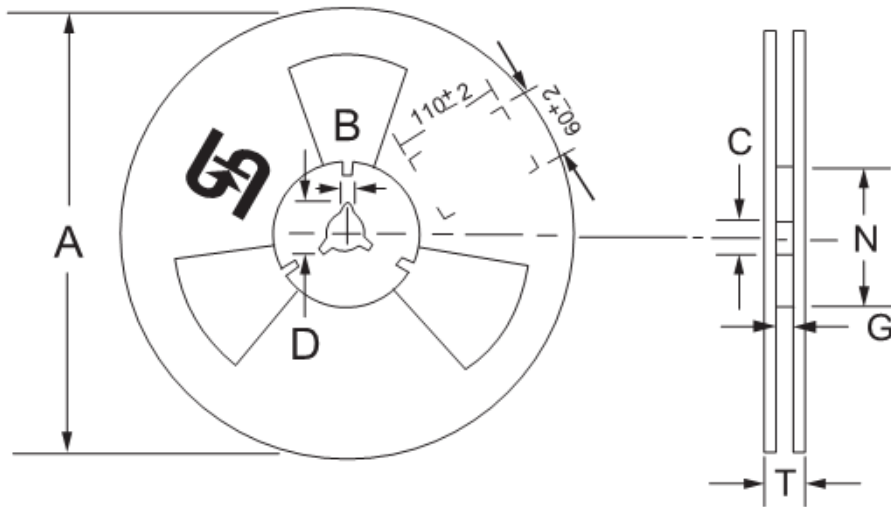
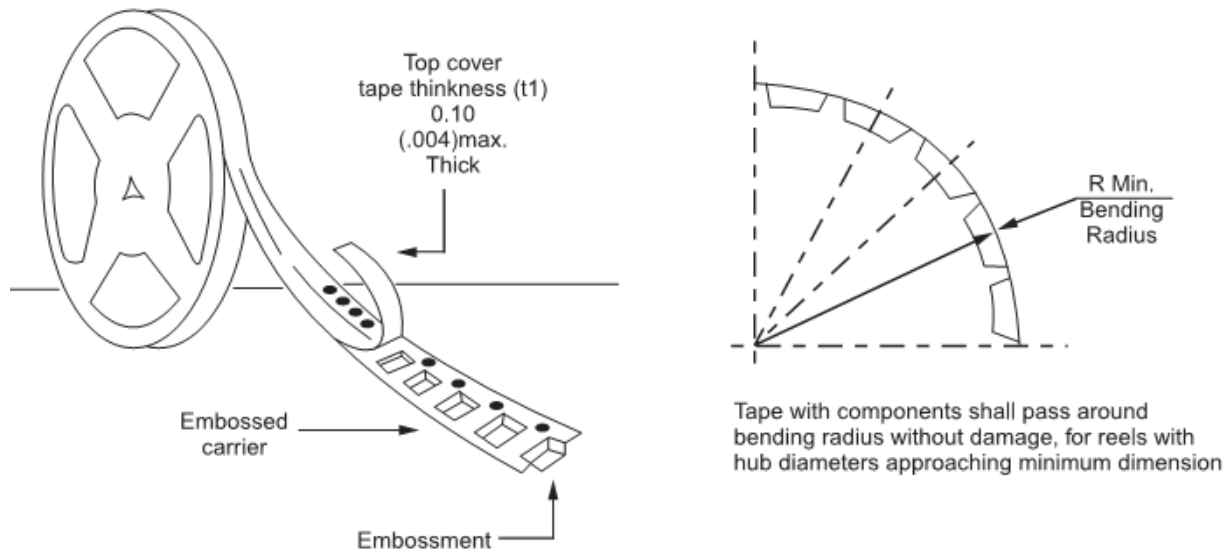


FIG. 6 TYPICAL TRANSIENT THERMAL IMPEDANCE PER LEG



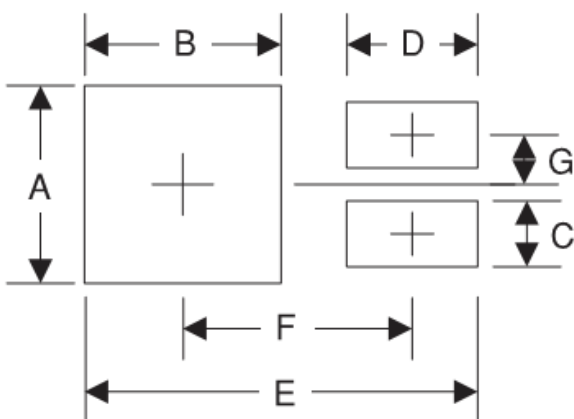
### Tape & Reel specification



Reel Size	Tape Size	A	B	C	D	N	G	T
		max	±0.5	±0.5	min	±0.5	+2.0;-0	max
13"	24mm	330	2	13	20.2	75	24.4	30.4

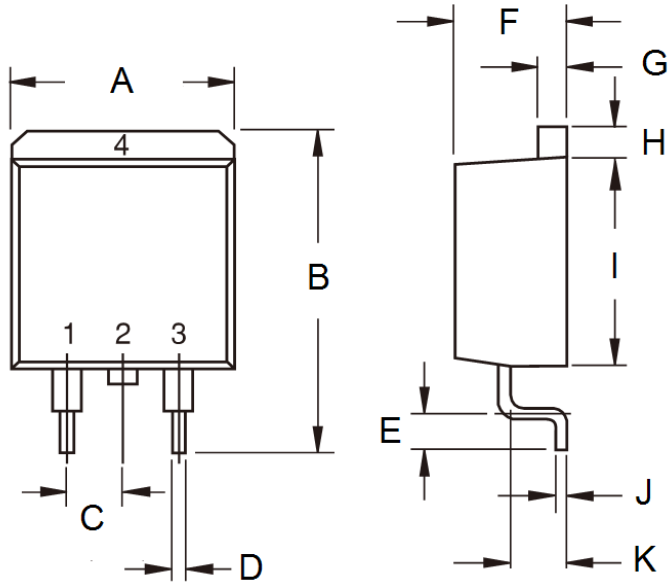
Unit (mm)

### Suggested PAD Layout

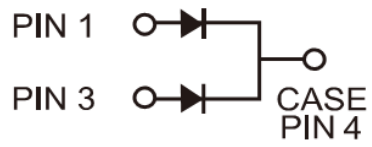


Symbol	Unit(mm)
A	10.8
B	7
C	1.1
D	3.5
E	16.9
F	9.5
G	2.5

### Dimensions



DIM.	Unit(mm)		Unit(inch)	
	Min	Max	Min	Max
A	-	10.5	-	0.413
B	14.60	15.88	0.575	0.625
C	2.41	2.67	0.095	0.105
D	0.68	0.94	0.027	0.037
E	2.29	2.79	0.090	0.110
F	4.44	4.70	0.175	0.185
G	1.14	1.40	0.045	0.055
H	1.14	1.40	0.045	0.055
I	8.25	9.25	0.325	0.364
J	0.36	0.53	0.014	0.021
K	2.03	2.79	0.080	0.110



### Marking Diagram



P/N = Specific Device Code  
 G = Green Compound  
 YWW = Date Code