

VARIOFACE System Connection for PLC-INTERFACE PLC-V8/... and PLC-V8L/...

1. Brief Description

PLC-V8/FLK14/... are new VARIOFACE adapters, which connect the PLC-INTERFACE with the VARIOFACE system cabling. The PLC-V8 adapter is simply inserted in the jumper slots of eight PLC-INTERFACE modules mounted side by side. No additional tools are required. This results in an 8-channel relay or optocoupler module with a width of less than 50 mm (1.969 in.). The insertion of electromechanical or solid-state relays can be freely selected for each channel.

The various adapters for input/output functions can be recognized by their designations, which end with IN or OUT. Adapters with universal 15-pos. D-SUB connections are available with the **PLC-V8/D15....**

PLC-V8L/... adapters connect the PLC-INTERFACE 14 mm (0.551 in.) series (two Form C contacts, versions for high inrush current (IC), and high continuous current (HC)) with the VARIOFACE system cabling.

The **cross list** on this page enables the quick and precise selection of the appropriate adapter for the selected PLC-INTERFACE.



Cross list PLC-V8...

PLC-INTERFACE

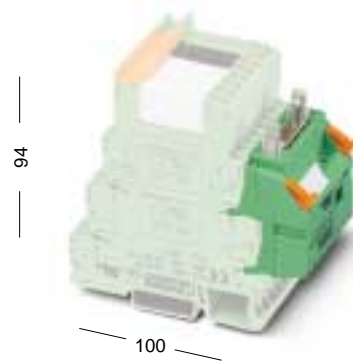
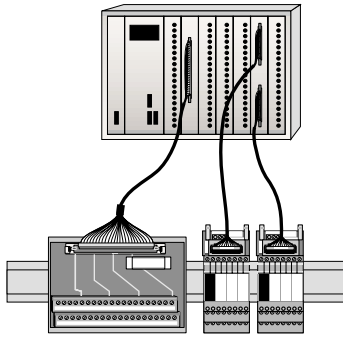
PLC-INTERFACE	Adapter PLC-V8/.../ IN	Adapter PLC-V8/.../ OUT
PLC-R...-12DC/21AU	•	•
PLC-R...-24DC/21AU	•	•
PLC-R...-24UC/21AU	•	•
PLC-R...-48DC/21AU	•	•
PLC-R...-60DC/21AU	•	•
PLC-R...-120UC/21AU	•	•
PLC-R...-230UC/21AU	•	•
PLC-R...-24DC/21	•	•
PLC-R...-24UC/21	•	•
PLC-O...-24DC/48DC/100	•	•
PLC-O...-48DC/48DC/100	•	•
PLC-O...-60DC/48DC/100	•	•
PLC-O...-120UC/48DC/100	•	•
PLC-O...-230UC/48DC/100	•	•
PLC-O...-24DC/24DC/2	•	•
PLC-O...-24DC/230AC/1	•	•
PLC-R...-24DC/1ACT	•	•
PLC-O...-24DC/24DC/2/ACT	•	•
PLC-OSC-24DC/230AC/1/ACT	•	•
PLC-R...-24DC/1AU/SEN	•	•
PLC-R...-120UC/1AU/SEN	•	•
PLC-R...-230UC/1AU/SEN	•	•
PLC-O...-24DC/48DC/100/SEN	•	•
PLC-O...-120UC/48DC/100/SEN	•	•
PLC-O...-230UC/48DC/100/SEN	•	•
PLC-VT	•	•
PLC-VT/LA	•	•
PLC-VT/AKT	•	•
PLC-VT/AKT/LA	•	•

Cross list PLC-V8L...

PLC-INTERFACE

PLC-INTERFACE	Adapter PLC-V8L/.../ OUT
PLC-RSC-24DC/21/21	•
PLC-RSC-24UC/21/21	•
PLC-RSC-24DC/21/21AU	•
PLC-RSC-24UC/21/21AU	•
PLC-RSC-24DC/1-1/ACT	•
PLC-RSC-24DC/1IC/ACT	•
PLC-RSC-24DC/HC	•

2. Technical Data



PLC-V8/FLK14/...

VARIOFACE adapter for 6.2 mm (0.244 in.) PLC-INTERFACE



M 3

8

solid flexible
[mm²] AWG

Connection data 0.2 - 4 0.2 -2.5 24 - 12

Housing width 49.6 mm (1.953 in.)

Description

VARIOFACE output adapter, for 8 PLC interfaces, with 14-pos. flat-ribbon cable connection, for PLC system cabling

VARIOFACE input adapter, for 8 PLC interfaces, with 14-pos. flat-ribbon cable connection, for PLC system cabling

Type

PLC-V8/FLK14/OUT

Order No.

22 95 55 4

Pcs. Pkt.

1

PLC-V8/FLK14/IN

22 96 55 3

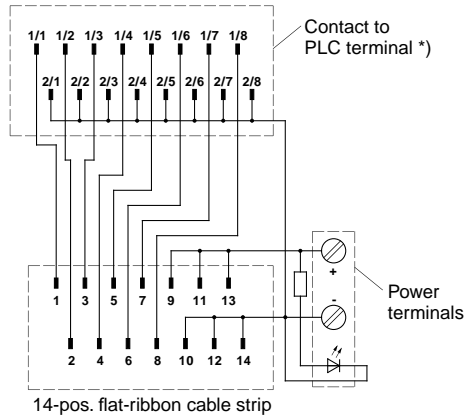
1

Technical Data

Operating voltage
Maximum permissible current: Per signal path
Voltage supply
Ambient operating temperature range
Test voltage
Connection type: Signal level
Standards/specifications Voltage supply

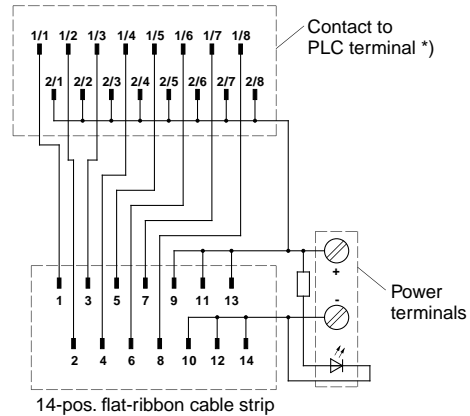
24 V DC ±10%
1 A
3 A
-20°C to +60°C (-4°F to +140°F)
0.5 kV AC (60 s)
14-pos. flat-ribbon cable male connector according to IEC 603-1/DIN 41 651
Screw-cage connection 0.2 - 2.5 mm² (24 - 12 AWG)
IEC 664 (1980)/IEC 664A (1981)
DIN VDE 0110/(1.89)
Degree of pollution 2
Surge Voltage Category III

Connection diagram for the PLC-V8/FLK14/OUT



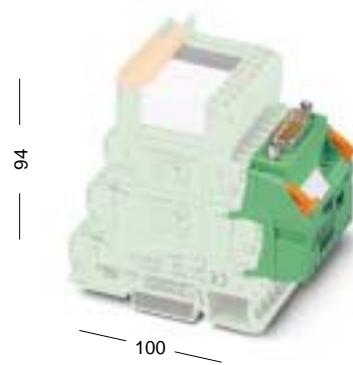
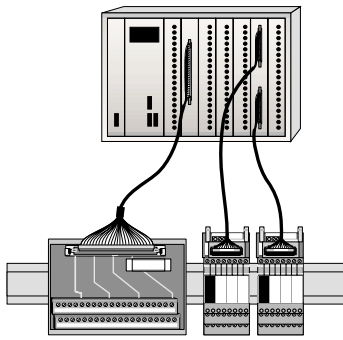
*) See last page

Connection diagram for the PLC-V8/FLK14/IN



*) See last page

VARIOFACE System Connection for PLC-INTERFACE (6.2 mm [0.244 in.] – PLC-V8/...



PLC-V8/D15...

VARIOFACE adapter for 6.2 mm (0.244 in.) PLC-INTERFACE

Housing width 49.6 mm (1.953 in.)

	solid [mm ²]	flexible AWG
Connection data	0.2 - 4	0.2 - 2.5 24 - 12

Description

VARIOFACE output adapter , for 8 PLC interfaces, with 15-pos. D-SUB connection	Male connector Female connector
VARIOFACE input adapter , for 8 PLC interfaces, with 15-pos. D-SUB connection	Male connector Female connector

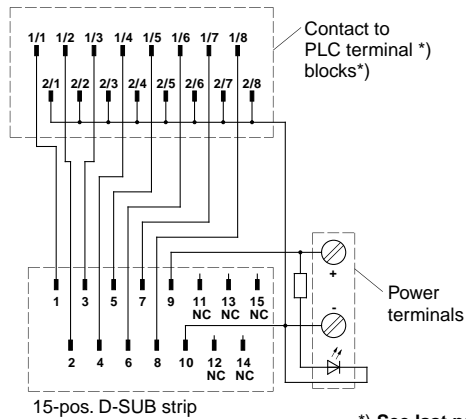
Type	Order No.	Pcs. Pkt.
PLC-V8/D15S/OUT	22 96 05 8	1
PLC-V8/D15B/OUT	22 96 06 1	1
PLC-V8/D15S/IN	22 96 07 4	1
PLC-V8/D15B/IN	22 96 08 7	1

Technical Data

Operating voltage	24 V DC ±10%
Maximum permissible current:	Per signal path Voltage supply
Ambient operating temperature range	-20°C to +60°C (-4°F to +140°F)
Test voltage	0.5 kV AC (60 s)
Connection type:	Signal level
Standards/specifications	Voltage supply

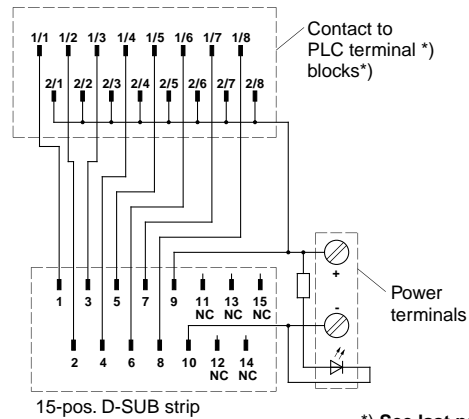
24 V DC ±10%
1 A
3 A
-20°C to +60°C (-4°F to +140°F)
0.5 kV AC (60 s)
15-pos. D-SUB male connector according to IEC 807-2/DIN 41.652
Screw-cage connection 0.2 - 2.5 mm ² (24 - 12 AWG)
IEC 664 (1980)/IEC 664A (1981)
DIN VDE 0110/(1.89)
Degree of pollution 2
Surge Voltage Category III

**Connection diagram for the PLC-V8/D15S/OUT
PLC-V8/D15B/OUT**



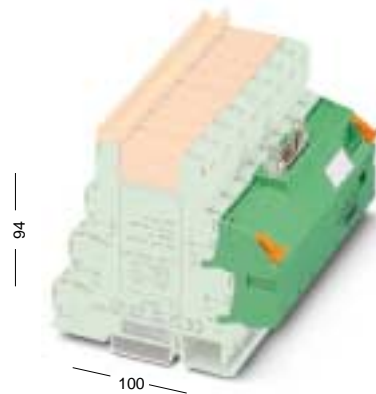
*) See last page

**Connection diagram for the PLC-V8/D15S/IN
PLC-V8/D15B/IN**



*) See last page

VARIOFACE System Connection for PLC-INTERFACE (14 mm [0.551 in.]) – PLC-V8L/...



PLC-V8L/FLK14/OUT

VARIOFACE adapter for 14 mm (0.551 in.) PLC-INTERFACE

Housing width 112.3 mm (4.421 in.)

	solid [mm ²]	flexible	AWG
Connection data	0.2 - 4	0.2 - 2.5	24 - 12

Description

VARIOFACE output adapter, for 8 PLC interfaces (14 mm [0.551 in.]), with 14-pos. flat-ribbon cable connection, for PLC system cabling

Technical Data

Operating voltage		
Maximum permissible current:		Per signal path Voltage supply
Ambient operating temperature range		
Test voltage		
Connection type:		Signal level
		Voltage supply
Standards/specifications		

Type

PLC-V8L/FLK14/OUT

Order No.

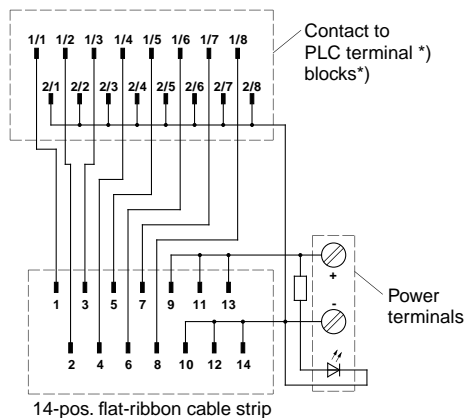
22 99 66 0

Pcs. Pkt.

1

24 V DC $\pm 10\%$
 1 A
 3 A
 -20°C to +50°C (-4°F to +122°F)
 0.5 kV AC (60 s)
 14-pos. flat-ribbon cable male connector according to IEC 603-1/DIN 41 651
 Screw-cage connection 0.2 - 2.5 mm² (24 - 12 AWG)
 IEC 664 (1980)/IEC 664A (1981)
 DIN VDE 0110/(1.89)
 Degree of pollution 2
 Surge Voltage Category III

Connection diagram for the PLC-V8L/FLK14/OUT



*) 1/1; 1/2; 1/3; ... 1/8 \cong Lower jumper level of PLC-INTERFACE
 2/1; 2/2; 2/3; ... 2/8 \cong Upper jumper level of PLC-INTERFACE