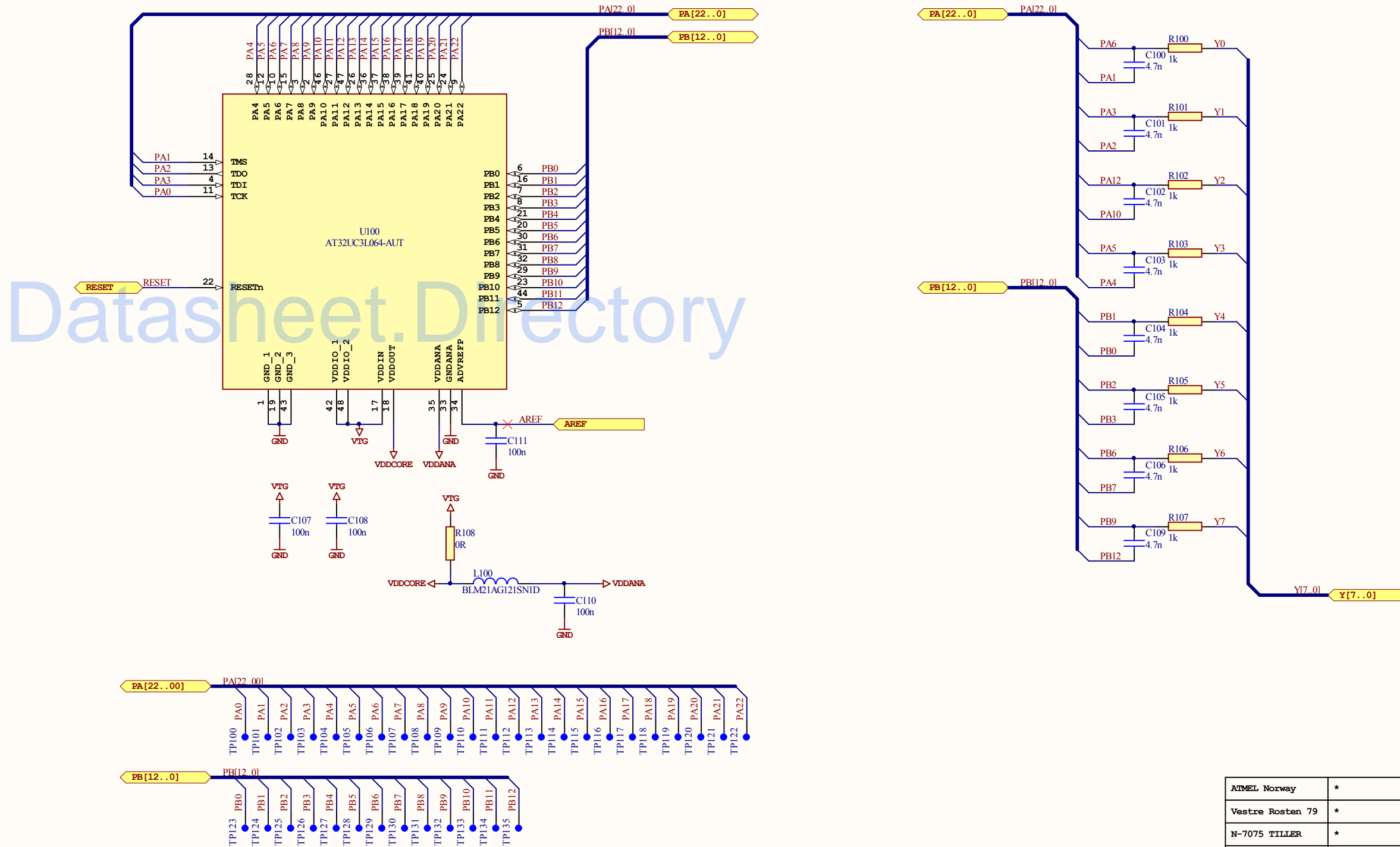


QT600-AT32UC3L-QM64

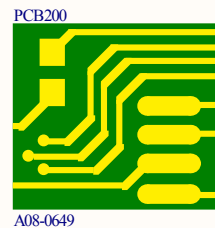
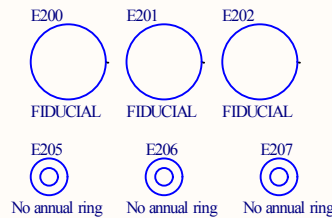
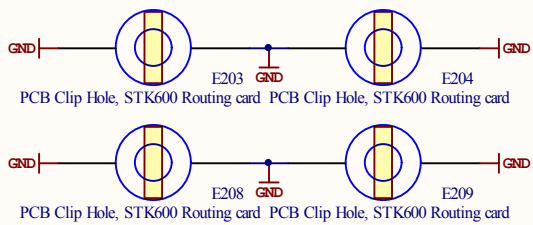
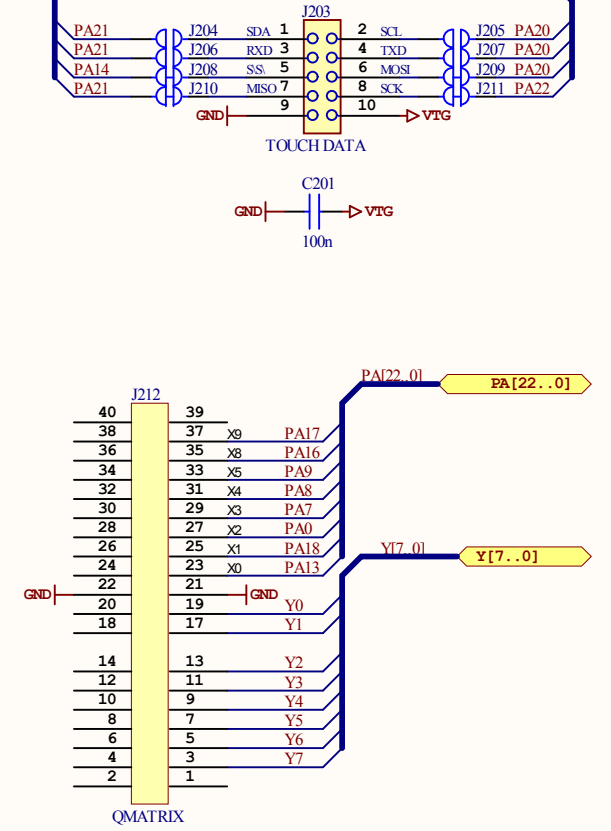
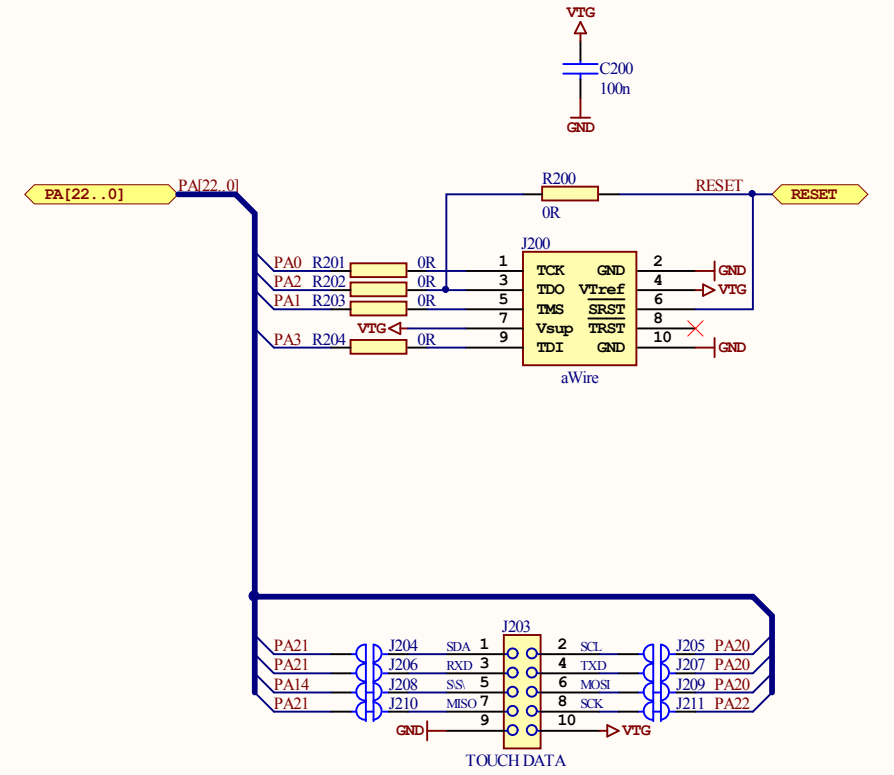
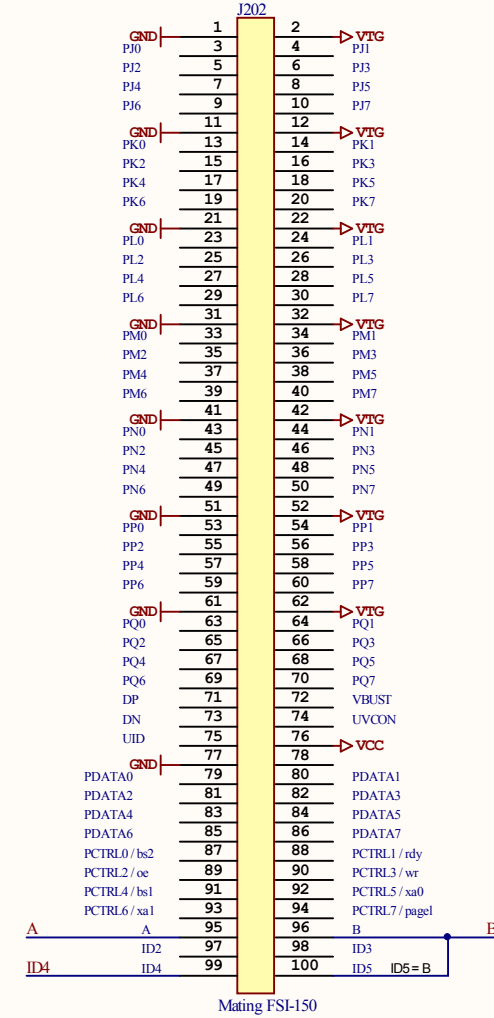
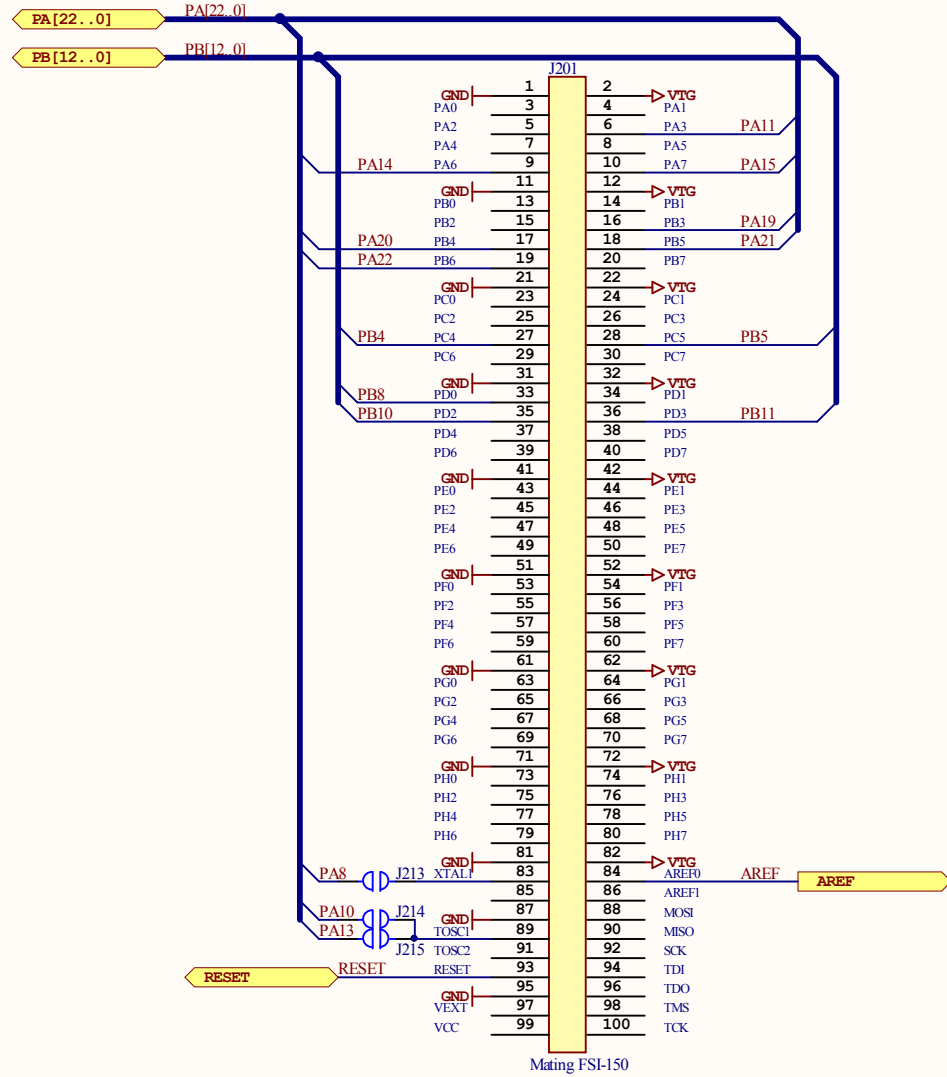
QT600 MCU card



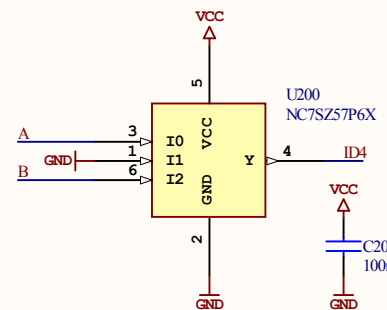
ATMEL Norway	*			
Vestre Rosten 79	*			
N-7075 TILLER	*			
NORWAY				
Date:	09.09.2009	09:50:01	PAGE: 1 of 2	
Document number:	*	Revision: 2		
TITLE: QT600-AT32UC3L-QM64				
MCU.SchDoc				

QT600-AT32UC3L-QM64

QT600 MCU card



Board ID: 0x1C ID4: /(A+B) ID5: B



ATMEL Norway	*			
Vestre Rosten 79	*			
N-7075 TILLER	*			
Date:	09.09.2009	09:50:01	PAGE: 2 of 2	
Document number:	*		Revision: 2	
TITLE: QT600-AT32UC3L-QM64				
Connectors.SchDoc				