

Winchester Electronics offers you a Shielded Telecom Delta Ribbon connector with Small C-Press® - 84 Series in addition to Standard C-Press® 88 Series. The Small C-Press® requires a smaller hole in the PCB, thus

provides for additional space for traces between contact positions. Sizes 50, 36, and 24 positions are available in both plug and receptacle. These connectors meet industry standards as defined by RS232 and RS449.

SPECIFICATIONS

INSULATORS

Material: Polyester thermoplastic glass reinforced, UL rated 94 V-O

Color: Black

Insulation Resistance: 5,000 Megohms (min.)

Operating Temperature: -55°C to +105°C

CONTACTS

Material: Copper Alloy 725

Plating: Selective plating. See Plating Chart

Current Rating: 1 amp at 70°C
3 amps at 20°C

DUST COVER/INSERTION CAP:

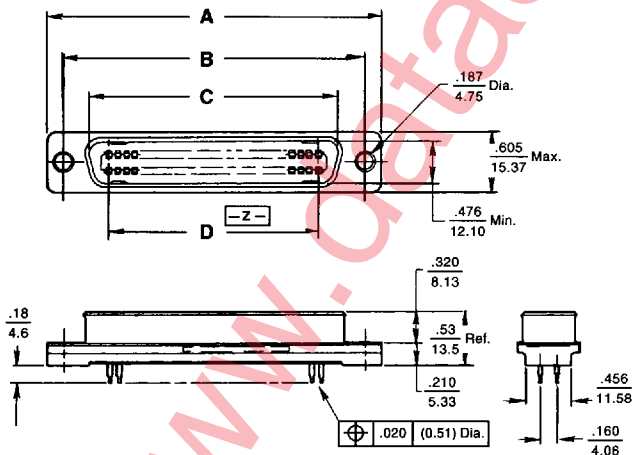
Material: Polycarbonate thermoplastic, UL rated 94 V-O

Color: Receptacle - Red
Plug - Blue

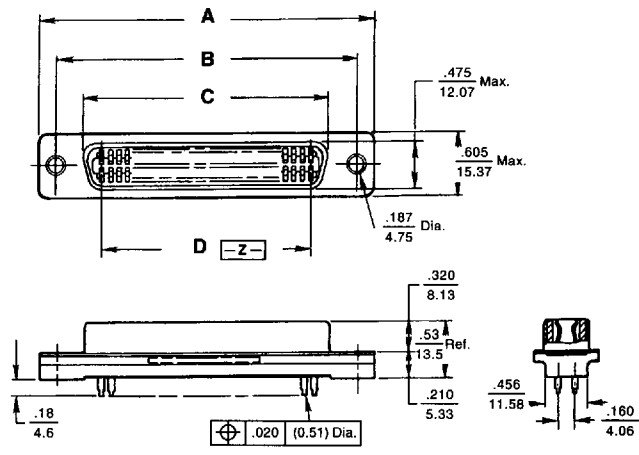
Recognized under the Component Program of Underwriters Laboratories Inc. File No. E136181, to Standard UL 1863

OUTLINE

Plug



Receptacle



DIMENSIONS

Catalog No.	A	B	C	D
184-1224P	2.165	1.842	1.437	.935
188-1224P	(54.99)	(46.79)	(36.50)	(23.75)
184-1236P	2.675	2.352	1.938	1.445
188-1236P	(67.95)	(59.74)	(49.23)	(36.70)
184-1250P	3.270	2.947	2.538	2.040
188-1250P	(83.06)	(74.85)	(64.47)	(51.82)

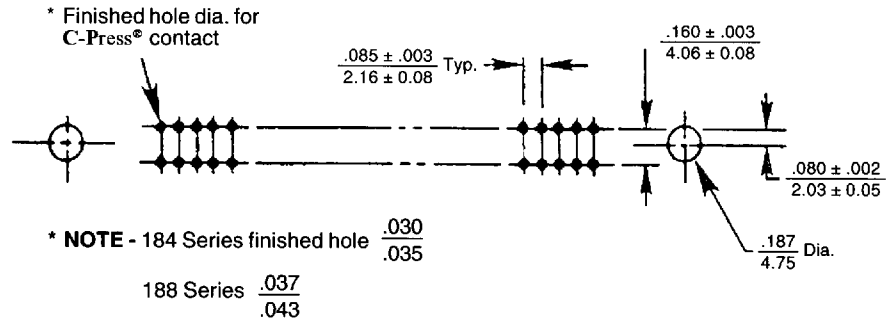
Winchester Electronics

400 Park Road ■ Watertown, Connecticut 06795-0500 ■ Phone: (860) 945-5000 ■ FAX: (860) 945-5191 ■ Internet: <http://www.litton-wed.com>

BACKPANEL REQUIREMENTS

Hole Pattern

.085" x .160" Grid

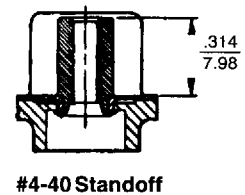
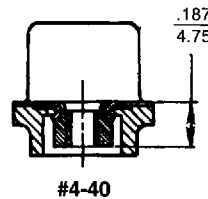


HOLE SIZE & PLATING

See details on page CP / 5

INSERTS

Inserts



Dust Cover/Insertion Cap



A dust cover that also acts as the insertion tool comes with each connector. These caps are coded red for receptacle and blue for plug per telecommunications standards.

ORDERING INFORMATION

