

PRODUCT NUMBER

10129383 - X YY XXX X LF

LEAD FREE OPTION
(SEE NOTES 7)

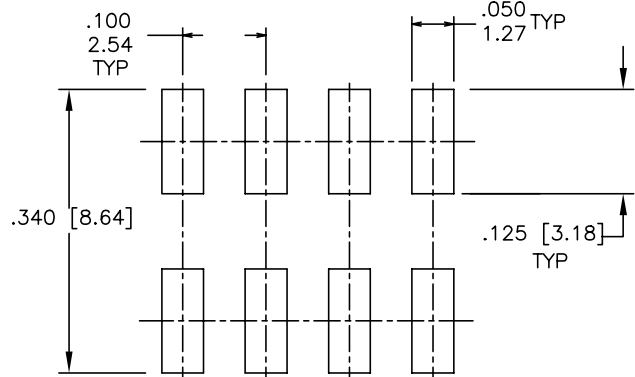
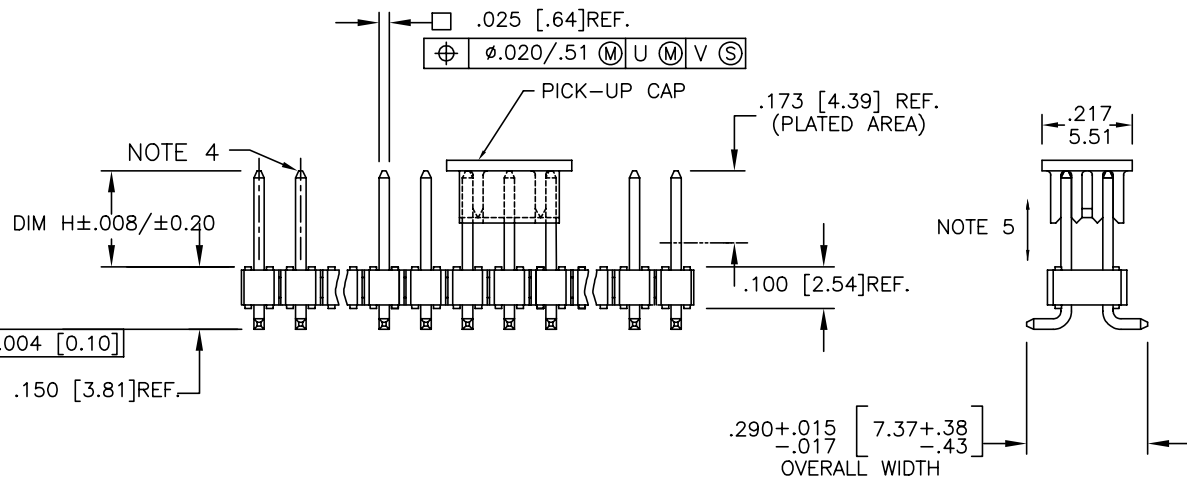
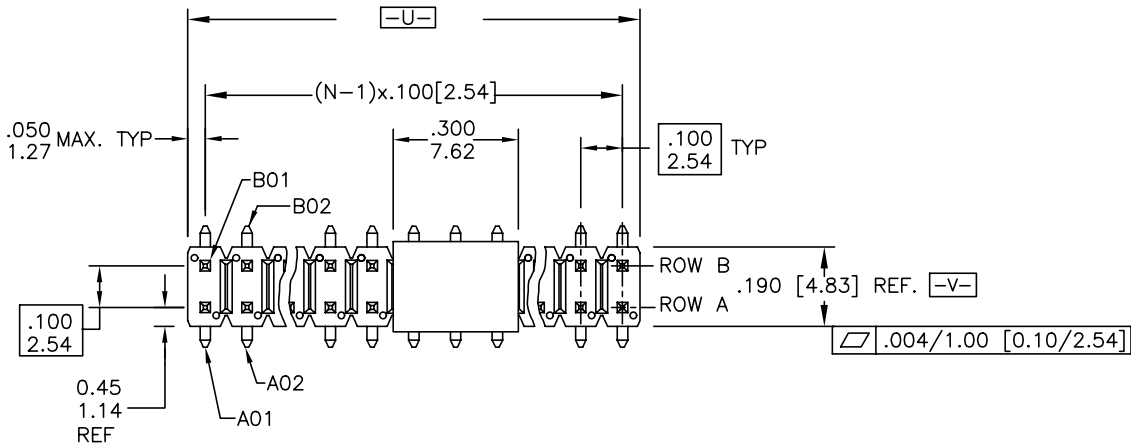
PACKAGING OPTIONS
(SEE NOTE 3)

INDICATES DIFFERENT MATING LENGTH
TAIL LENGTH AND OTHER OPTIONS
(SEE TABLE IN SHEET 2)

NO OF
POSITIONS
(SEE NOTE 2)

PIN PLATING
(SEE SHEET 2)

BASE PART NO.



RECOMMENDED PAD LAYOUT
SCALE 4:1

mat'l. code SEE NOTES 1		surface ISO 1302 ✓	tolerance ISO 406 ISO 1101	projection INCH/MM	product family ECONOSTIK
ltr ecn noor date		tolerances unless otherwise specified		title	
A	NEW ZK 04/23/14	angles	line	ECONOSTIK HEADER .100/2.54cc DR SMT	
B	ELX-N-18529 ZK 08/14/14	0°±2°	XXXX±.008/XXX±0.20 XXXX±.0040/XXX±0.100	dwg no 10129383 sheet 1 of 2 size A3	
dr ZK HU 04/23/14		engr ZK HU 04/23/14		type Product Customer Drawing	
chr RICK BIAN 04/23/14		appd RICK BIAN 04/23/14		scale 2:1	
sheet index	revision sheet	B 1	B 2		

PRODUCT NUMBER	MATING LENGTH	
	DIM H	DIM H
	ENGLISH	METRIC
10129383-XY001XLF	0.230	5.84
10129383-XY002XLF	0.318	8.08

PIN PLATING CODES:	
10129383-9YYXXXXLF	1u"/0.025u MIN Au OVER 50u"/1.27u MIN Ni

NOTES:

1. MATERIAL

BODAY MATERIAL: HIGH TEMPERATURE THERMOPLASTIC.
 FLAME UL94-V0, BLACK.
 PIN MATERIAL: COPPER ALLOY.

2. ANY NUMBER OF POSITIONS FROM 4(2X2) TO 40(2X20).

N=NO. OF POSITION /2
 PRODUCT MAYBE CUTTING TO POSITION,
 THE CUTTING PLASH IS 0.02[0.51] MAX.

3. PACKING STYLE DEFINITION.

B: PACKED WITH POLY BAG
 T: PACKED WITH TUBE
 A: PACKED WITH TAPE AND REEL WITH PICK UP CAP
 C: PACKED WITH TAPE AND REEL WITHOUT PICK UP CAP

4. TWO SIDES OF PIN TIPS NOT PLATED, TYPICAL BOTH ENDS.

5. 2LBS/0.9KG MIN PIN RETENTION IN EITHER DIRECTION BEFORE REFLOW.

6. THE OAL DON'T EXCEED 1 INCH / 25.4MM.

7. ADD LF AT THE END OF PART NUMBER IS FOR LEAD FREE.

8. THESE PRODUCT MEETS EUROPEAN UNION DIRECTIVES AND OTHER
 COUNTRY REGULATION AS DESCRIBED IN GS-22-008.

9. THE HOUSING WILL WITHSTAND EXPOSURE TO 260°C PEAK TEMPERATURE
 FOR 20 SECONDS IN A CONVECTION, INFRA-RED OR VAPOR PHASE REFLOW OVEN.

10. PRODUCT SPECIFICATION: GS-12-1223

mat'l. code SEE NOTES 1	surface ISO 1302 ✓	tolerance ISO 406 ISO 1101	projection 	product family ECONOSTIK
ltr ecn no dr date	tolerances unless otherwise specified			title ECONOSTIK HEADER .100/2.54cc DR SMT
B	angles 0°±2°	linear XX±.01/XX±0.3 XXX±.008/XXX±0.20 XXXX±.0040/XXXX±0.100	INCH/MM scale 2:1	dwg no 10129383
	dr ZK HU	04/23/14		sheet 2 of 2 size A3
	engr ZK HU	04/23/14		type Product Customer Drawing
	chr RICK BIAN	04/23/14		
	appd RICK BIAN	04/23/14		
sheet index	revision sheet			