

Place close to U101

VCC VCC

C112 100n C113 100n

LCD\_PS=H: Parallel Interface  
 LCD\_PS=L: Serial Interface  
 LCD\_MI=H: 6800 mode  
 LCD\_MI=L: 8080 mode

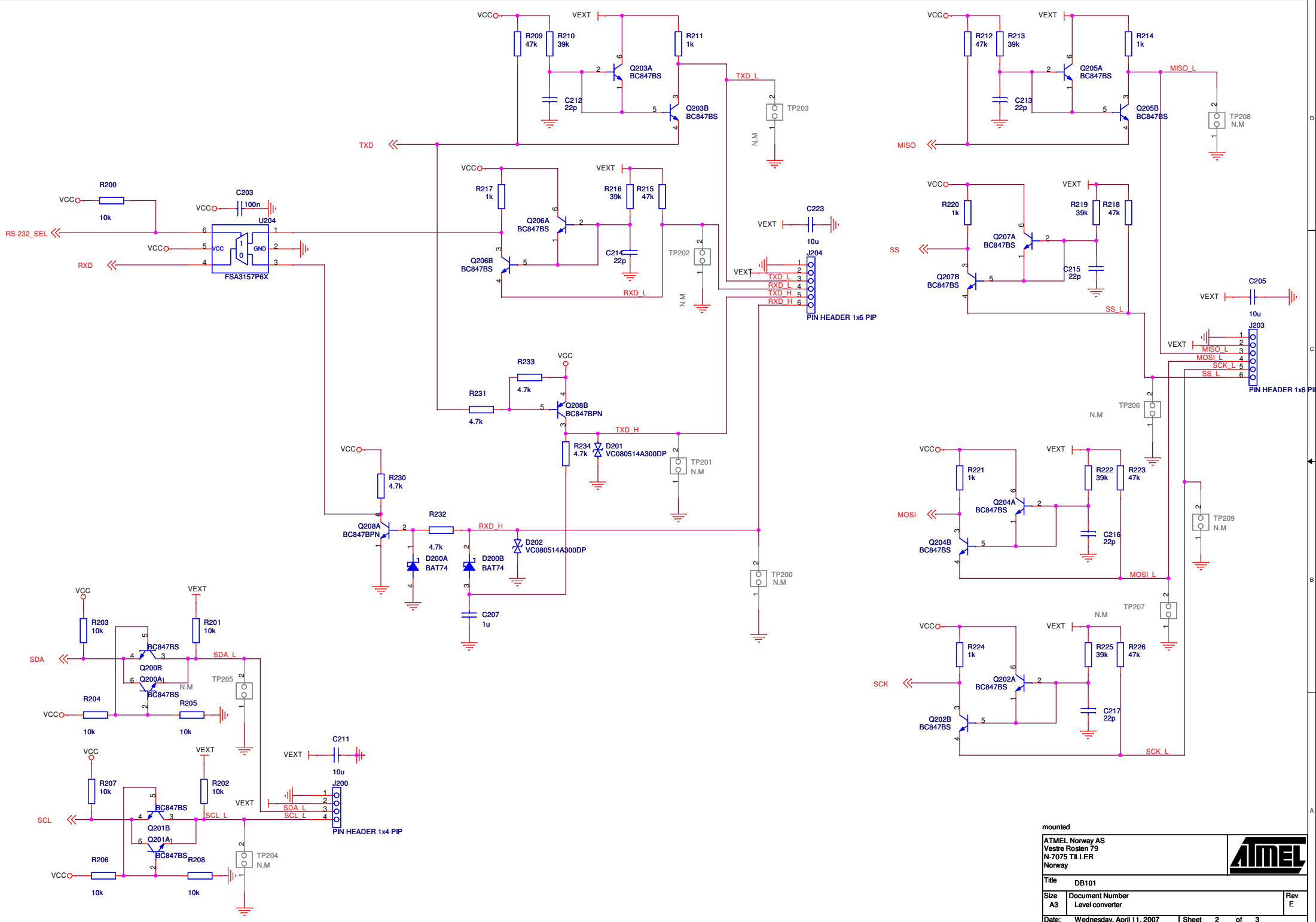
ID\_0=H & ID\_1=H: 64128COG Display  
 ID\_0=L & ID\_1=H: 64128G Display  
 ID\_0=H & ID\_1=L: 64128G-RGB Display  
 ID\_0=L & ID\_1=L: Future Display

mounted

ATMEL Norway AS  
 Vestre Rosten 79  
 N-7075 TILLER  
 Norway

**ATMEL**

Title	DB101	Rev	E
Size	Document Number		
A3	Display Control		
Date:	Wednesday, April 11, 2007	Sheet	1 of 3

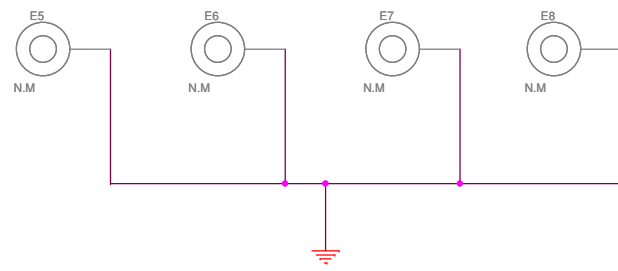
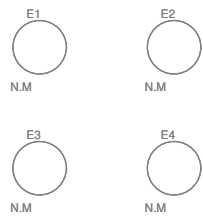
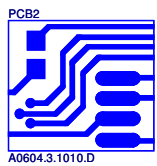
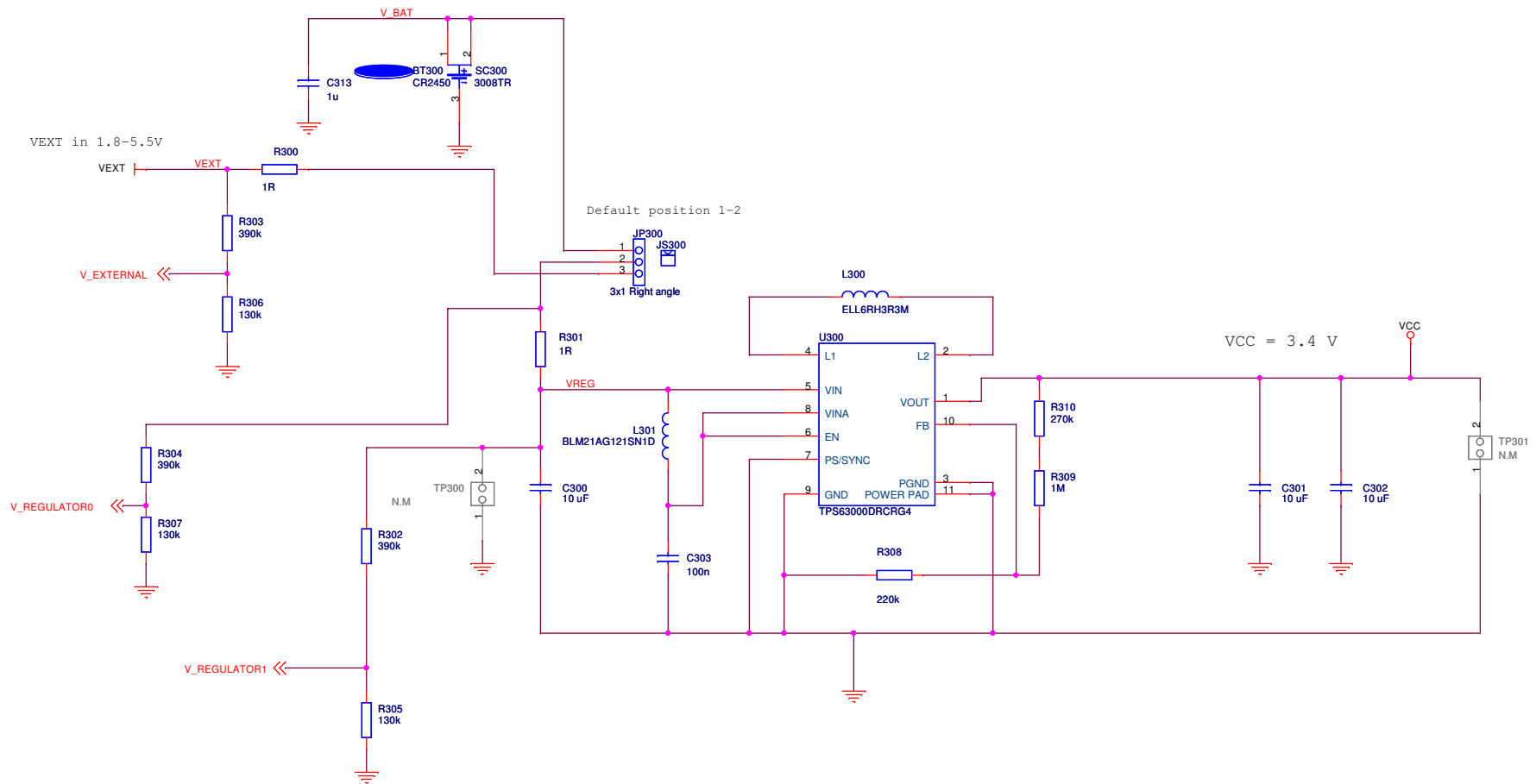


mounted

ATMEL Norway AS  
 Vestre Rosten 79  
 N-7075 TILLER  
 Norway

**ATMEL**

Title DB101		
Size A3	Document Number Level converter	Rev E
Date: Wednesday, April 11, 2007	Sheet 2 of 3	



mounted		
ATMEL Norway AS Vestre Rosten 79 N-7075 TILLER Norway		
Title DB101		
Size A3	Document Number Power	Rev E
Date: Wednesday, April 11, 2007	Sheet 3	of 3

