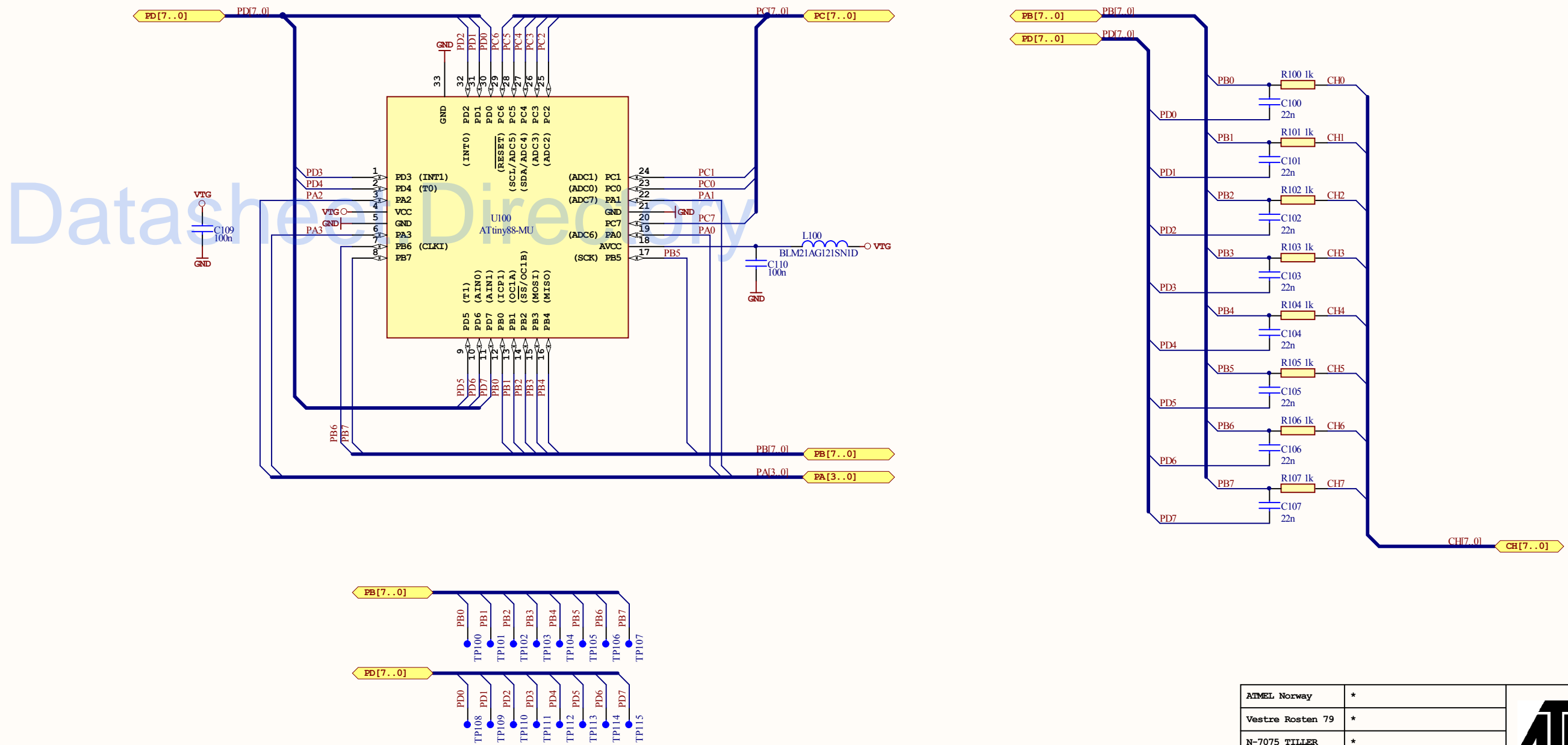


QT600-ATTINY88-QT8

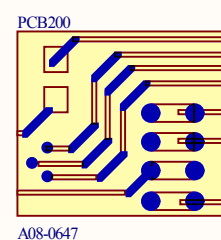
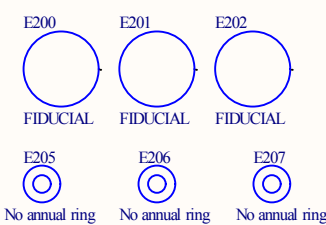
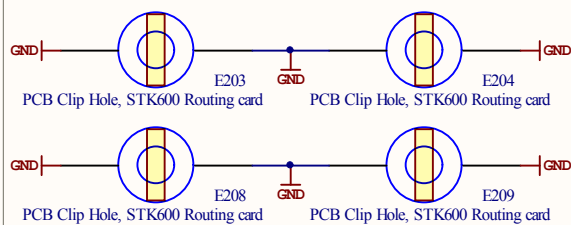
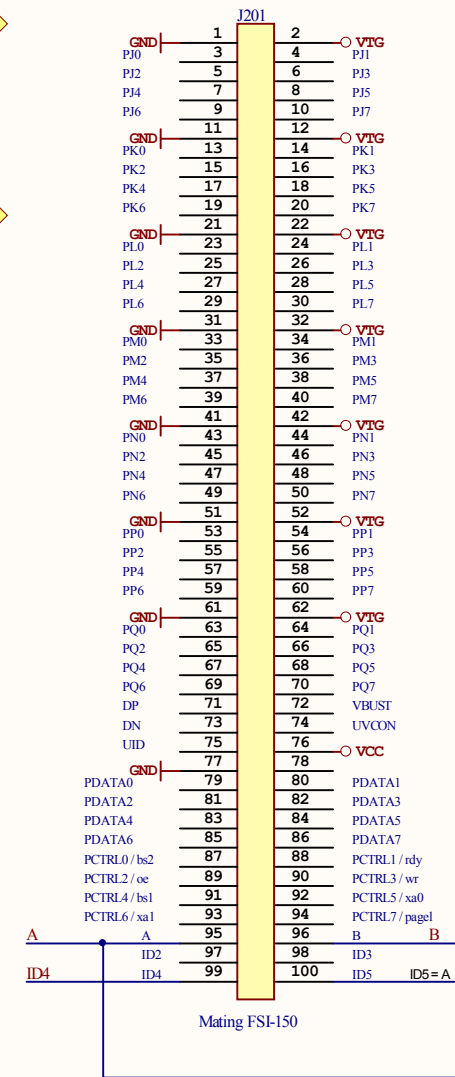
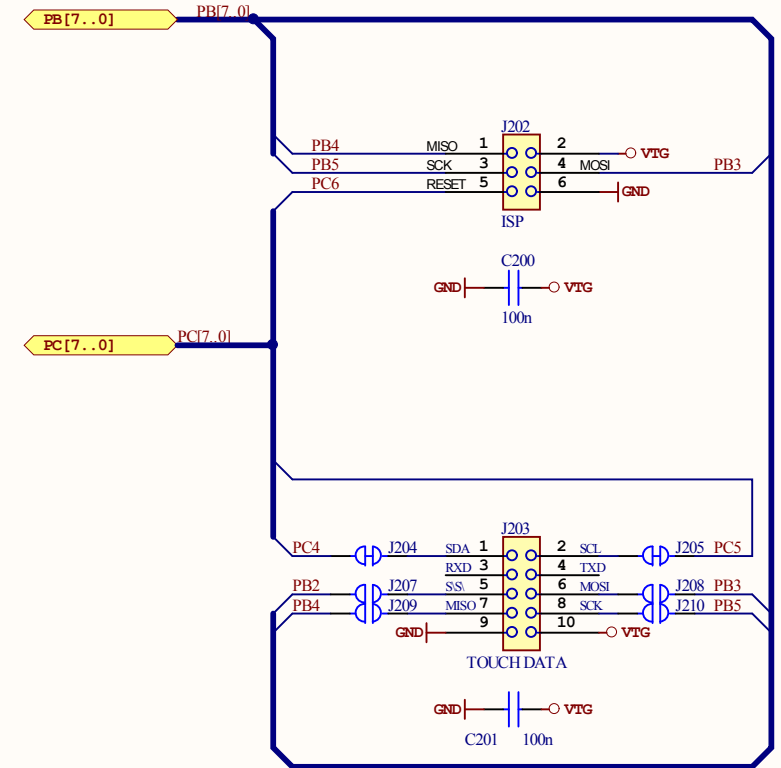
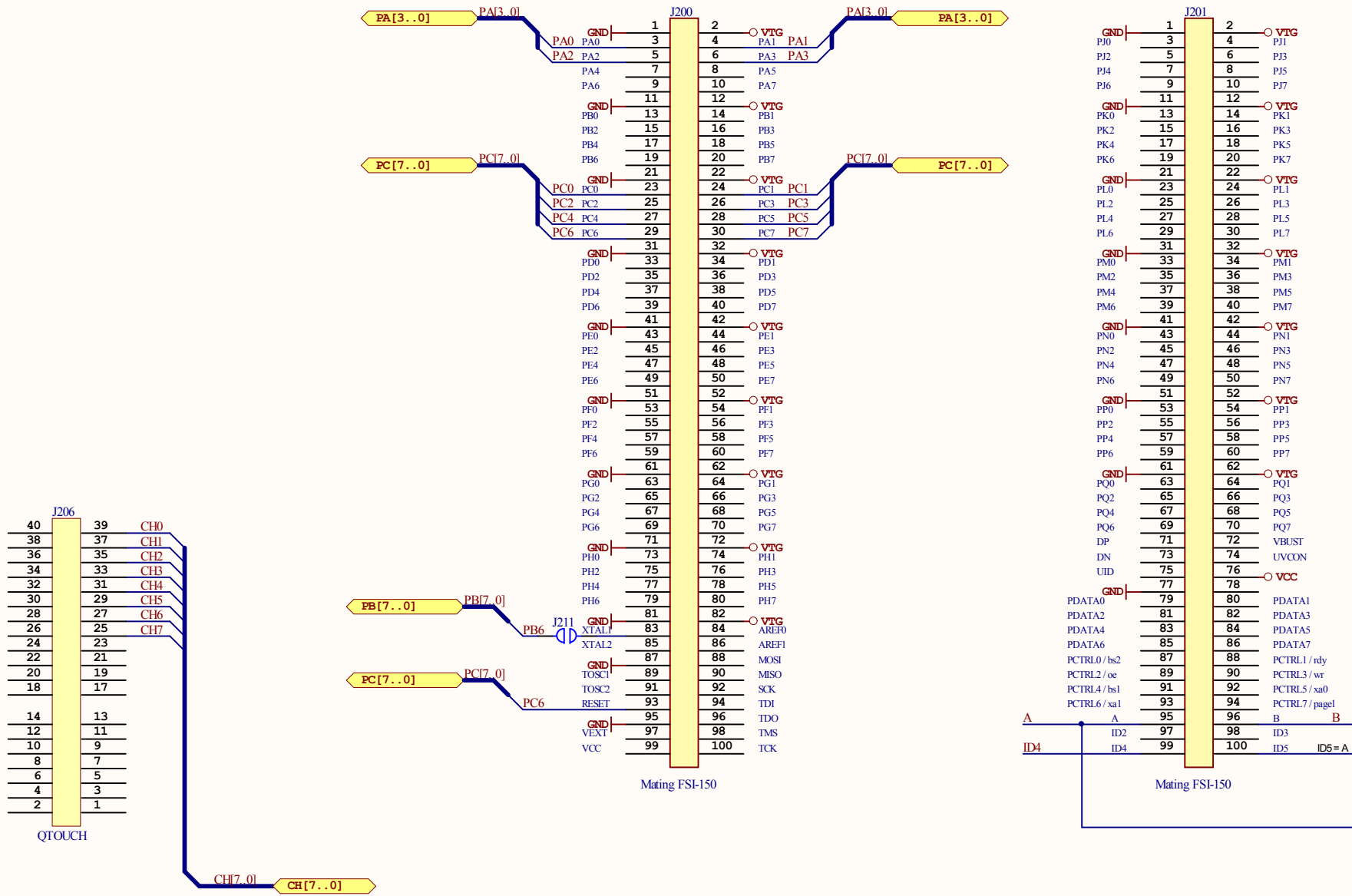
QT600 MCU card



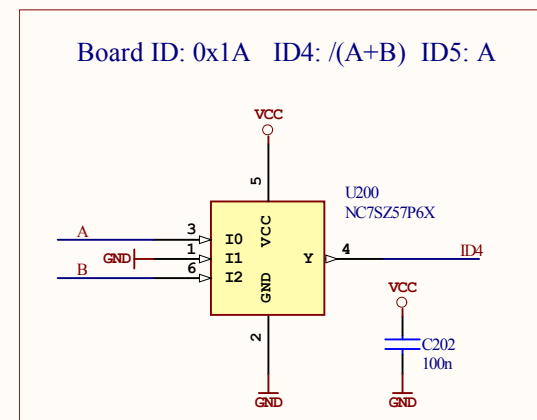
ATMEL Norway	*	ATMEL	
Vestre Rosten 79	*		
N-7075 TILLER	*		
NORWAY			
Date:	29.06.2009	11:33:10	PAGE: 1 of 2
Document number:	*		Revision: 1
TITLE: QT600-ATTINY88-QT8			
MCU.SchDoc			

QT600-ATTINY88-QT8

QT600 MCU card



Z200
Product number/revision
Serial number
Label PCB A



ATMEL Norway	*			
Vestre Rosten 79	*			
N-7075 TILLER	*			
NORWAY				
Date:	29.06.2009	11:33:10	PAGE: 2 of 2	
Document number:	*		Revision: 1	
TITLE: QT600-ATTINY88-QT8				
Connectors.SchDoc				