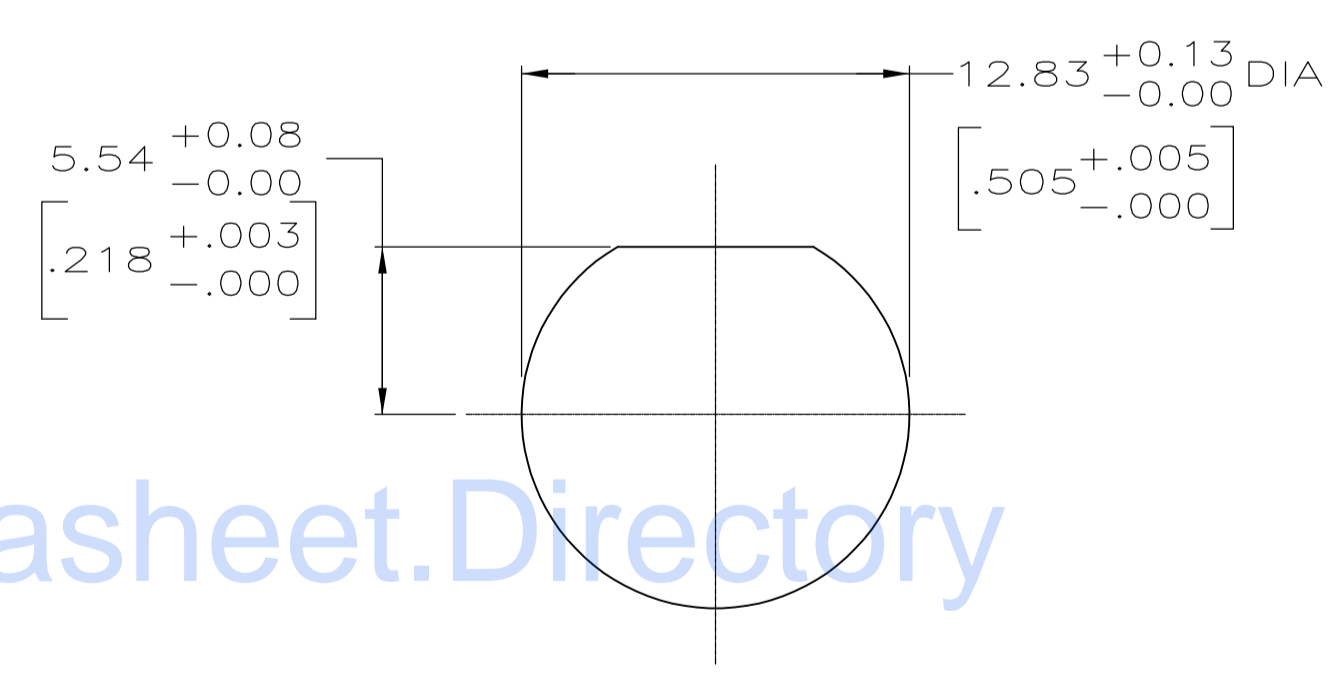
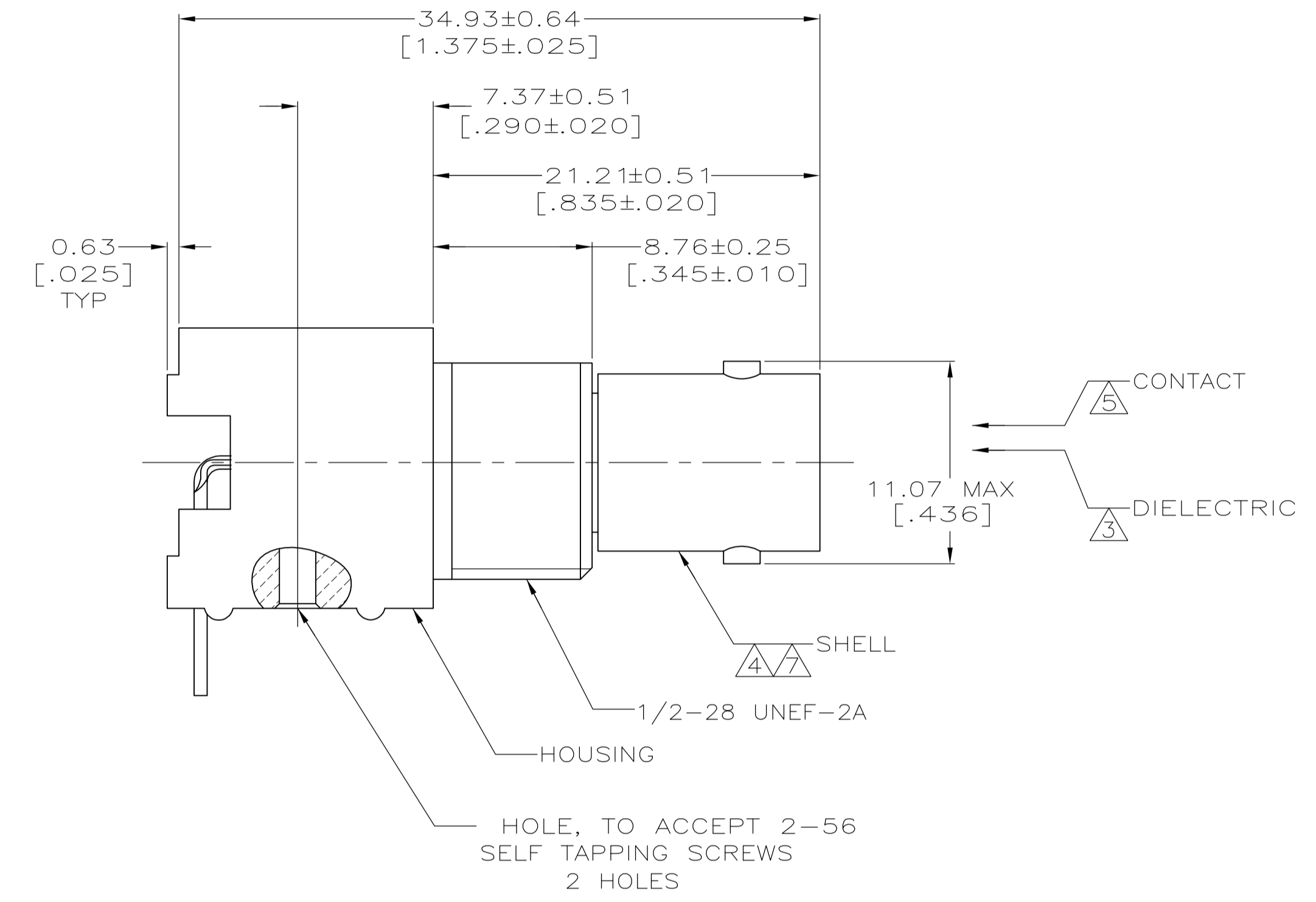
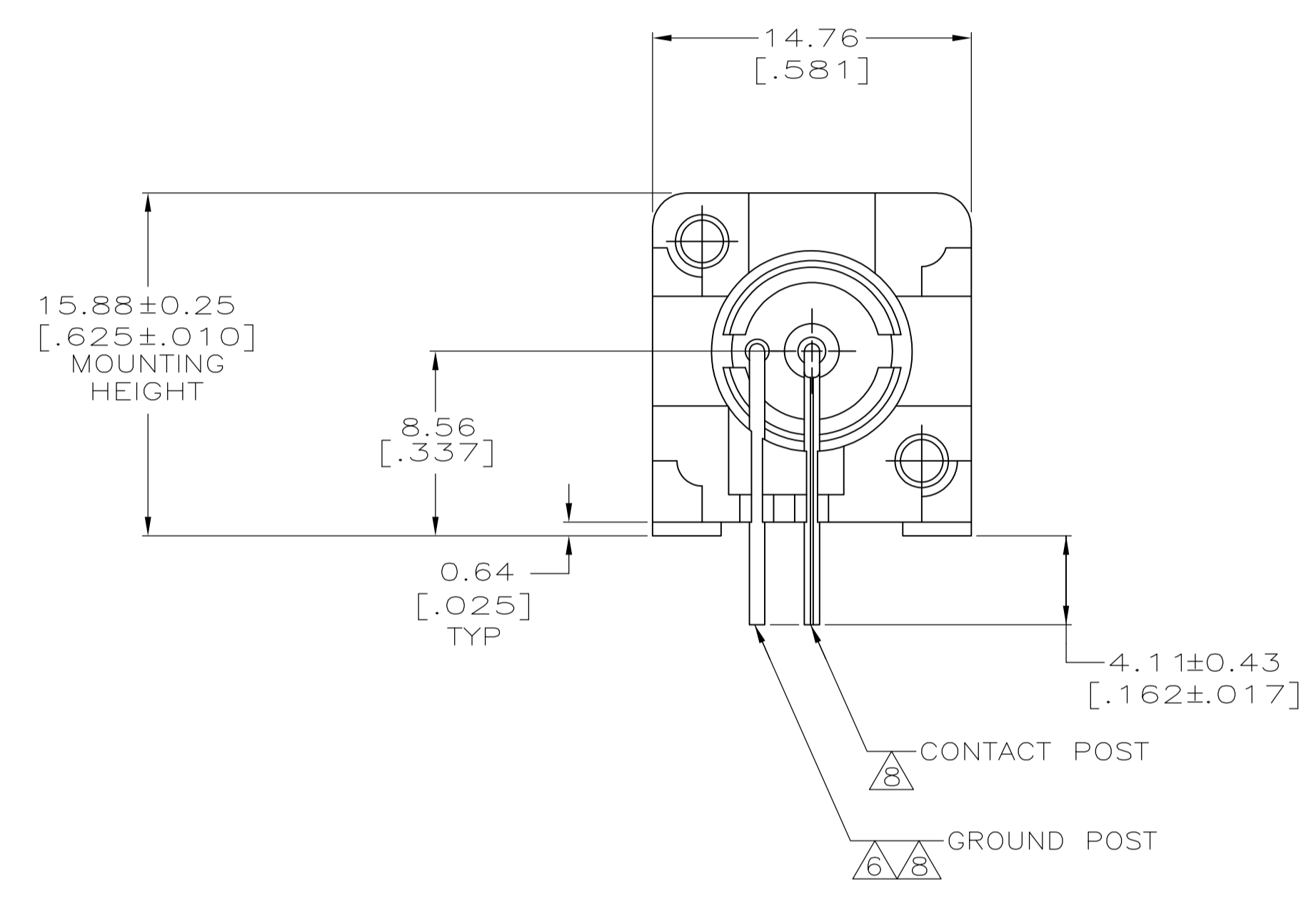
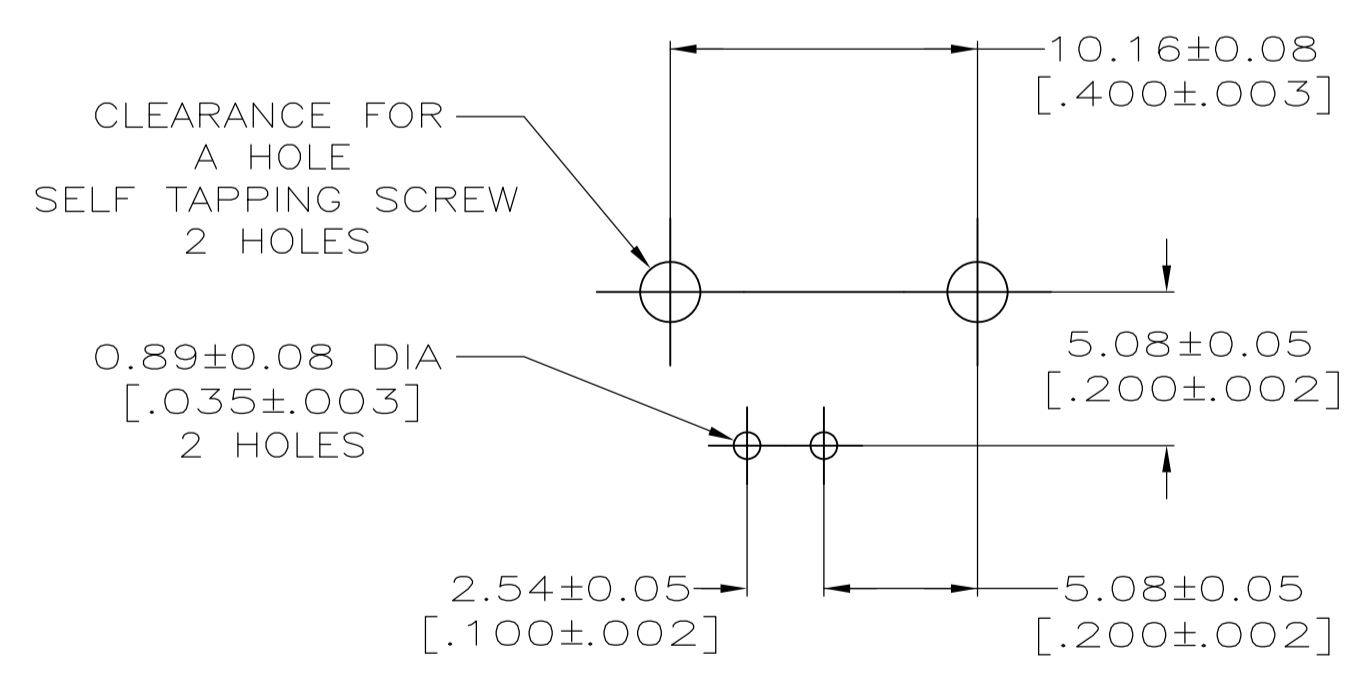


LOC		DIST		REVISIONS			
P	LTR	DESCRIPTION	DATE	DWN	APVD		
AJ	16	B	REVISED PER ECO 08-009474	7/22/2008	DW	JL	



RECOMMENDED PANEL CUTOUT



PCB CONFIGURATION

- 1 POLYESTER PBT PER MIL-M-24519, TYPE GPT-15F, UL94V-O RATED, COLOR:NATURAL
- 2 POLYESTER PBT PER MIL-M-24519, TYPE GPT-15F, UL94V-O RATED, COLOR:BLACK
- 3 POLYMETHYLPENTENE, GENERAL PURPOSE.
- 4 ZINC PER QQ-Z-363.
- 5 PHOSPHOR BRONZE PER QQ-B-750.
- 6 BRASS PER ASTM-B-453.
- 7 NICKEL PLATE PER QQ-N-290, 3.81 μm [.000150] MINIMUM THICK.
- 8 TIN PLATE PER ASTM-B-545, 3.81 μm [.000150] MINIMUM THICK.
- 9 GOLD PLATE PER MIL-G-45204, 0.76 μm [.000030] MINIMUM THICK.
- 10. SEE INSTRUCTION SHEET 408-2769.

9	2	5226990-6
9	1	5226990-3
8	1	5226990-1
CONTACT PLATING	HOUSING MATERIAL	PART NUMBER

THIS DRAWING IS A CONTROLLED DOCUMENT.		DIN L VARELA - DOCKS 20APR2005	Tyco Electronics Corporation Harrisburg, Pa 17105-3608	
DIMENSIONS: mm[INCHES]		CHK J. HAVENER 20APR2005	APVD S. BURKHOLDER 20APR2005	
TOLERANCES UNLESS OTHERWISE SPECIFIED:		NAME: JACK, PANEL, RIGHT ANGLE, 50 OHM, PCB, SERIES BNC		
0. PLC ± -	1. PLC ± -	PRODUCT SPEC: 108-12078		
2. PLC ± 0.20 [.008]	3. PLC ± -	APPLICATION SPEC: -		
4. PLC ± -	ANGLES ± -	SIZE: A1	CAGE CODE: 00779	DRAWING NO: 5226990
MATERIAL 1 THRU 6	FINISH 7 THRU 9	WEIGHT: -	SCALE: 4:1	SHEET 1 OF 1
CUSTOMER DRAWING		REV B		