

# 15 Small Signal Diodes

## Explanation of Device Coding

Devices prefixed "1N" are JEDEC (Joint Electronic Device Engineering Council) registered devices. These type numbers are recognised in the USA.

Devices prefixed "1S" are Texas Instruments in-house numbers. Devices prefixed "BA", "BAV", "BAW", "BAX", "BAY", "BY" are Pro-Electron registered devices. These type numbers are recognised in Europe.

"F", "Y" and "Z" prefixes denote Texas Instruments special devices.

Texas Instruments diodes are symbolised by colour bands (or by digits to special order).

In the case of colour banding the standard colour code is used to denote type number and the cathode band is three times the width of the other bands.

Several very popular device types are also available with single band marking designated by an "F250-" prefix, e.g. "F250-1N914".

## Diode Packaging

Unless specified otherwise diodes are supplied packed in boxes of 1000 devices if DO-35, 500 devices if DO-7.

To obtain devices mounted on bandoliers (reel-pack) a suffix "-TA" or "-TB" should be added to the part number.

"-TA" devices are supplied on reels containing 20000 diodes. "-TB" devices are supplied on reels containing 10000 diodes with paper interleaving, e.g. "1N4148-TB".

Standard reel-pack specification is available on request from Texas Instruments, Manton Lane, Bedford.

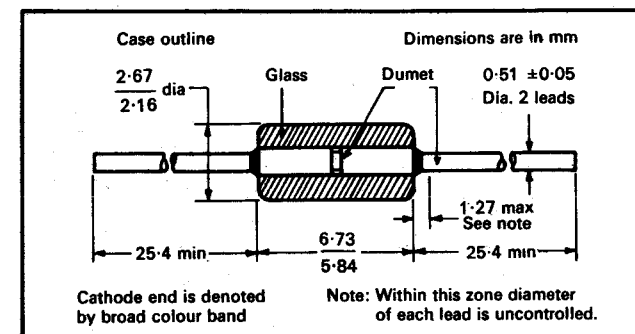
## Explanation of Symbols

- VR Max reverse voltage
- IO Ave rectified forward current
- VF Forward voltage drop
- trr Reverse recovery time
- CO Capacitance at VR = 0V, f = 1MHz

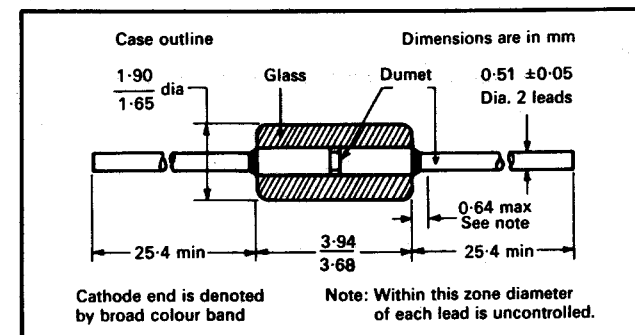
## DO-35 Silicon Epitaxial High Speed Switching Diodes

Device Type	VR V	IO mA	VF @ IF V	IF mA	trr @ IF/nS	IF/IR/Ir mA	CO pF
BA128	50	100	1	50	5	30/30/1	5
BA130	25	75	1	10	4	10/10/1	2
BA154	50	75	1.5	30	120	10/10/1	4
BA165	150	100	1.5	50	50	10/10/1	10
BA219	100	100	1.5	100	120	30/30/3	5
BA220	10	200	0.95	100	8	10/10/1	2.5
BA221	30	200	1.05	200	8	10/10/1	2.5
BA222	50	75	1.1	50	8	10/10/1	2
BAV10	80	300	1.25	500	6	400/400/40	2.5
BAV17	25	200	1	100	50	30/30/3	1.5 typ
BAV18	60	200	1	100	50	30/30/3	1.5 typ
BAV19	120	200	1	100	50	30/30/3	1.5 typ
BAV20	180	200	1	100	50	30/30/3	1.5 typ
BAV21	250	200	1	100	50	30/30/3	1.5 typ
BAW62	75	100	1	100	4	10/10/1	4
BAW75	35	300	1	30	4	10/10/1	4
BAW76	75	300	1	100	4	10/10/1	4
BAX13	50	75	1.53	75	6	10/60/1	3
BAX14	20	300	0.6	1	50	30/30/3	35
BAX16	150	200	1.5	200	120	30/30/1	10
BAX17	200	200	1.2	200	120	30/30/1	10
BAY31	15	100	1	30	10	10/10/1	6
BAY36	30	100	1	30	10	10/10/1	6
BAY71	35	75	1	20	4	10/10/1	2
BAY72	100	225	1	100	50	30/30/1	5
BAY74	50	200	1.1	300	6	10/10/1	3
IN914	75	75	1	10	8	10/10/1	4
IN914A	75	75	1	20	8	10/10/1	4
IN914B	75	75	1	100	8	10/10/1	4
IN915	50	75	1	50	10	10/10/1	4
IN916	75	75	1	10	8	10/10/1	2
IN916A	75	75	1	20	8	10/10/1	2
IN916B	75	75	1	30	8	10/10/1	2
IN917	38	50	1	10	3	10/10/1	2.5
IN4148	75	75	1	10	8	10/10/1	4
IN4149	75	75	1	10	8	10/10/1	2
IN4150	50	225	1	200	4	10/10/1	2.5
IN4151	75	150	1	50	4	10/10/1	2
IN4152	40	150	0.88	20	4	10/10/1	2
IN4153	75	150	0.88	20	4	10/10/1	2
IN4154	35	150	1	30	4	10/10/1	4
IN4444	50	75	1	100	7	10/10/1	2
IN4446	75	75	1	20	8	10/10/1	4
IN4447	75	75	1	20	8	10/10/1	2
IN4448	75	75	1	100	8	10/10/1	4
IN4449	75	75	1	30	8	10/10/1	2
IN4454	75	75	1	10	4	10/10/1	2
IN4606	70	350	1.1	250	4	10/10/1	2.5
IN4607	70	350	1.1	400	10	10/10/1	4
IN4608	70	350	1.1	500	10	10/10/1	4
IS44	40	75	1	10	8	10/10/1	4
IS961	70	225	1.3	350	25	200/200/20	4
IS962	90	225	1.3	500	6	200/200/20	3
IS963	70	225	1	200	10	200/200/20	4
IS960	50	150	0.98	50	10	100/100/10	4
IS961	100	150	1	100	6	100/100/10	1.5

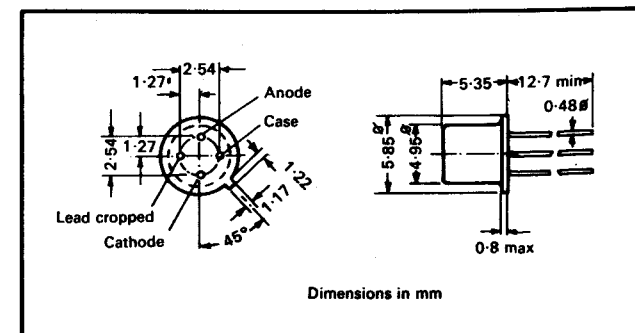
## Case Outlines



## DO-7



## DO-35



## TO-72