

Wire wrapping type female connector with brace for panel
MR-()SRFW()+

For panel

Wire wrapping

With brace

RoHS

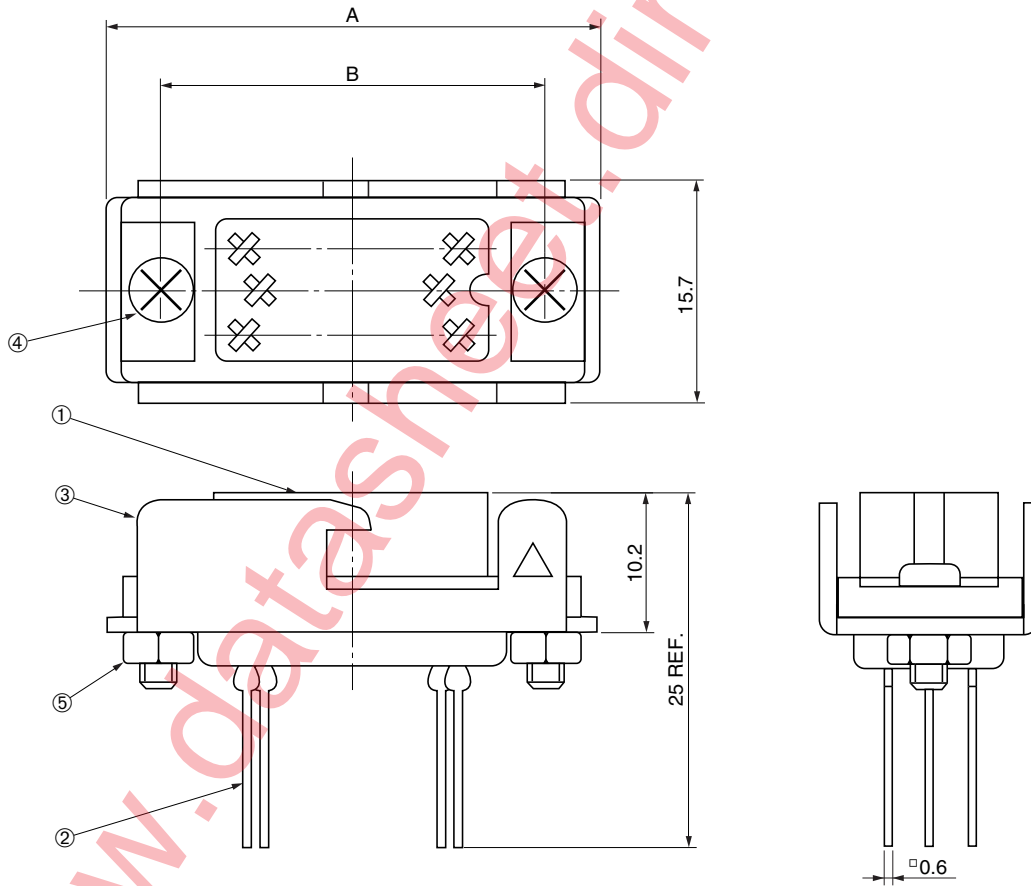


● Configuration of product Part No.

MR- () SR FW ()+

① ② ③ ④ ⑤

- ① Series name
- ② No. of contacts: 16, 20, 25, 34 or 50
- ③ With brace
- ④ Type of contact: Wire wrapping, female
- ⑤ Contact plating
None: Silver plate
G : Gold plate



● Components

①	Insulator
②	Contact
③	Brace (Appended)
④	Small-sized Phillips head screws (Appended)
⑤	Hexagon nuts (Appended)

● Dimensions

Part No.	A	B
MR-16SRFW()+	33.0	25.2
MR-20SRFW()+		27.8
MR-25SRFW()+	40.0	33.0
MR-34SRFW()+	45.0	40.8
MR-50SRFW()+	67.0	56.4

Mating case: MR-()NS+

Mating connectors with case: MR-()NSM()+, etc.