

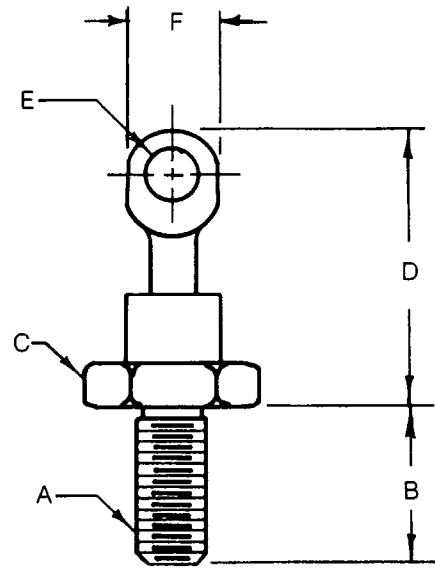
Silicon Power Rectifiers

6 AMP - DO4

JEDEC Numbers	Peak Reverse Voltage
1N1341, 1N1341A, 1N1341B, 1N1581, 1N1612, 1N2228, 1N2491	50
1N1342, 1N1342A, 1N1342B, 1N1582, 1N1613, 1N2492	100
1N1343, 1N1343A, 1N1343B	150
1N1124, 1N1344, 1N1344A, 1N1344B, 1N1583, 1N1614, 1N2230, 1N2493	200
	250
1N1125, 1N1345, 1N1345A, 1N1345B, 1N1584, 1N2232, 1N2494	300
	350
1N1126, 1N1346, 1N1346A, 1N1346B, 1N1585, 1N1615, 1N2234, 1N2495	400
	450
1N1127, 1N1347, 1N1347A, 1N1347B, 1N1586, 1N2236, 1N2496	500
1N1128, 1N1348, 1N1348A, 1N1348B, 1N1587, 1N1616, 1N2238, 1N2497	600
1N2240	700
	800

12 AMP - DO4

JEDEC Numbers	Peak Reverse Voltage
1N1199, 1N1199A, 1N2246, 1N3615	50
1N1200, 1N1200A, 1N2248, 1N3616	100
1N1201, 1N1201A, 1N3617	150
1N1202, 1N1202A, 1N2250, 1N2784, 1N3618, 1N3964, 1N4506	200
	250
1N1203, 1N1203A, 1N2252, 1N3619	300
	350
1N1204, 1N1204A, 1N2254, 1N2785, 1N3620, 1N3965, 1N4507	400
	450
1N1205, 1N1205A, 1N2256, 1N3621	500
1N1206, 1N1206A, 1N2258, 1N3622, 1N3966, 1N4508	600
	700
1N3670, 1N3670A	700
1N2260, 1N3623, 1N3671, 1N3671A, 1N3967, 1N4509	800
1N3672, 1N3672A	900
	1000
1N2262, 1N3624, 1N3673, 1N3673A, 1N4510	1100
1N4511, 1N5331	1200



Dim.	Inches		Millimeters		Notes
	Minimum	Maximum	Minimum	Maximum	
A	—	—	—	—	1
B	.44	.47	11.11	11.89	
C	.42	.44	10.77	11.10	2
D	—	.72	—	18.26	
E	.09	—	1.52	—	
F	—	.20	—	5.16	

Note 1:
No. 10-32 UNF-2A

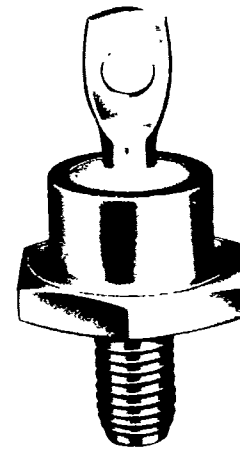
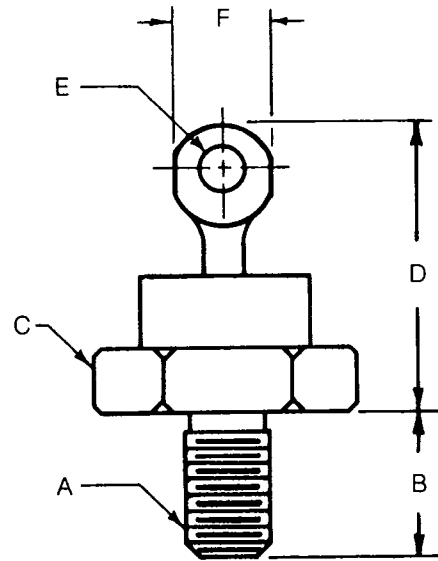
Note 2:
Hex. Across Flats

Silicon Power Rectifiers

18 AMP - DO5

JEDEC Numbers	Peak Reverse Voltage
1N248, 1N1191, 1N1191A, 1N2793	50
1N249, 1N1192, 1N1192A, 1N2794	100
1N1193, 1N1193A, 1N2021, 1N2795	150
1N250, 1N1194, 1N1194A, 1N2796	200
1N2022, 1N2797	250
1N1195, 1N1195A, 1N2023, 1N2798	300
1N2024, 1N2799	350
1N1196, 1N1196A, 1N2025, 1N2800	400
	450
1N1197, 1N1197A	500
1N1198, 1N1198A	600

JEDEC Numbers	Peak Reverse Voltage
1N248A, 1N248B, 1N248C, 1N1301, 1N1434, 1N2154, 1N3208	50
1N249A, 1N249B, 1N249C, 1N1302, 1N1435, 1N2155, 1N3209	100
	150
1N250A, 1N250B, 1N250C, 1N1304, 1N1436, 1N2156, 1N3210	200
	250
1N1306, 1N2157, 1N3211	300
	350
1N1437, 1N2158, 1N3212	400
	450
1N2159	500
1N1438, 1N2160	600



Dim	Inches		Millimeters		Notes
	Minimum	Maximum	Minimum	Maximum	
A					1
B	.44	.468	11.11	11.89	
C	.67	.69	16.94	17.46	2
D	—	1.00	—	25.40	
E	.15	.19	3.81	4.69	
F	—	.28	—	7.14	

Note 1:
1/4"-28 UNF-2A

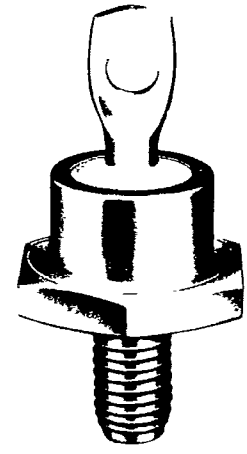
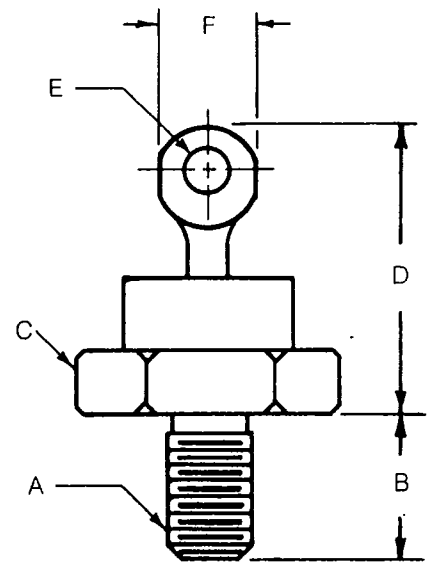
Note 2:
Across Flats

Silicon Power Rectifiers

35 AMP - DO 5

JEDEC Numbers	Peak Reverse Voltage
1N1183, 1N2458	50
1N1184, 1N2459	100
1N1185, 1N2460	150
1N1186, 1N2461, 1N2788, 1N3968, 1N4525	200
1N2462	250
1N1187, 1N2282, 1N2463	300
1N2464	350
1N1188, 1N2283, 1N2465, 1N2789, 1N3969, 1N4526	400
	450
1N1189, 1N2284, 1N2466	500
1N1190, 1N2285, 1N2467, 1N3970, 1N4527	600
1N3765	700
1N2286, 1N3766, 1N3971, 1N4528	800
1N3767	900
1N2287, 1N3768, 1N4529	1000
	1100
1N2288, 1N4530, 1N5332	1200

JEDEC Numbers	Peak Reverse Voltage
1N1183A, 1N2128	50
1N1184A, 1N2129	100
1N1185A, 1N2130	150
1N1186A, 1N2131	200
1N2132	250
1N1187A, 1N2133	300
1N2134	350
1N1188A, 1N2135	400
1N2136	450
1N1189A, 1N2137	500
1N1190A, 1N2138	600



Dim	Inches		Millimeters		Notes
	Minimum	Maximum	Minimum	Maximum	
A					1
B	44	47	11.11	11.89	
C	67	69	16.94	17.46	2
D	—	1.00	—	25.40	
E	15	18	3.81	4.69	
F	—	28	—	7.14	

Note 1:
1/4"-28 UNF-2A

Note 2:
Across Flats

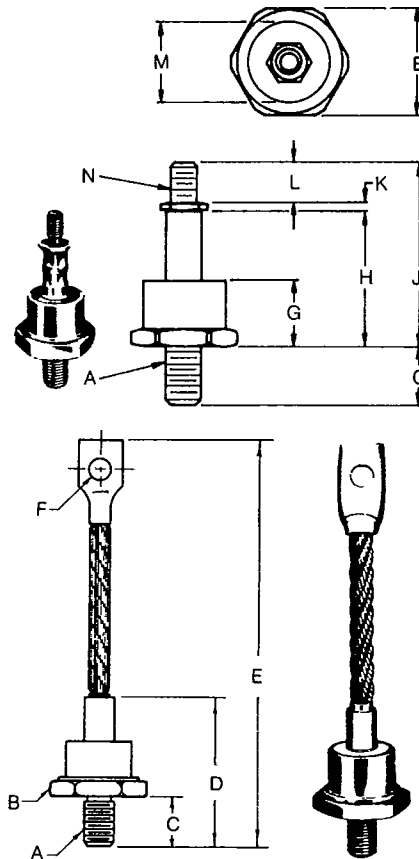
Silicon Power Rectifiers

100 AMP - DO 8

JEDEC Numbers	Peak Reverse Voltage
1N411B, 1N1396, 1N2426, 1N2436, 1N3139	50
1N412B, 1N1397, 1N2427, 1N2437, 1N3140, 1N3288, 1N4878	100
1N1398, 1N2428, 1N2438, 1N3141	150
1N413B, 1N1399, 1N2429, 1N2439, 1N3142, 1N3289, 1N3972	200
1N2430, 1N2440	250
1N1400, 1N2431, 1N2441, 1N3290	300
1N2432, 1N2442	350
1N1401, 1N2433, 1N2443, 1N3291, 1N3973	400
	450
1N1402, 1N2434, 1N2444, 1N3292	500
1N1403, 1N2435, 1N2445, 1N3293, 1N3974	600
	700
1N3294, 1N3975	800
	900
1N3295	1000
	1100
1N3296	1200

150 AMP - DO 8

JEDEC Numbers	Peak Reverse Voltage
	50
1N3288A, 1N4587	100
	150
1N3289A, 1N4588	200
	250
1N3290A, 1N4589	300
	350
1N3291A, 1N4590	400
	450
1N3292A, 1N4591	500
1N3293A, 1N4592	600
	700
1N3294A, 1N4593	800
	900
1N3295A, 1N4594	1000
	1100
1N3296A, 1N4595	1200
	1300
1N4596	1400



Dim	Inches		Millimeters		Notes
	Minimum	Maximum	Minimum	Maximum	
A					1
B	1.05	1.06	26.72	26.99	2
C	.61	.63	15.37	15.88	
D	1.99	2.13	50.55	53.98	
E	5.10	5.38	129.57	136.53	
F	.26	.28	6.63	7.14	Dia.

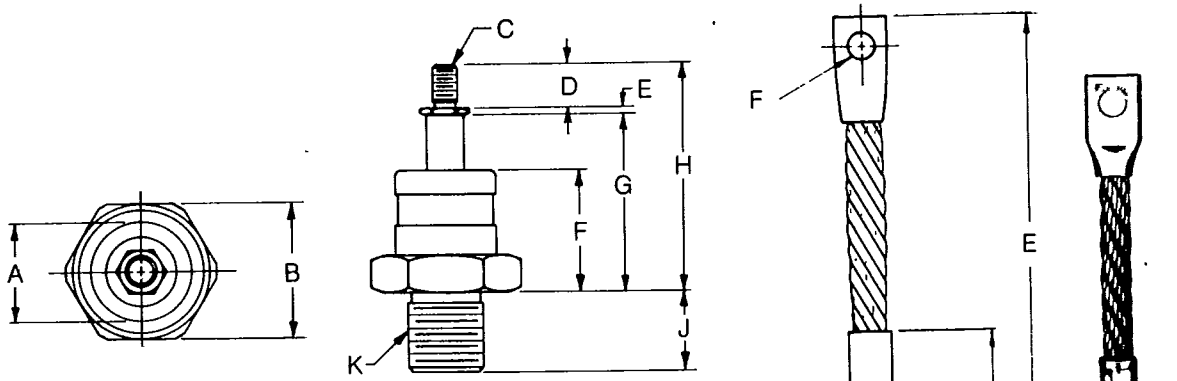
Note 1:
3/8"-24 UNF-2A

Note 2:
Hex. Across Flats

Dim.	Inches		Millimeters		Notes
	Minimum	Maximum	Minimum	Maximum	
G	.744	.750	18.90	19.05	
H	1.38	1.50	35.05	38.1	
J	1.90	2.00	48.26	50.8	
K	—	.062	—	1.57	
L	.430	.437	10.92	11.10	
M	.806	.812	20.47	20.6	
N					3

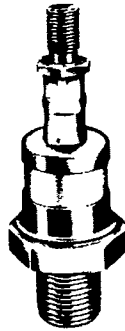
Note 3:
1/4"—28 UNF-2A

Silicon Power Rectifiers



250 AMP - DO 9

Catalog Number		Peak Reverse Voltage
Polarity		
Standard	Reverse	
IN4044	IN4044R	50
IN4045	IN4045R	100
IN4046	IN4046R	150
IN4047	IN4047R	200
IN4048	IN4048R	250
IN4049	IN4049R	300
IN4050	IN4050R	400
IN4051	IN4051R	500
IN4052	IN4052R	600
IN4053	IN4053R	700
IN4054	IN4054R	800
IN4055	IN4055R	900
IN4056	IN4056R	1000



275 AMP - DO 9

JEDEC Numbers	Peak Reverse Voltage
1N2054, 1N3161	50
1N2055, 1N3162, 1N3735, 1N4880	100
1N2056, 1N3163	150
1N2057, 1N3164, 1N3736, 1N3976	200
1N2058, 1N3165	250
1N2059, 1N3166, 1N3737	300
1N2060, 1N3167	350
1N2061, 1N3168, 1N3738, 1N3977	400
1N2062	450
1N2063, 1N3169, 1N3739	500
1N2064, 1N3170, 1N3740, 1N3978	600
1N2065, 1N3171, 1N3171A	700
1N2066, 1N3172, 1N3172A, 1N3741, 1N3979	800
1N2067, 1N3173, 1N3173A	900
1N2068, 1N3174, 1N3174A, 1N3742	1000
	1100
1N3743	1200

Dim	Inches		Millimeters		Notes
	Minimum	Maximum	Minimum	Maximum	
A	.96	1.0	24.4	25.4	
B	—	1.24	—	31.5	
C	—	—	—	—	1
D	.625	.630	15.9	16.0	
E	—	.125	—	3.18	
F	1.38	1.41	35.1	35.8	
G	2.21	2.25	56.1	57.2	
H	2.96	3.00	75.2	76.2	
I	.807	.812	20.5	20.6	
K	—	—	—	—	2

Note 1:
3/8-24 UNF-2A

Note 2:
3/4-16 UNF-2A

Dim.	Inches		Millimeters		Notes
	Minimum	Maximum	Minimum	Maximum	
A	—	—	—	—	1
B	1.24	1.25	31.49	31.75	2
C	.78	.81	19.86	20.64	
D	2.91	2.94	73.86	74.61	
E	6.40	6.75	162.56	171.45	
F	.33	.34	8.43	8.73	Dia.

Note 1:
3/4"-16 UNF-2A

Note 2:
Hex. Across Flats