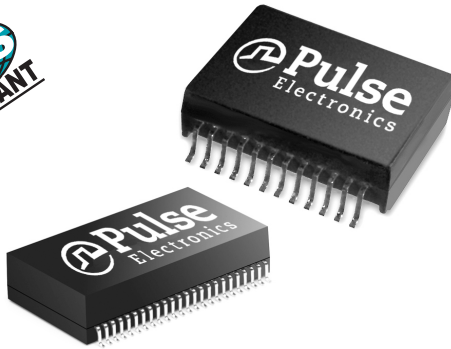


1000BASE-T MAGNETICS MODULE

Designed to Support 1:1 Turns Ratio Transceivers



- RoHS peak reflow temperature rating 245°C
- Meets IEEE 802.3 specification

Electrical Specifications @ 25°C — Operating Temperature 0°C to 70°C

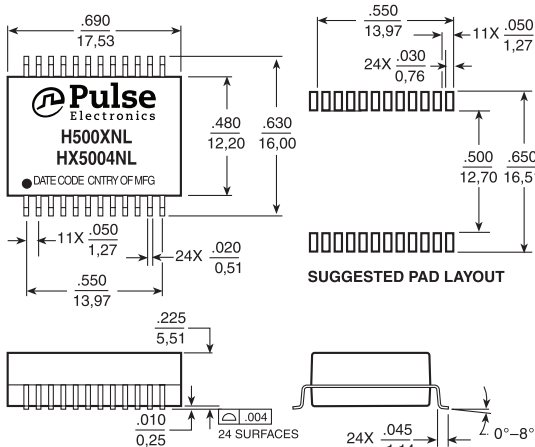
RoHS Compliant Part Number	Number of Ports	Insertion Loss (dB MAX)	Return Loss (dB MIN)					Differential to Common Mode Rejection (dB MIN)			Crosstalk (dB MIN)			Hipot (Vrms)
			1-100 MHz	1-30 MHz	40 MHz	50 MHz	60-80 MHz	100 MHz	30 MHz	60 MHz	100 MHz	30 MHz	60 MHz	
H5004NL 3d	1	1	-18	-18	-16	-12	-10	-43	-37	-33	-43	-37	-33	1500
HX5004NL 1, 3d	1	1	-18	-18	-16	-12	-10	-43	-37	-33	-43	-37	-33	1500
H5007NL 3d	1	1	-18	-18	-16	-12	-10	-43	-37	-33	-43	-37	-33	1500
H5008NL 3a, 4	1	1	-18	-18	-16	-12	-10	-43	-37	-33	-43	-37	-33	1500
HX5008NL 1, 3a, 4	1	1	-18	-18	-16	-12	-10	-43	-37	-33	-43	-37	-33	1500
H5009NL 3a, 4	1	1	-18	-18	-16	-12	-10	-43	-37	-33	-43	-37	-33	1500
H5012NL 3a, 4	2	1.4	-18	-16	-14.4	-12	-10	-45	-40	-35	-43.5	-37.5	-33	1500
H5014NL 3a, 4	2	1.4	-18	-16	-14.4	-12	-10	-45	-40	-35	-43.5	-37.5	-33	1500
HX5014NL 1, 3a, 4	2	1.4	-18	-16	-14.4	-12	-10	-45	-40	-35	-43.5	-37.5	-33	1500
H5015NL 3a, 4	1	1	-18	-18	-16	-12	-10	-43	-37	-33	-43	-37	-33	1500
H5020NL 3a, 4	2	1	-18	-16	-14.4	-12	-10	-40	-35	-30	-40	-33	-28	1500
HX5020NL 1, 3a, 4	2	1.4	-18	-16	-14.4	-12	-10	-40	-35	-30	-40	-33	-28	1500
H5089NL 3a, 4	2	1.4	-18	-16	-14.4	-12	-10	-45	-40	-35	-43.5	-37.5	-33	1500

- HX = extended temperature version -40°C to +85°C
- For Tape & Reel packaging, add a "T" suffix at the end of the part number, e.g. H5007NLT.
- MSL = Moisture Sensitivity Level: a = 1, b = 2, c = 3, d = 4
- Not for sale in the U.S.

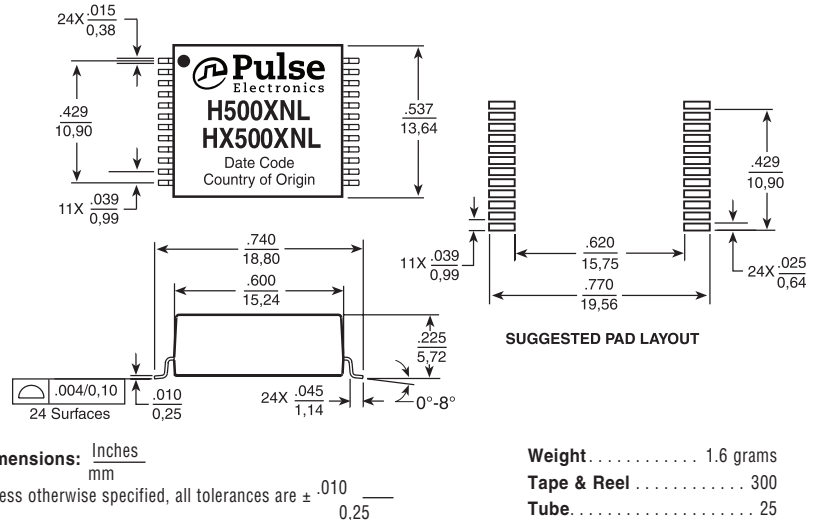
Mechanicals

H5004NL, HX5004NL*, H5007NL*

H5004NL, H5007NL, and HX5004NL are footprint-compatible to 10/100BASE-TX part H1267.

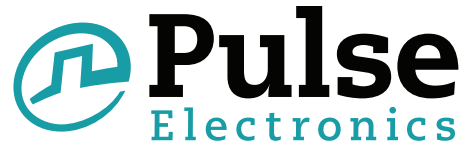


H5008NL, H5009NL, HX5008NL, H5089NL



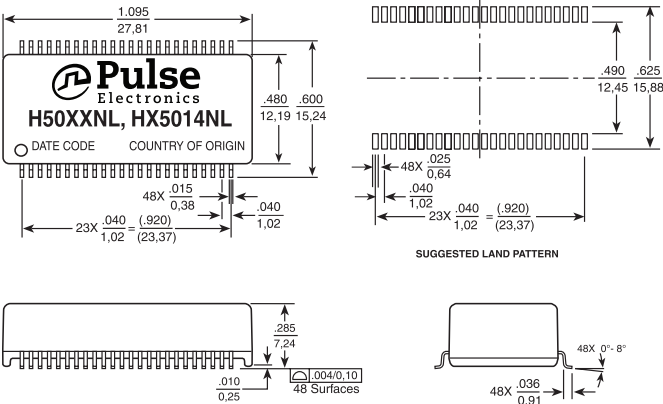
1000BASE-T MAGNETICS MODULE

Designed to Support 1:1 Turns Ratio Transceivers



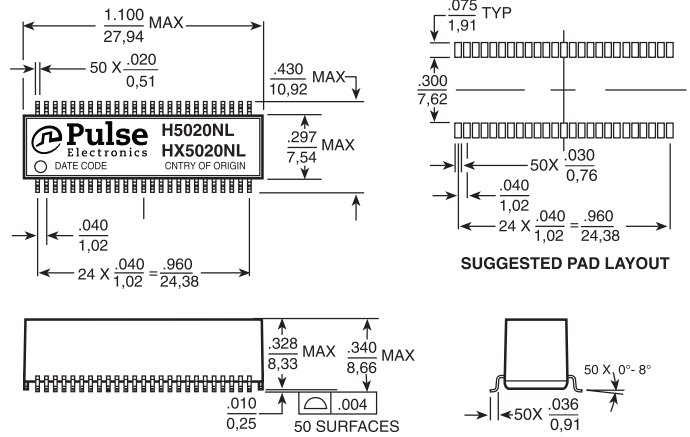
Mechanicals (continued)

H5012NL, H5014NL, HX5014NL, H5089NL



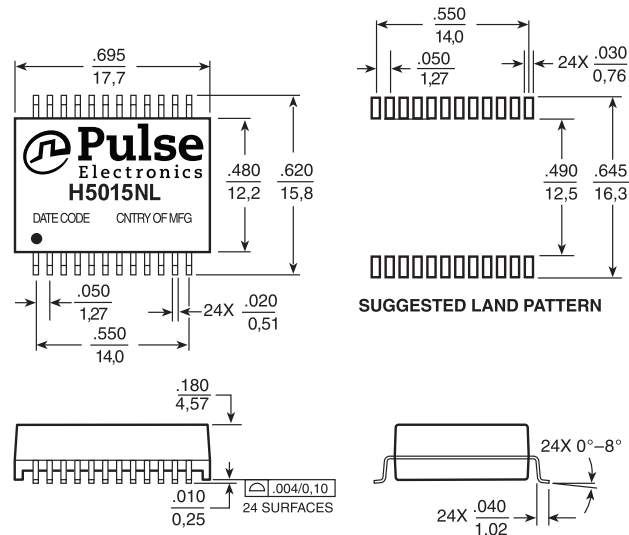
Weight 4.0 grams
Tape & Reel 250/reel
Tube 15/tube

H5020NL, HX5020NL



Weight 1.6 grams
Tape & Reel 250/reel
Tube 15/tube

H5015NL

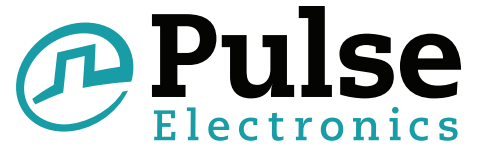


Weight 1.5 grams
Tape & Reel 400/reel

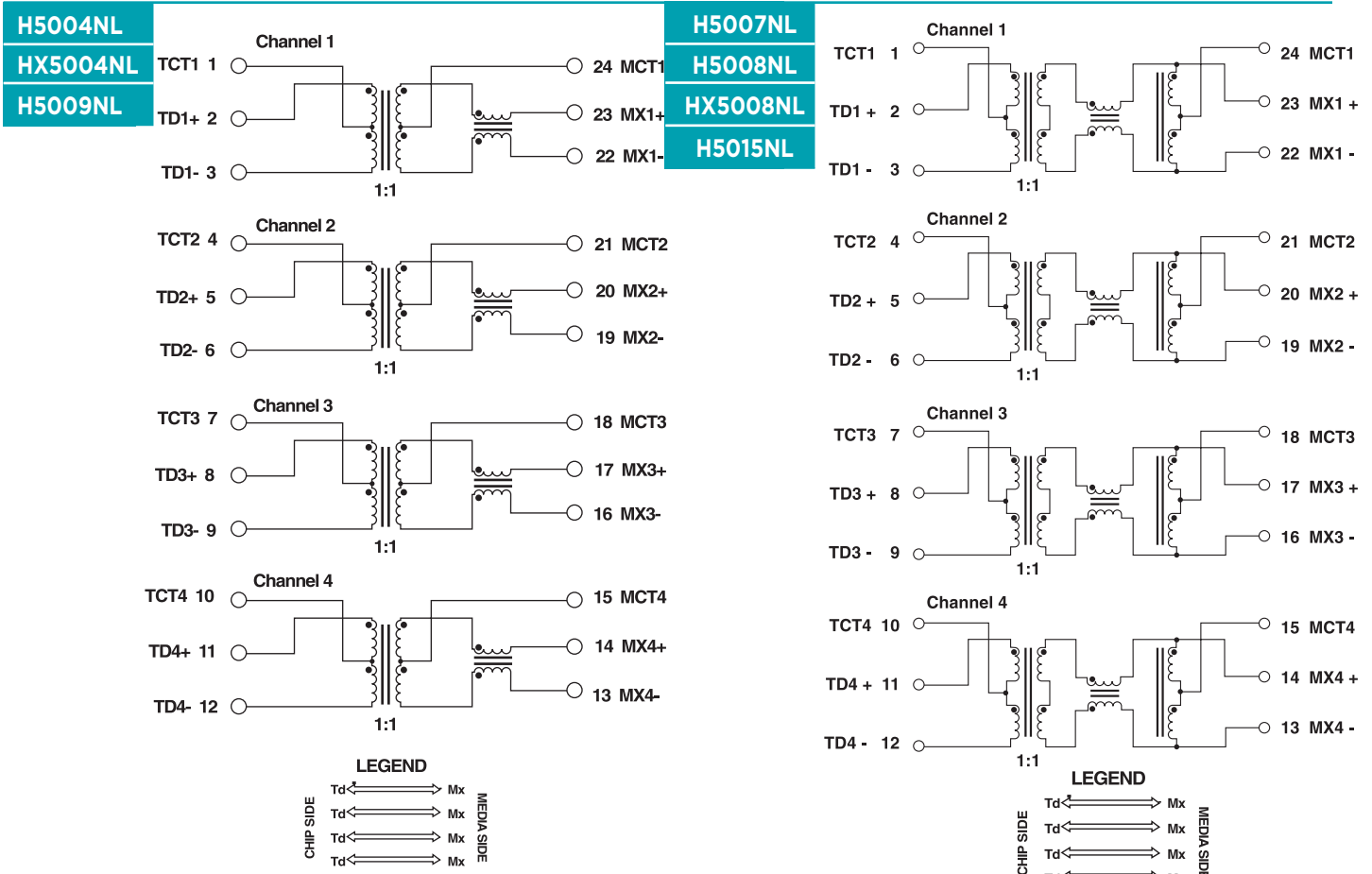
Dimensions: Inches _____
mm _____
Unless otherwise specified, all tolerances are ± .005
0,13

1000BASE-T MAGNETICS MODULE

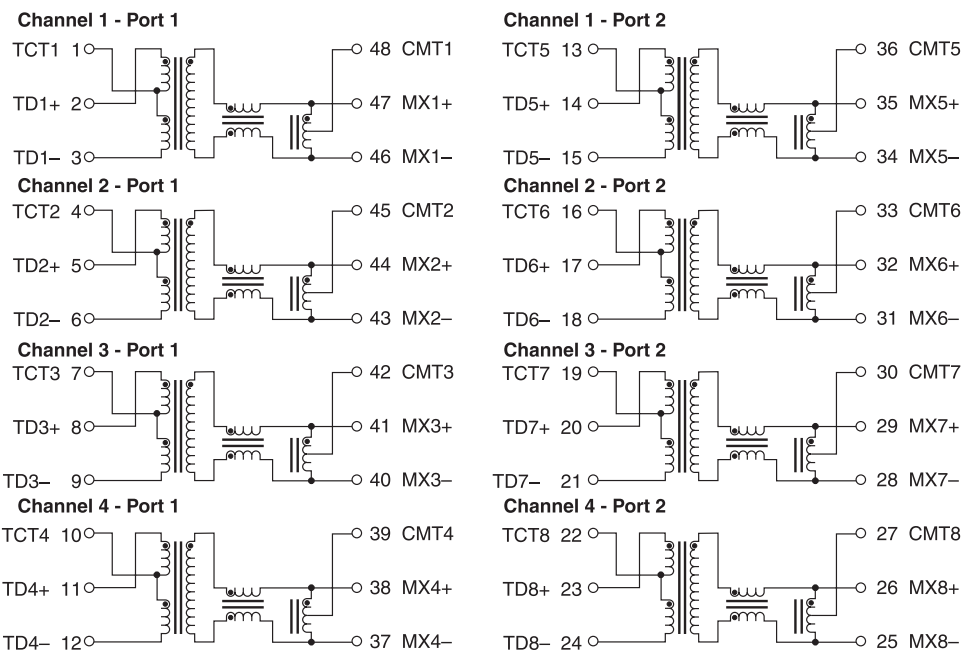
Designed to Support 1:1 Turns Ratio Transceivers



Schematics



H5012NL, H5089NL



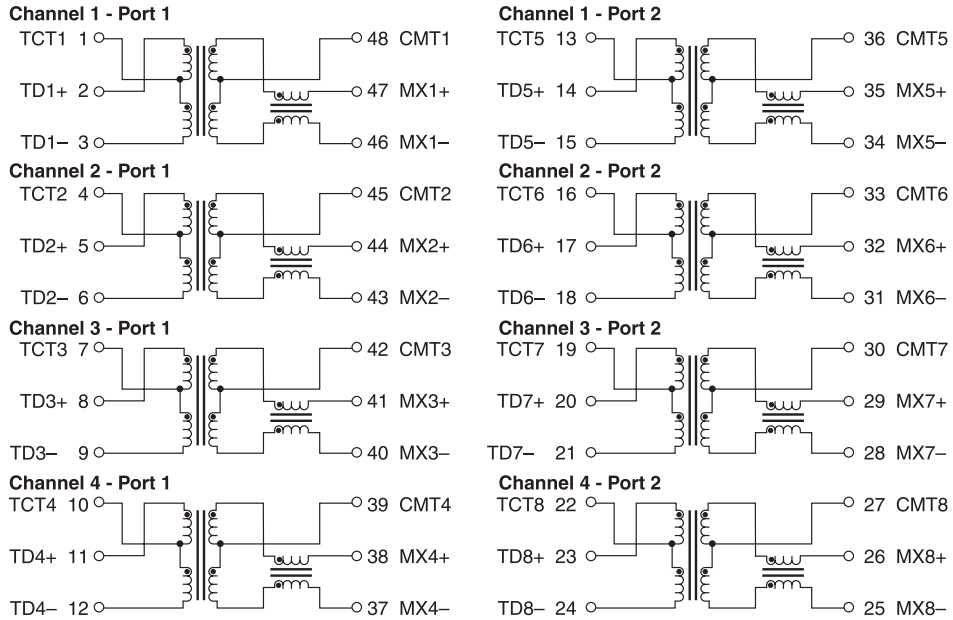
1000BASE-T MAGNETICS MODULE

Designed to Support 1:1 Turns Ratio Transceivers

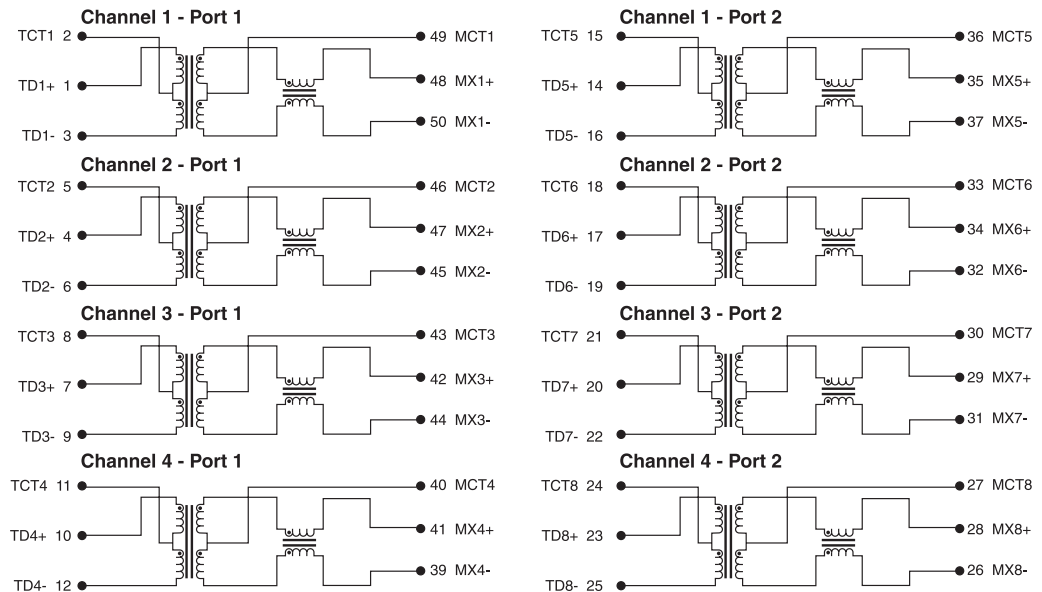


Schematics (continued)

H5014NL, HX5014NL



H5020NL, HX5020NL



For More Information:

Pulse North America Headquarters
12220 World Trade Dr.
San Diego, CA 92128
U.S.A.

Pulse Europe Headquarter
Zeppelinstrasse 15
71083 Herrenberg
Germany

Pulse China Headquarters
B402, Shenzhen Academy of
Aerospace Technology Bldg.
10th Kejianan Rd.
High-Tech Zone
Nanshan District
Shenzhen, PR China 518057
Tel: 86 755 33966678
Fax: 86 755 33966700

Pulse North China
Room 2704/2705
Super Ocean Finance Ctr.
No. 2067 Yan An Rd. West
Shanghai 200336
China
Tel: 8621 6278 7060
Fax: 8621 6278 6973

Pulse South Asia
135 Joo Seng Rd.
#03-02
PM Industrial Bldg.
Singapore 368363
Tel: 65 6287 8998
Fax: 65 6287 8998

Pulse North Asia
3F, No. 198
Zhongyuan Rd.
Zhongli City
Taoyuan County 320
Taiwan R. O. C.
Tel: 886 3 4356768
Fax: FRE 886 3 4356820
Pulse: 886 3 4356823

Tel: 858 674 8100
Fax: 858 674 8262

Tel: 49 7032 7806 0
Fax: 49 7032 7806 12

Performance warranty of products offered on this data sheet is limited to the parameters specified. Data is subject to change without notice. Other brand and product names mentioned herein may be trademarks or registered trademarks of their respective owners. Pulse and the Squarewave logo are trademarks of Pulse Electronics, Inc., registered in the U.S. and other countries. © Copyright, 2013. Pulse Electronics Corporation. All rights reserved.