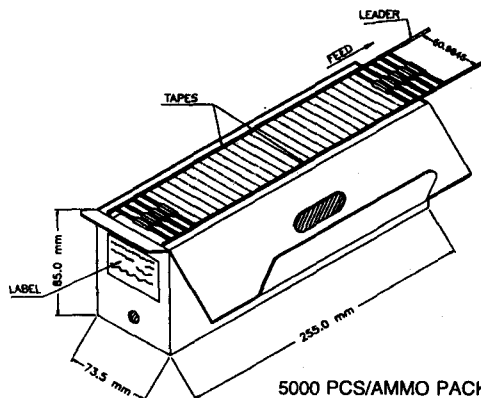
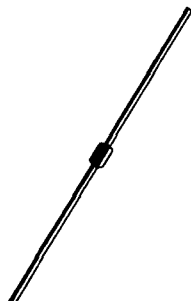


DO-35



- NOTES:
 1. CATHODE IS MARKED BY BAND
 2. ALL DIMENSIONS ARE IN M.M.

DIM	MIN	MAX
A	25,40	-
B	3,03	4,44
C	0,46	0,56
D	1,52	2,29



DIODES AMMO PACK

DO-35 Switching Diodes (500 mW)

Electrical Characteristics (At $T_a=25^\circ\text{C}$, Unless Otherwise Specified)

Type No.	I_R at V_R		P_D (W)	P_{IV} min (V)	V_F @ max (V)	I_F (mA)	C_d max (pF)	& V_R (V)	I_O (mA)	I_{FM} (mA)	t_{rr} nsec
	max (μA)	(V)									
1N914	5	75	0.5	100	1	10	4		75	225	4
1N914A	0.03	20	0.5	75	1	20	4		75	225	4
1N914B	0.03	20	0.5	75	1	100	4		75	225	4
1N4148	5	75	0.5	100	1	10	4		150	450	4
1N4150	0.1	50	0.5	75	1	200	4		200	600	4
1N4151	0.1	50	0.5	75	1	50	2		150	450	4
1N4448	5	75	0.5	100	1	100	4		150	450	4
1N4531	0.03	20	0.25	75	1	10			200	4	
1S1553	0.5	60	0.5	70	1.4	100	3.5			3	4
1S1555	0.5	30	0.5	35	1.4	100	3.5			3	4