

ESTAdry ACMKP Low-Voltage Power Capacitors



KEY BENEFITS

- Compact design with high outputs up to 30 kvar
- Very low losses: < 0.25 W per kvar
- Optimized diameter and height for excellent heat dissipation
- Highest overcurrent capability: up to 3 times rated current
- Highest inrush current capability of 300 times rated current
- Life expectancy of > 130 000 operating hours

APPLICATIONS

- Recommended for power factor correction and filters in low-voltage (≤ 1000 V) applications

RESOURCES

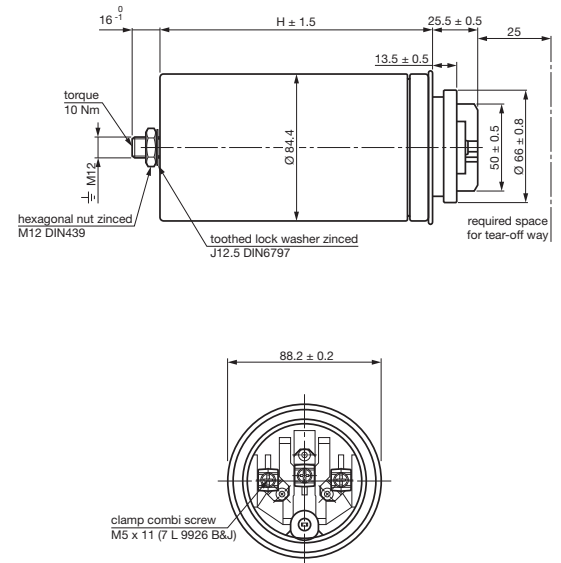
- Datasheet: ACMKP - <http://www.vishay.com/doc?13104>
- For technical questions contact esta@vishay.com



ESTAdry ACMKP Low-Voltage Power Capacitors

TECHNICAL DATA	
STANDARDS	IEC 60831-1 + 2; IS 13340
Overvoltage	$U_{on} + 10\%$ (up to 8 h daily) $U_{on} + 15\%$ (up to 30 min daily) $U_{on} + 20\%$ (up to 5 min) $U_{on} + 30\%$ (up to 1 min)
Overcurrent	1.3 x I _n 1.5 x I _n with 10 % overvoltage, 15 % overcapacitance and harmonics included, continuous operation
Tolerance on capacitance	± 5 %
Test voltage, terminal-to-terminal	2.15 x U _{on} , AC, 2 s
Test voltage, terminal-to-casing	4800 V _{AC} , 2 s
Inrush current	300 times rated current I _n
Losses	< 0.25 ... 0.45 W/kvar
Statistical life expectancy	> 130 000 operating hours
Degree of protection	IP00 (terminal cover for higher protection class, for instance IP20, IP54 upon request), indoor mounting
Ambient temperature category	- 40/D
Permitted casing temperature	Max. 65 °C (measured on top of the can)
Cooling	Naturally air-cooled
Permissible relative humidity	Maximum 95 %
Maximum allowed altitude	2000 meters above sea level
Mounting position	Vertical and horizontal
Mounting and grounding	Threaded M12 stud at the bottom of the container
Safety features	All-phase overpressure tear-off fuse, self healing
Casing	Aluminum
Dielectric	Polypropylene film, self-healing
Impregnant	Dry capacitor, gas design
Terminals	Casing Ø 84 mm: M5 screw-on terminals

DIMENSIONS in millimeters



RATED VOLTAGE 400 V, 50 Hz, 3 PHASE, DELTA CONNECTION; IP00; D-203								
TYPE	ARTICLE NO.	OUTPUT kvar 400 V	CAPACITANCE µF	CURRENT A 400 V	DIA. mm	HEIGHT mm	WEIGHT kg	DRAWING
ACMKP400.3.10.00	5348-50804-xx	10.0	3 x 66.3	14.4	84.4	190	0.9	1
ACMKP400.3.12.50	5348-50805-xx	12.5	3 x 82.9	18	84.4	190	1.0	1
ACMKP400.3.15.00	5348-50806-xx	15	3 x 99.5	21.6	84.4	190	1.1	1
ACMKP400.3.16.70	5348-50807-xx	16.7	3 x 110.7	24.1	84.4	265	1.4	1
ACMKP400.3.20.00	5348-50808-xx	20	3 x 132.6	28.8	84.4	265	1.4	1
ACMKP400.3.25.00	5348-50809-xx	25	3 x 165.8	36.1	84.4	265	1.5	1

RATED VOLTAGE 525 V/480 V, 50 Hz, 3 PHASE, DELTA CONNECTION; IP00; D-203										
TYPE	ARTICLE NO.	OUTPUT kvar 525 V	OUTPUT kvar 480 V	CAPACITANCE µF	CURRENT A 525 V/480 V	DIA. mm	HEIGHT mm	WEIGHT kg	DRAWING	
ACMKP525.3.10.00	5348-50820-xx	10	8.33	3 x 38.5	11.0/10.1	84.4	190	0.8	1	
ACMKP525.3.12.50	5348-50821-xx	12.5	10.4	3 x 48.1	13.7/12.6	84.4	190	1.0	1	
ACMKP525.3.13.80	5348-50822-xx	13.8	11.5	3 x 53.1	15.2/13.8	84.4	190	1.0	1	
ACMKP525.3.15.00	5348-50823-xx	15	12.5	3 x 57.7	16.5/15.0	84.4	190	1.1	1	
ACMKP525.3.20.00	5348-50824-xx	20	16.7	3 x 77.0	22.0/20.1	84.4	265	1.3	1	
ACMKP525.3.25.00	5348-50825-xx	25	20	3 x 96.2	27.5/24.6	84.4	265	1.5	1	

RATED VOLTAGE 440 V/415 V, 50 Hz, 3 PHASE, DELTA CONNECTION; IP00; D-203									
TYPE	ARTICLE NO.	OUTPUT kvar 440 V	OUTPUT kvar 415 V	CAPACITANCE µF	CURRENT A 440 V/415 V	DIA. mm	HEIGHT mm	WEIGHT kg	DRAWING
ACMKP440.3.10.00	5348-50833-xx	10.0	8.9	3 x 54.8	13.2/12.4	84.4	190	1.0	1
ACMKP440.3.12.50	5348-50810-xx	12.5	11.1	3 x 68.5	16.4/15.4	84.4	190	1.0	1
ACMKP440.3.14.00	5348-50811-xx	14	12.5	3 x 76.7	18.4/17.4	84.4	190	1.1	1
ACMKP440.3.15.00	5348-50812-xx	15	13.3	3 x 82.2	19.7/18.5	84.4	190	1.1	1
ACMKP440.3.16.90	5348-50813-xx	16.9	15	3 x 92.6	22.2/20.9	84.4	190	1.2	1
ACMKP440.3.18.80	5348-50814-xx	18.8	16.7	3 x 103.0	24.7/23.2	84.4	265	1.3	1
ACMKP440.3.20.00	5348-50815-xx	20	17.8	3 x 109.6	26.2/24.8	84.4	265	1.4	1
ACMKP440.3.22.50	5348-50816-xx	22.5	20	3 x 123.3	29.5/27.8	84.4	265	1.4	1
ACMKP440.3.25.00	5348-50817-xx	25	22.2	3 x 137.0	32.8/30.9	84.4	265	1.5	1
ACMKP440.3.28.10	5348-50818-xx	28.1	25	3 x 154.0	36.9/34.7	84.4	265	1.5	1
ACMKP440.3.30.00	5348-50819-xx	30	26.7	3 x 164.4	39.4/37.1	84.4	340	1.8	1

RATED VOLTAGE 660 V/690 V, 50 Hz, 3 PHASE, DELTA CONNECTION; IP00; D-203										
TYPE	ARTICLE NO.	OUTPUT kvar 660 V	OUTPUT kvar 690 V	CAPACITANCE µF	CURRENT A 660 V/690 V	DIA. mm	HEIGHT mm	WEIGHT kg	DRAWING	
ACMKP660.3.08.33	5348-50826-xx	8.33	9.1	3 x 20.3	7.3/7.6	84.4	190	0.9	1	
ACMKP660.3.10.00	5348-50827-xx	10	10.9	3 x 24.4	8.7/9.1	84.4	190	1.1	1	
ACMKP660.3.12.50	5348-50828-xx	12.5	13.7	3 x 30.4	10.9/11.5	84.4	265	1.2	1	
ACMKP660.3.15.00	5348-50829-xx	15	16.4	3 x 36.5	13.1/13.7	84.4	265	1.4	1	
ACMKP660.3.16.70	5348-50830-xx	16.7	18.3	3 x 40.7	14.6/15.3	84.4	265	1.5	1	
ACMKP660.3.20.00	5348-50831-xx	20	21.9	3 x 48.7	17.5/18.3	84.4	340	1.7	1	
ACMKP660.3.22.90	5348-50832-xx	22.9	25	3 x 55.8	20.0/20.9	84.4	340	1.9	1	

Revision 17-Feb-11