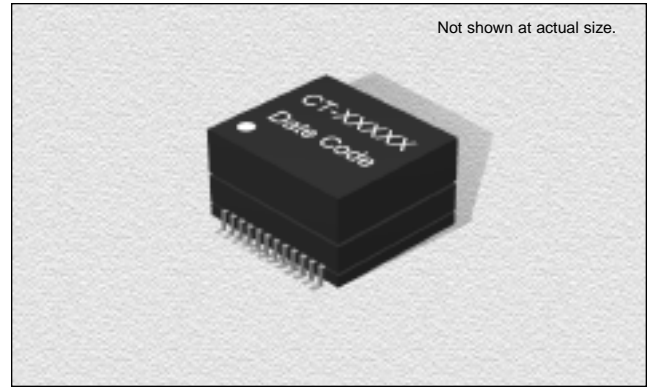


1000 Base 24 Pin (SMD)



APPLICATIONS

- Designed to support 1:1 Turn Ratio Transceivers.
- Designed for long haul Gigabit Ethernet 10/1000 Base-T, Full Duplex applications.
- Cable interface 4 isolations and low common mode emissions.
- Compliant with IEEE 802.3ab standard for 1000 Base-T.

Electrical Specifications @ 25°C

Operating Temperature: 0°C to +70°C

OCL(100KHz, 0.1 Vrms with 8mA/DC Bias): 350 μ H Min.

Insulation Resistance: 10,000 m Ω

Isolation Voltage: 1500 Vrms

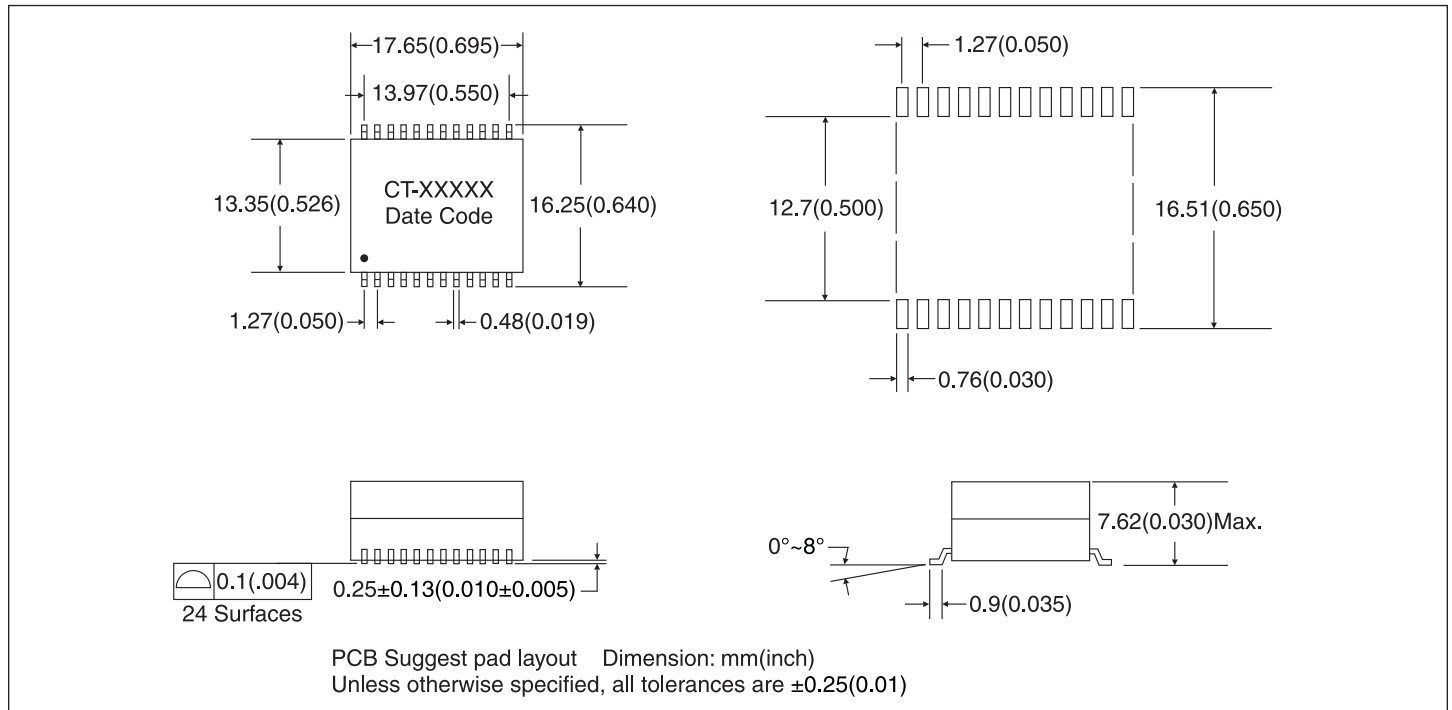
Leakage Inductance (1 MHz) : 0.5 μ H Max.

Cw/w: 28pF Max.

ORDERING INFO

Part Number	Insertion Loss (dB Max.) 0.3-100MHz	Return Loss (dB Min.)					Crosstalk (dB Min.)			Differential to Common Mode Rejection (dB Min.)		
		0.3-30 MHz	40 MHz	50 MHz	60-80 MHz	100 MHz	30 MHz	60 MHz	100 MHz	30 MHz	60 MHz	100 MHz
CT-H5004	-1.0	-18	-14.4	-13.1	-12	-10	-45	-40	-35	-43	-37	-33
CT-H5007	-1.0	-18	-14.4	-13.1	-12	-10	-45	-40	-35	-43	-37	-33

PHYSICAL DIMENSIONS



05.28.03



Manufacturer of Inductors, Chokes, Coils, Beads, Transformers & Toroids

800-684-5322 Inside US 949-453-1811 Outside US

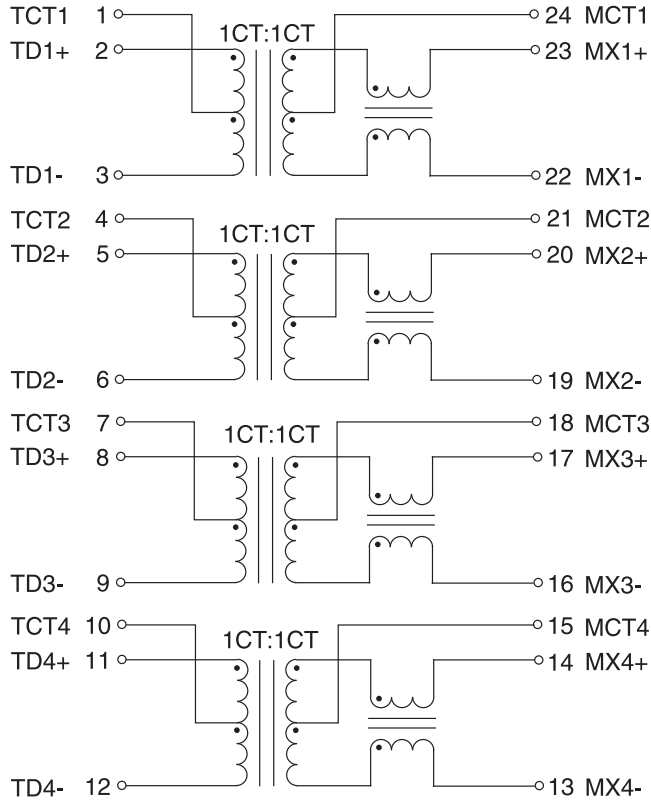
Copyright © 2004 by CT Magnetics, DBA Central Technologies. All rights reserved.

CT Magnetics reserves the right to make improvements or change specifications without notice

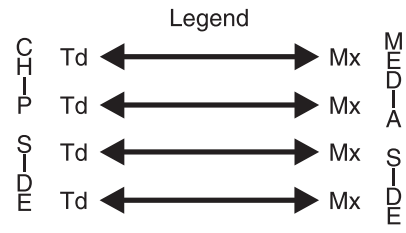
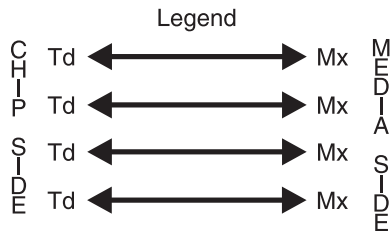
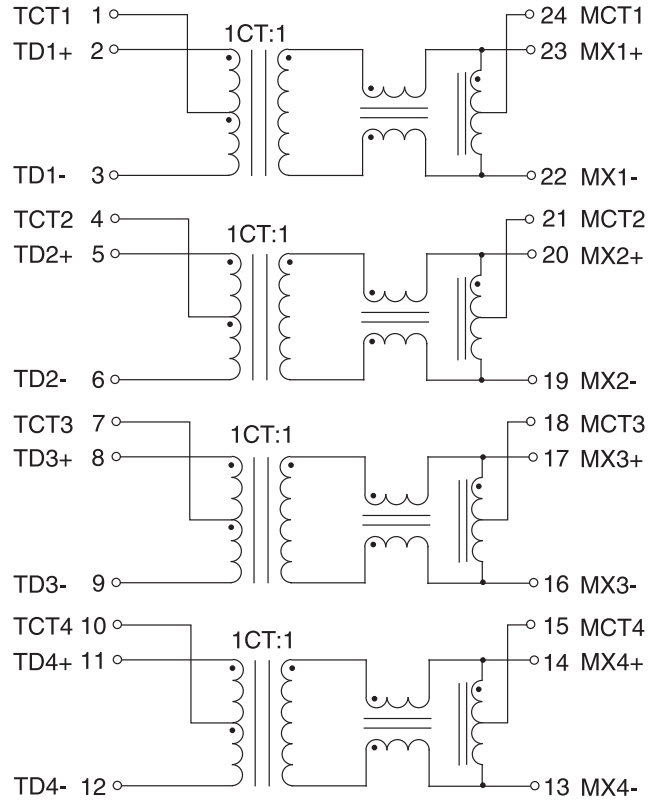
1000 Base 24 Pin (SMD)

SCHEMATICS

CT-H5004



CT-H5007



05.28.03



Manufacturer of Inductors, Chokes, Coils, Beads, Transformers & Toroids

800-684-5322 Inside US 949-453-1811 Outside US

Copyright © 2004 by CT Magnetics, DBA Central Technologies. All rights reserved.

CT Magnetics reserves the right to make improvements or change specifications without notice