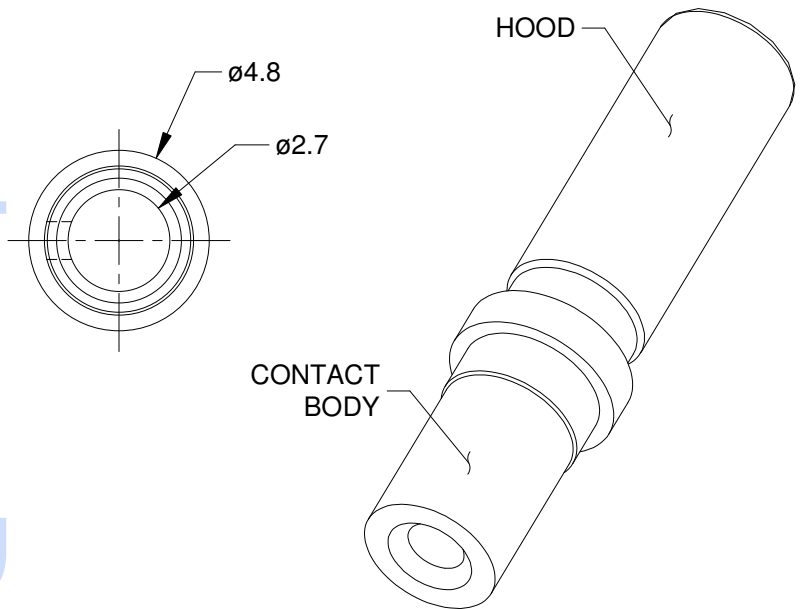
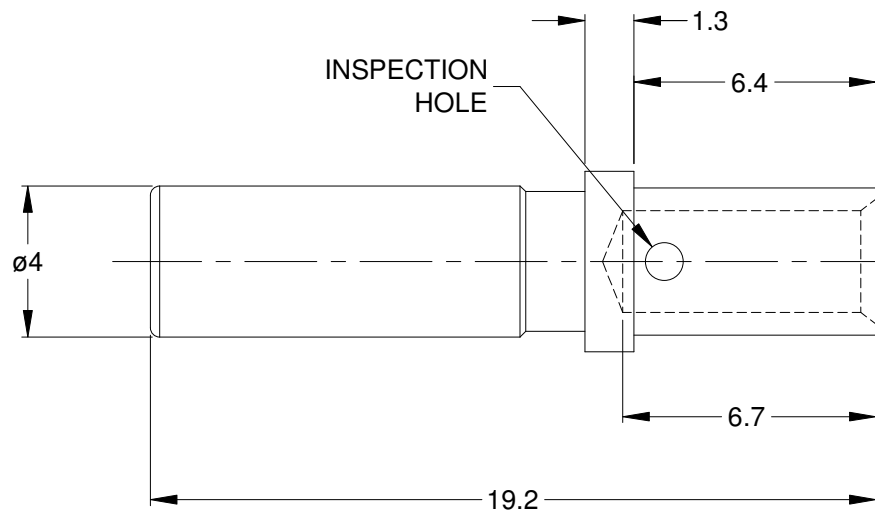


REVISIONS

REV	ECO	DESCRIPTION	DATE	BY	APPR
A3	-	RELEASE NEW DRAWING FORMAT	08/OCT/13	DRP	-
A4	-	MATCHED DIMS TO NEW TOOLING	28JAN15	JAH	-



NOTES: UNLESS OTHERWISE SPECIFIED

1. MATERIAL: COPPER ALLOY; NICKEL PLATED
2. CONTACT SIZE: 12
3. SPECIFICATIONS:
 - 3.1 CURRENT RATING: 25 AMP
 - 3.2 CONTACT MILLIVOLT DROP: 60 MILLIVOLT DROP @ 25 AMP TEST CURRENT.
 - 3.3 ROHS COMPLIANT
4. RECOMMENDED WIRE RANGE: 12 - 14 AWG
5. AVAILABLE HAND CRIMPER: CA-5D12
6. ALL DIMENSIONS ARE FOR REFERENCE USE ONLY

AT62-203-12141		PART NUMBER		DESCRIPTION		ITEM
QUANTITY		MATERIALS LIST				
UNLESS OTHERWISE SPECIFIED		SIGNATURES		DATE		<h1>Amphenol</h1> <p>Sine Systems - www.amphenol-sine.com 44724 Morley Drive Clinton Township, MI 48036</p> <p>CONTACT, SOCKET, SOLID, SIZE 12, 12-14 AWG, ATP & AHD-6 SERIES</p>
1) All dimensions are in metric (mm).		DRAWN: D.PARKS		08/OCT/13		
2) Tolerances are as follows:		CHECKED:				
1 PL DEC ±0.30		ENGINEER:				
2 PL DEC ±0.15		APPROVAL:				
3 PL DEC ±0.08		CUSTOMER:				
3) Note reference =		THIS DRAWING IS SUPPLIED FOR INFORMATION ONLY. DESIGN FEATURES, SPECIFICATIONS AND PERFORMANCE DATA SHOWN HEREON ARE THE PROPERTY OF THE AMPHENOL CORPORATION. NO RIGHTS OF REPRODUCTION ARE IMPLIED. ALL DIMENSIONS ARE SUBJECT TO NORMAL MANUFACTURING VARIATIONS.		SIZE	TYPE	DWG NO:
MATERIAL SPECIFICATIONS:		NEXT ASSY:		A	C-	AT62-203-12141
PROCESS SPECIFICATIONS:				SCALE: NONE		REVISION
						A4
				SHEET 1 OF 1		