

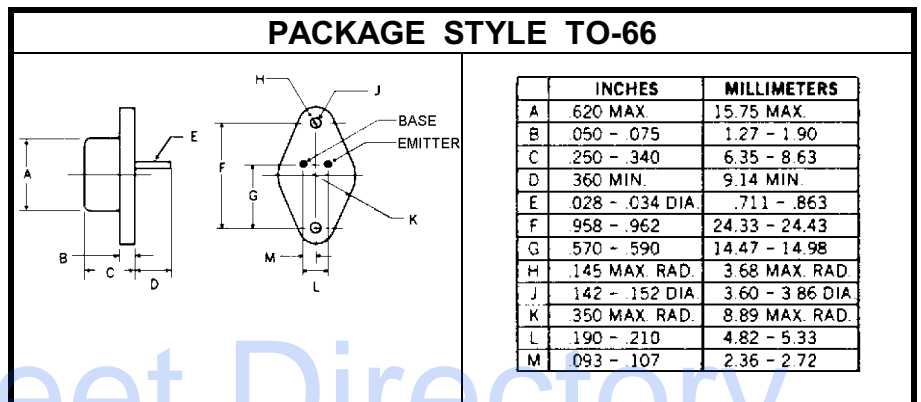
SILICON PNP MEDIUM POWER TRANSISTOR

DESCRIPTION:

The **2N3740A** is a Medium Power Transistor for General Purpose Amplifier and Switching Applications.

MAXIMUM RATINGS

I_C	4.0 A
V_{CE}	-60 V
P_{DISS}	25 W @ T _C = 25 °C
T_J	-65 to +200 °C
T_{STG}	-65 to +200 °C
θ_{JC}	7 °C/W


CHARACTERISTICS T_C = 25 °C

SYMBOL	TEST CONDITIONS	MINIMUM	TYPICAL	MAXIMUM	UNITS
BV_{CEO}	I _C = 100 mA	-60			V
I_{CEX}	V _{CE} = -60 V V _{BE} = 1.5 V V _{CE} = -60 V V _{BE} = 1.5 V T _C = 150 °C			0.1 500	μA
I_{CB0}	V _{CE} = -60 V			100	nA
I_{CEO}	V _{CE} = -40 V			1.0	μA
I_{EBO}	V _{EB} = -7.0 V			100	nA
h_{FE}	V _{CE} = -1.0 V I _C = 100 mA I _C = 250 mA I _C = 500 mA I _C = 1.0 A	40 30 20 10		100	---
V_{CE(SAT)}	I _C = 1.0 A I _B = 125 mA			-0.6	V
V_{BE(ON)}	V _{CE} = -1.0 V I _C = 1.0 A			-1.0	V
h_{fe}	V _{CE} = -10 V I _C = 50 mA f = 1.0 KHz	25			---
f_t	V _{CE} = -10 V I _C = 100 mA f = 1.0 MHz	3.0			MHz
C_{ob}	V _{CB} = -10 V f = 100 KHz			100	pF