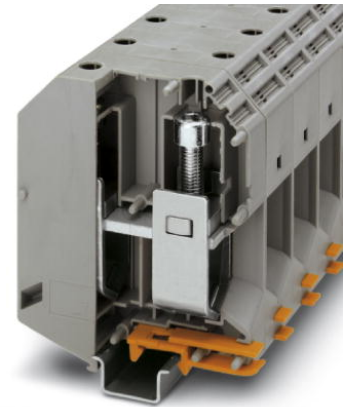


## UKH 240 BU

Order No.: 0711852

The illustration shows version UKH 240 in gray

<http://eshop.phoenixcontact.de/phoenix/treeViewClick.do?UID=0711852>

Feed-through modular terminal block, Type of connection: Screw connection, Screw connection, Cross section: 70 mm<sup>2</sup> - 240 mm<sup>2</sup>, AWG 2/0 - 500 kcmil, Width: 36 mm, Color: blue, Mounting type: NS 35/15, NS 32



Commercial data	
EAN	4017918885120
Pack	10 pcs.
Customs tariff	85369010
Weight/Piece	0.4866 KG
Catalog page information	Page 31 (CL-2009)

**Product notes**WEEE/RoHS-compliant since:  
09/01/2005

<http://www.download.phoenixcontact.com>  
Please note that the data given here has been taken from the online catalog. For comprehensive information and data, please refer to the user documentation. The General Terms and Conditions of Use apply to Internet downloads.

**Certificates / Approvals**

Certification

CSA, GL, GOST, LR, PRS, RS, UL

Certification Ex:

CUL-EX, FM, IECEX, KEMA-EX, UL-EX

**CSA**

Nominal voltage $U_N$	600 V
Nominal current $I_N$	400 A
AWG/kcmil	1/0-500

**CUL**

Nominal voltage $U_N$	600 V
Nominal current $I_N$	380 A
AWG/kcmil	2/0-500

**Accessories**

Item	Designation	Description
<b>Assembly</b>		
3003554	AGK 10-UKH 150/240	Pick-off terminal block, Type of connection: Special and hybrid connection, Cross section: 0.5 mm <sup>2</sup> - 16 mm <sup>2</sup> , AWG 20 - 6, Width: 10.2 mm, Height: 34.7 mm, Color: gray
1201659	E/AL-NS 32	End bracket, for end support of UKH 50 - UKH 240, is pushed onto DIN rail NS 32 and fixed with 2 screws, width: 10 mm, color: Aluminum
1201662	E/AL-NS 35	End bracket, for end support of UKH 50 to UKH 240, is pushed onto DIN rail NS 35 and fixed with 2 screws, width: 10 mm, color: aluminum
1201028	NS 32 AL UNPERF 2000MM	G rail 32 mm (NS 32)
1201280	NS 32 CU/120QMM UNPERF 2000MM	G-profile DIN rail, deep-drawn, material: Copper, unperforated, height 15 mm, width 32 mm, length 2 m
1201358	NS 32 CU/35QMM UNPERF 2000MM	G-profile DIN rail, material: Copper, unperforated, height 15 mm, width 32 mm, length 2 m
1201002	NS 32 PERF 2000MM	G-profile DIN rail, material: Steel, perforated, height 15 mm, width 32 mm, length 2 m
1201015	NS 32 UNPERF 2000MM	G-profile DIN rail, material: Steel, unperforated, height 15 mm, width 32 mm, length 2 m
1201756	NS 35/15 AL UNPERF 2000MM	DIN rail, deep-drawn, high profile, unperforated, 1.5 mm thick, material: Aluminum, height 15 mm, width 35 mm, length 2 m
1201895	NS 35/15 CU UNPERF 2000MM	DIN rail, material: Copper, unperforated, 1.5 mm thick, height 15 mm, width 35 mm, length: 2 m
1201730	NS 35/15 PERF 2000MM	DIN rail, material: Steel, perforated, height 15 mm, width 35 mm, length: 2 m
1201714	NS 35/15 UNPERF 2000MM	DIN rail, material: Steel, unperforated, height 15 mm, width 35 mm, length: 2 m

1201798	NS 35/15-2,3 UNPERF 2000MM	DIN rail, material: Steel, unperforated, 2.3 mm thick, height 15 mm, width 35 mm, length: 2 m
---------	----------------------------	---

**Bridges**

0201401	EB 2-36/UKH	Cross connector/bridge, Number of positions: 2, Color: gray
0201414	EB 3-36/UKH	Cross connector/bridge, Number of positions: 3, Color: gray

**Marking**

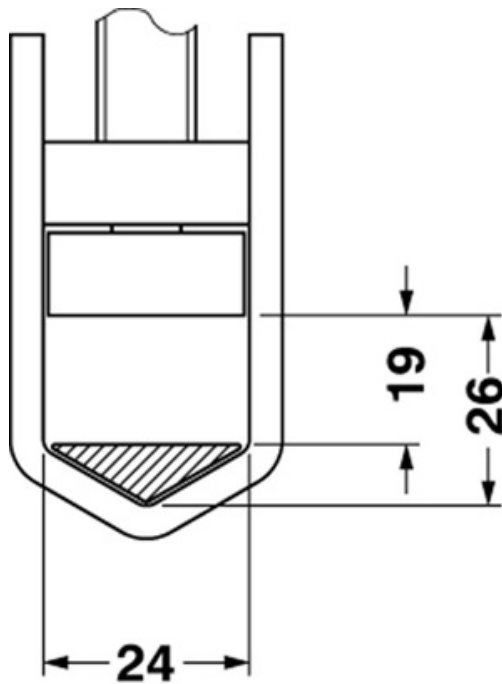
1004513	WS-2K	Adhesive warning plate, self-adhesive, black print: lightning flash with mixed version - "Vorsicht Spannung - Attention Danger" size of label: 32 x 26 mm
1050525	ZB10:SO/CMS	Zack strip, 10-section, divisible, special printing, marking according to customer requirements

**Plug/Adapter**

3009244	UKH 150/240 EP	Insertion profile
---------	----------------	-------------------

**Diagrams/Drawings**

Dimensioned drawing



Circuit diagram



Approbationslogos (EX-Bereich)

---



**Address**

PHOENIX CONTACT Inc., USA  
586 Fulling Mill Road  
Middletown, PA 17057, USA  
Phone (800) 888-7388  
Fax (717) 944-1625  
<http://www.phoenixcon.com>



© 2010 Phoenix Contact  
Technical modifications reserved;