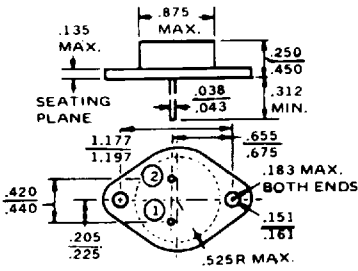


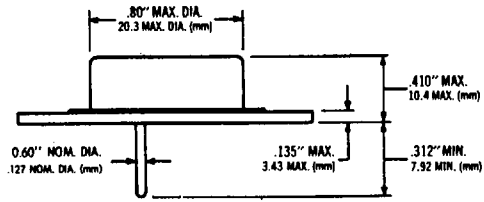
DEVICE TYPE NO.	POLARITY	P _b @ T _c =25°C		MAXIMUM RATINGS			ELECTRICAL CHARACTERISTICS				CASE
		WATTS	I _c AMPS	BV _{CBO}	BV _{CE}	BV _{EBO}	h _{FE} MIN.	I _c AMPS	V _{CE}	f MHZ *KHZ	
2N5631	NPN	200	16.0	140	140	7	15	8.00	2	1	T03
2N5632	NPN	150	10.0	100	100	7	25	5.00	2	1	T03
2N5633	NPN	150	10.0	120	120	7	20	5.00	2	1	T03
2N5634	NPN	150	10.0	140	140	7	15	5.00	2	1	T03
2N5671	NPN	140	30.0	120	90	7	20	15.0	2	50	T03
2N5672	NPN	140	30.0	150	120	7	20	15.0	2	50	T03
2N5679	PNP	1.00	1.00	100	100	4	40	.250	2	30	T039
2N5680	PNP	1.00	1.00	120	120	4	40	.250	2	30	T039
2N5681	NPN	1.00	1.00	100	100	4	40	.250	2	30	T039
2N5682	NPN	1.00	1.00	120	120	4	40	.250	2	30	T039
2N5683	PNP	300	50.0	60	60	5	15	20.0	2	2	T03 MOD
2N5684	PNP	300	50.0	80	80	5	15	20.0	2	2	T03 MOD
2N5685	NPN	300	50.0	60	60	5	15	20.0	2	2	T03 MOD
2N5686	NPN	300	50.0	80	80	5	15	20.0	2	2	T03 MOD
2N5729	NPN	10.0	5.00	100	80	5	30	2.00	2	30	T039
2N5732	NPN	75.0	20.0	100	80	5	30	5.00	2	30	T03
2N5734	NPN	150	30.0	100	80	5	30	10.0	2	30	T03
2N5745	PNP	200	30.0	80	80	5	15	10.0	2	2	T03
2N5758	NPN	150	6.00	100	100	7	25	3.00	2	1	T03
2N5759	NPN	150	6.00	120	120	7	20	3.00	2	1	T03
2N5760	NPN	150	6.00	140	140	7	15	3.00	2	1	T03
2N5784	NPN	10.0	3.50	80	80	5	20	1.00	2	1	T039
2N5785	NPN	10.0	3.50	65	65	5	20	1.20	2	1	T039
2N5786	NPN	10.0	3.50	45	45	3.5	20	1.60	2	1	T039
2N5838	NPN	57.0	3.00	275	275	6	9	2.00	2	5	T03
2N5839	NPN	57.0	3.00	300	300	6	10	2.00	3	5	T03
2N5840	NPN	57.0	3.00	375	375	6	10	2.00	3	5	T03
2N5871	PNP	115	7.00	60	60	5	2.5	4.00	20	4	T03
2N5872	PNP	115	7.00	80	80	5	2.5	4.00	20	4	T03
2N5873	NPN	115	7.00	60	60	5	2.5	4.00	20	4	T03
2N5874	NPN	115	7.00	80	80	5	2.5	4.00	20	4	T03
2N5875	PNP	150	10.0	60	60	5	20	4.00	4	4	T03
2N5876	PNP	150	10.0	80	80	5	20	4.00	4	4	T03
2N5877	NPN	150	10.0	60	60	5	20	4.00	4	4	T03
2N5878	NPN	150	10.0	80	80	5	20	4.00	4	4	T03
2N5879	PNP	160	15.0	60	60	5	20	6.00	4	4	T03
2N5880	PNP	160	15.0	80	80	5	20	6.00	4	4	T03
2N5881	NPN	160	15.0	60	60	5	20	6.00	4	4	T03
2N5882	NPN	160	15.0	80	80	5	20	6.00	4	4	T03
2N5883	PNP	200	25.0	60	60	5	20	10.0	4	4	T03
2N5884	PNP	200	25.0	80	80	5	20	10.0	4	4	T03
2N5885	NPN	200	25.0	60	60	5	20	10.0	4	4	T03
2N5886	NPN	200	25.0	80	80	5	20	10.0	4	4	T03
2N6029	PNP	200	16.0	100	100	7	25	8.00	2	1	T03
2N6030	PNP	200	16.0	120	120	7	20	8.00	2	1	T03
2N6031	PNP	200	16.0	140	140	7	15	8.00	2	1	T03
2N6034	PNP	40.0	4.00	40	40	5	750	2.00	3	25	T0126
2N6035	PNP	40.0	4.00	60	60	5	750	2.00	3	25	T0126
2N6036	PNP	40.0	4.00	80	80	5	750	2.00	3	25	T0126
2N6037	NPN	40.0	4.00	40	40	5	750	2.00	3	25	T0126
2N6038	NPN	40.0	4.00	60	60	5	750	2.00	3	25	T0126
2N6039	NPN	40.0	4.00	80	80	5	750	2.00	3	25	T0126
2N6040	PNP	75.0	8.00	60	60	5	1.0K	4.00	4	4	T0220
2N6041	PNP	75.0	8.00	80	80	5	1.0K	4.00	4	4	T0220
2N6042	PNP	75.0	8.00	100	100	5	1.0K	3.00	4	4	T0220
2N6043	NPN	75.0	8.00	60	60	5	1.0K	4.00	4	4	T0220
2N6044	NPN	75.0	8.00	80	80	5	1.0K	4.00	4	4	T0220
2N6045	NPN	75.0	8.00	100	100	5	1.0K	3.00	4	4	T0220
2N6049	PNP	75.0	4.00	90	55	7	25	.500	4	3	T066
2N6050	PNP	150	12.0	60	60	5	750	6.00	3	4	T03
2N6051	PNP	150	12.0	80	80	5	750	6.00	3	4	T03
2N6052	PNP	150	12.0	10	100	5	750	6.00	3	4	T03
2N6053	PNP	100	8.00	60	60	5	750	4.00	3	4	T03
2N6054	PNP	100	8.00	80	80	5	750	4.00	3	4	T03

TO3

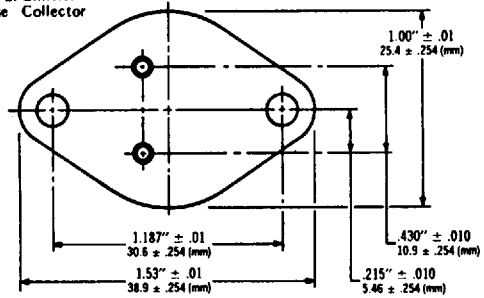


TO3-MOD

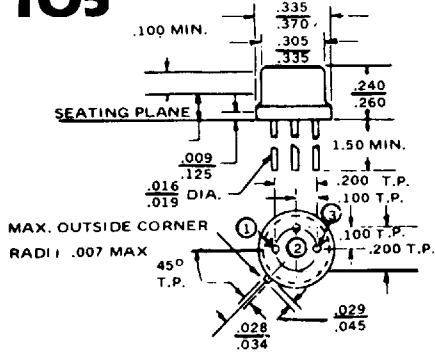
Case TO3 MODIFIED (.050" Pin Dia.)



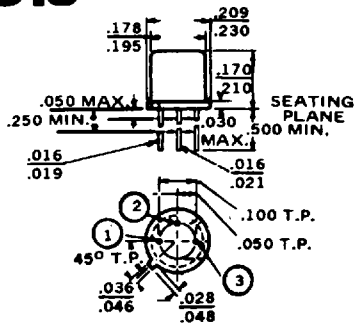
Pin 1. Base
2. Emitter
Case Collector



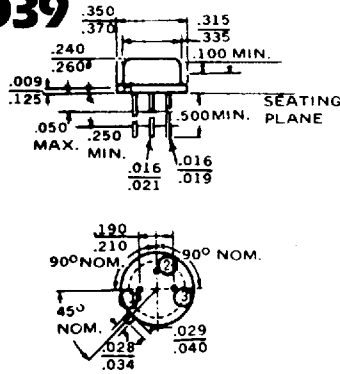
TO5



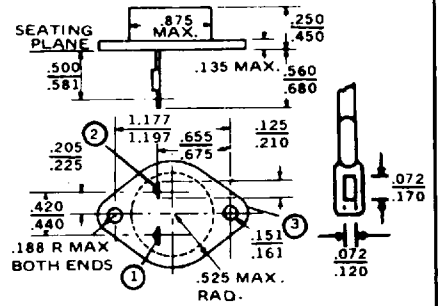
TO18



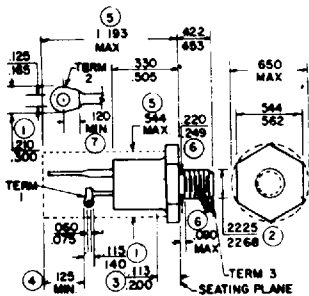
TO39



TO41



TO48



TO61

