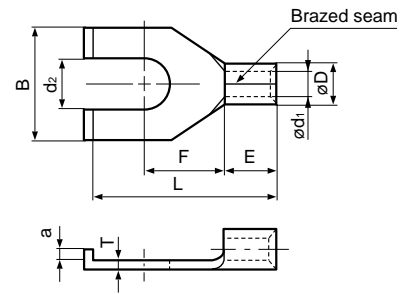


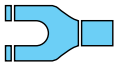
FLANGED SPADE TONGUE (B type) Non-insulated



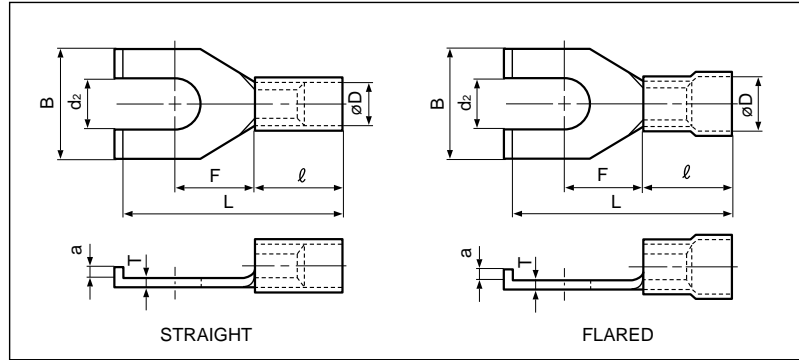
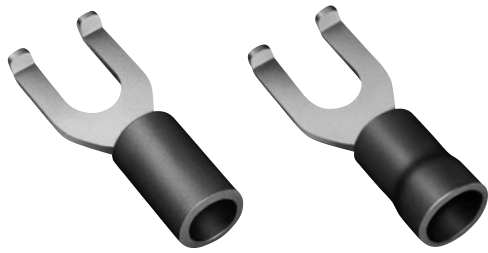
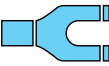
File No.: LR20812

Applicable Wire AWG#(mm ²)	Stud size		Part No.	Standard	Dimensions mm (in.)										Tool No.	Qty/box
	American	Metric			dz	B	L	F	E	øD	ød ₁	a	T			
26 to 22 (0.2 to 0.5)	1-2	2	0.5-2B		2.2 (.087)	4.6 (.181)	11.6 (.457)	4.5 (.177)	4.0 (.157)	2.0 (.079)	1.0 (.039)	1.0 (.039)	0.5 (.020)	YHT-2622 YA-1 YA-2 BCT-0514	1,000	
	3-4	3.5	0.5-3B		3.7 (.146)	6.5 (.256)	12.6 (.496)	5.8 (.228)								
	8	4	0.5-4B		4.3 (.169)	7.0 (.276)	15.0 (.591)	6.3 (.248)								
22 to 16 (0.25 to 1.65)	5-6	3.5	1.25-T3B		3.7 (.146)	6.4 (.252)	13.1 (.516)	5.1 (.201)	4.8 (.189)	3.4 (.134)	1.7 (.067)	1.0 (.039)	0.8 (.031)	YHT-2210 YA-1 YA-2 YA-4 BCT-0514	1,000	
	5-6	3.5	1.25-YS3B		3.7 (.146)	6.4 (.252)	14.2 (.559)	6.3 (.248)								
	5-6	3.5	1.25-S3B		3.7 (.146)	7.5 (.295)	13.1 (.516)	5.1 (.201)								
	5-6	3.5	1.25-3B		3.7 (.146)	8.5 (.335)	17.5 (.689)	7.2 (.284)								
	8	4	1.25-YS4B		4.3 (.169)	6.4 (.252)	14.2 (.559)	6.3 (.248)								
	8	4	1.25-S4B		4.3 (.169)	7.5 (.295)	13.1 (.516)	5.1 (.201)								
	8	4	1.25-4B		4.3 (.169)	8.5 (.335)	18.5 (.728)	7.2 (.284)								
	10	5	1.25-5B		5.3 (.209)	8.5 (.335)	18.5 (.728)	7.2 (.284)								
1/4	6	1.25-6B		6.4 (.252)	13.5 (.532)	24.0 (.945)	11.7 (.461)									
16 to 14 (1.04 to 2.63)	5-6	3.5	2-YS3B		3.7 (.146)	6.4 (.252)	14.4 (.567)	6.3 (.248)	4.8 (.189)	4.1 (.161)	2.3 (.091)	1.5 (.059)	0.8 (.031)	YHT-2210 YA-1 YA-2 YA-4 BCT-0514	1,000	
	5-6	3.5	2-T3B		3.7 (.146)	7.5 (.295)	13.5 (.532)	5.2 (.205)								
	5-6	3.5	2-S3B		3.7 (.146)	8.5 (.335)	14.8 (.583)	7.2 (.283)								
	5-6	3.5	2-3B		3.7 (.146)	8.5 (.335)	17.0 (.670)	7.2 (.283)								
	8	4	2-T4B		4.3 (.169)	7.5 (.295)	13.5 (.532)	5.2 (.205)								
	8	4	2-S4B		4.3 (.169)	8.5 (.335)	14.8 (.583)	7.2 (.283)								
	8	4	2-E4B		4.3 (.169)	8.5 (.335)	15.2 (.598)	7.3 (.287)								
	8	4	2-4B		4.3 (.169)	8.5 (.335)	17.0 (.670)	7.3 (.287)								
	10	5	2-5B		5.3 (.209)	8.5 (.335)	17.0 (.670)	7.3 (.287)								
	1/4	6	2-6B		6.4 (.252)	13.5 (.532)	24.0 (.945)	11.7 (.461)								
12 to 10 (2.63 to 6.64)	5-6	3.5	5.5-S3B		3.7 (.146)	7.6 (.299)	18.0 (.709)	6.2 (.244)	6.8 (.268)	5.6 (.221)	3.4 (.134)	1.5 (.059)	1.0 (.039)	YHT-2210 YA-1 YA-2 YA-4 BCT-0514	500	
	5-6	3.5	5.5-3B		3.7 (.146)	8.5 (.335)	19.5 (.768)	7.5 (.295)								
	8	4	5.5-S4B		4.3 (.169)	7.6 (.299)	18.0 (.709)	6.2 (.244)								
	8	4	5.5-4B		4.3 (.169)	8.5 (.335)	19.5 (.768)	7.5 (.295)								
	10	5	5.5-S5B		5.3 (.209)	7.6 (.299)	18.0 (.709)	6.2 (.244)								
	10	5	5.5-5B		5.3 (.209)	8.5 (.335)	19.5 (.768)	7.5 (.295)								
	10	5	5.5-E5B		5.3 (.209)	9.5 (.374)	17.5 (.689)	7.5 (.295)								
	1/4	6	5.5-6B		6.4 (.252)	13.5 (.532)	26.5(1.043)	12.2 (.480)								

Note:1) The part numbers indicated in the above table are for products with a brazed seam.
 When ordering products with a butted seam, add the prefix "WS" to the part number (ex. 2-4B → **WS2-4B**).
 2) Delivery lead times may vary depending on the product. Contact JST for details.



FLANGED SPADE TONGUE (B type) Vinyl-insulated

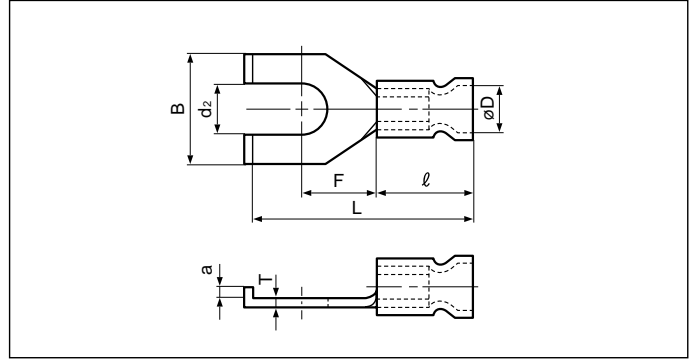


File No.: E42024 LR20812

Applicable Wire AWG#(mm ²)	Stud size		Part No.		Standard	Dimensions mm (in.)										Color	Tool No.	Qty/box											
	American	Metric	Straight	Flared		dz	B	L	F	a	ℓ	øD		T															
														Str.	Fld.														
26 to 22 (0.2 to 0.5)	1-2	2	V0.5-2B	FV0.5-2B		2.2 (.087)	4.6 (.181)	15.6 (.614)	4.5 (.177)	1.0 (.039)	8.0 (.315)	1.9 (.075)	2.9 (.114)	0.5 (.020)	Yellow	YNT-2622 YA-1, YA-2 BCT-0514	1,000												
	5-6	3.5	V0.5-3B	FV0.5-3B		3.7 (.146)	6.5 (.256)	16.6 (.654)	5.8 (.228)																				
22 to 16 (0.25 to 1.65)	5-6	3.5	V1.25-YS3B	FV1.25-YS3B		3.7 (.146)	6.4 (.252)	18.4 (.724)	6.3 (.248)	0.8 (.031)	9.0 (.354)	3.2 (.126)	4.0 (.157)	0.8 (.031)	Red	YNT-2216 YA-1 YA-2 YA-4 BCT-0514	1,000												
	5-6	3.5	V1.25-S3B	FV1.25-S3B		3.7 (.146)	7.5 (.295)	17.3 (.681)	5.1 (.201)	1.5 (.059)																			
	5-6	3.5	V1.25-3B	FV1.25-3B		3.7 (.146)	8.5 (.335)	21.7 (.854)	7.2 (.284)																				
	8	4	V1.25-YS4B	FV1.25-YS4B		4.3 (.169)	6.4 (.252)	18.4 (.724)	6.3 (.248)	0.8 (.031)																			
	8	4	V1.25-S4B	FV1.25-S4B		4.3 (.169)	7.5 (.295)	17.3 (.681)	5.1 (.201)	1.5 (.059)																			
	8	4	V1.25-4B	FV1.25-4B		4.3 (.169)	8.5 (.335)	22.7 (.894)	7.2 (.284)																				
	10	5	V1.25-5B	FV1.25-5B		5.3 (.209)	8.5 (.335)	22.7 (.894)	7.2 (.284)																				
1/4	6	V1.25-6B	FV1.25-6B		6.4 (.252)	13.5 (.532)	28.2(1.110)	11.7 (.461)								500													
16 to 14 (1.04 to 2.63)	5-6	3.5	V2-YS3B	FV2-YS3B		3.7 (.146)	6.4 (.252)	18.6 (.732)	6.3 (.248)	0.8 (.031)	9.0 (.354)	3.9 (.154)	4.5 (.177)	0.8 (.031)	Blue	YNT-1614 YA-1 YA-2 YA-4 BCT-0514	1,000												
	5-6	3.5	V2-T3B	FV2-T3B		3.7 (.146)	7.5 (.295)	17.7 (.697)	5.2 (.205)	1.5 (.059)																			
	5-6	3.5	V2-S3B	FV2-S3B		3.7 (.146)	8.5 (.335)	19.0 (.748)	7.2 (.284)																				
	5-6	3.5	V2-3B	FV2-3B		3.7 (.146)	8.5 (.335)	21.2 (.835)	7.2 (.284)																				
	8	4	V2-T4B	FV2-T4B		4.3 (.169)	7.5 (.295)	17.7 (.696)	5.2 (.205)	1.0 (.039)																			
	8	4	V2-S4B	FV2-S4B		4.3 (.169)	8.5 (.335)	19.0 (.748)	7.2 (.284)	1.5 (.059)																			
	8	4	V2-E4B	FV2-E4B		4.3 (.169)	8.5 (.335)	19.4 (.764)	7.3 (.287)																				
	8	4	V2-4B	FV2-4B		4.3 (.169)	8.5 (.335)	21.2 (.835)	7.3 (.287)																				
	10	5	V2-5B	FV2-5B		5.3 (.209)	8.5 (.335)	21.2 (.835)	7.3 (.287)																				
1/4	6	V2-6B	FV2-6B		6.4 (.252)	13.5 (.532)	28.2(1.110)	11.7 (.461)								500													
12 to 10 (2.63 to 6.64)	5-6	3.5	V5.5-S3B	FV5.5-S3B		3.7 (.146)	7.6 (.299)	24.7 (.972)	6.2 (.244)	1.5 (.059)	13.5 (.531)	5.4 (.213)	6.8 (.268)	1.0 (.039)	Yellow	YNT-1210S YA-4 BCT-0514	500												
	5-6	3.5	V5.5-3B	FV5.5-3B		3.7 (.146)	8.5 (.335)	26.2(1.032)	7.5 (.295)																				
	8	4	V5.5-S4B	FV5.5-S4B		4.3 (.169)	7.6 (.299)	24.7 (.972)	6.2 (.244)																				
	8	4	V5.5-4B	FV5.5-4B		4.3 (.169)	8.5 (.335)	26.2(1.032)	7.5 (.295)																				
	10	5	V5.5-S5B	FV5.5-S5B		5.3 (.209)	7.6 (.299)	24.7 (.972)	6.2 (.244)																				
	10	5	V5.5-5B	FV5.5-5B		5.3 (.209)	8.5 (.335)	26.2(1.032)	7.5 (.295)																				
	10	5	V5.5-E5B	FV5.5-E5B		5.3 (.209)	9.5 (.374)	24.2 (.953)	7.5 (.295)																				
	1/4	6	V5.5-6B	FV5.5-6B		6.4 (.252)	13.5 (.532)	33.2(1.307)	12.2 (.480)															250					

- Note:1) *The crimping will be more secure if the total cross-sectional area of the wire is at least 0.5 mm².
 Examples: If the cross-sectional area of the wire is 0.3mm², fold the wire in two when crimping the terminal.
 If the cross-sectional area of the wire is 0.5mm², crimp the terminal onto the wire as it is.
- The part numbers indicated in the above table are for products with a brazed seam.
 - When ordering products with a butted seam, add the prefix "WS" to the part number (ex. V2-4B → **VWS2-4B**).
 - To order products with nylon insulation, change the "V" in the part number prefix to "N" (ex. V2-T4B → **N2-T4B**).
 Because nylon absorbs moisture, care must be taken concerning storage.
 - Delivery lead times may vary depending on the product. Contact JST for details.

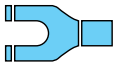
FLANGED SPADE TONGUE (B type) Vinyl-insulated (funnel-entry)



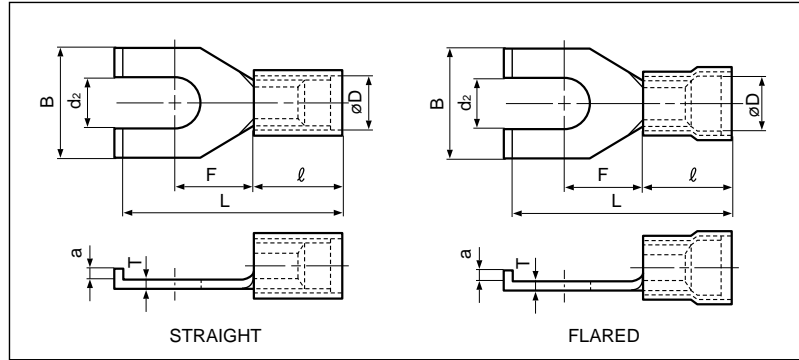
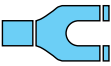
File No.: E42024 LR20812

Applicable Wire AWG#(mm ²)	Stud size		Part No.	Standard	Dimensions mm (in.)								Color	Tool No.	Qty/box
	American	Metric			d ₂	B	L	F	a	ℓ	øD	T			
22 to 16 *(0.25 to 1.65)	5-6	3.5	FVX1.25-YS3B		3.7 (.146)	6.4 (.252)	20.2 (.795)	6.3 (.248)	0.8 (.031)	10.8 (.425)	4.0 (.157)	0.8 (.031)	Red	YNT-2216 YA-1 YA-2 YA-4 BCT-0514	1,000
	5-6	3.5	FVX1.25-S3B		3.7 (.146)	7.5 (.295)	19.1 (.752)	5.1 (.201)	1.5 (.059)						
	5-6	3.5	FVX1.25-3B		3.7 (.146)	8.5 (.335)	23.5 (.925)	7.2 (.284)	0.8 (.031)						
	8	4	FVX1.25-YS4B		4.3 (.169)	6.4 (.252)	20.2 (.795)	6.3 (.248)	0.8 (.031)						
	8	4	FVX1.25-S4B		4.3 (.169)	7.5 (.295)	19.1 (.752)	5.1 (.201)	1.5 (.059)						
	8	4	FVX1.25-4B		4.3 (.169)	8.5 (.335)	24.5 (.965)	7.2 (.283)	1.5 (.059)						
	10	5	FVX1.25-5B		5.3 (.209)	8.5 (.335)	24.5 (.965)	7.2 (.283)	1.5 (.059)						
1/4	6	FVX1.25-6B		6.4 (.252)	13.5 (.531)	30.0(1.181)	11.7 (.461)	1.5 (.059)	-						
16 to 14 (1.04 to 2.63)	5-6	3.5	FVX2-YS3B		3.7 (.146)	6.4 (.252)	20.4 (.803)	6.3 (.248)	0.8 (.031)	10.8 (.425)	4.6 (.181)	0.8 (.031)	Blue	YNT-1614 YA-1 YA-2 YA-4 BCT-0514	1,000
	5-6	3.5	FVX2-T3B		3.7 (.146)	7.5 (.295)	19.5 (.768)	5.2 (.205)	1.5 (.059)						
	5-6	3.5	FVX2-S3B		3.7 (.146)	8.5 (.335)	20.8 (.819)	7.2 (.283)	1.5 (.059)						
	5-6	3.5	FVX2-3B		3.7 (.146)	8.5 (.335)	23.0 (.906)	7.2 (.283)	1.5 (.059)						
	8	4	FVX2-T4B		4.3 (.169)	7.5 (.295)	19.5 (.768)	5.2 (.205)	1.0 (.039)						
	8	4	FVX2-S4B		4.3 (.169)	8.5 (.335)	20.8 (.819)	7.2 (.283)	1.5 (.059)						
	8	4	FVX2-E4B		4.3 (.169)	8.5 (.335)	21.2 (.835)	7.3 (.287)	1.0 (.039)						
	8	4	FVX2-4B		4.3 (.169)	8.5 (.335)	23.0 (.906)	7.3 (.287)	1.5 (.059)						
	10	5	FVX2-5B		5.3 (.209)	8.5 (.335)	23.0 (.906)	7.3 (.287)	1.5 (.059)						
1/4	6	FVX2-6B		6.4 (.252)	13.5 (.531)	30.0(1.181)	11.7 (.461)	1.5 (.059)	-						
12 to 10 (2.63 to 6.64)	5-6	3.5	FVX5.5-S3B		3.7 (.146)	7.6 (.299)	25.2 (.992)	6.2 (.244)	1.5 (.059)	14.0 (.551)	6.8 (.268)	1.0 (.039)	Yellow	YNT-1210S YA-4 BCT-0514	500
	5-6	3.5	FVX5.5-3B		3.7 (.146)	8.5 (.335)	26.7(1.051)	7.5 (.295)							
	8	4	FVX5.5-S4B		4.3 (.169)	7.6 (.299)	25.2 (.992)	6.2 (.244)							
	8	4	FVX5.5-4B		4.3 (.169)	8.5 (.335)	26.7(1.051)	7.5 (.295)							
	10	5	FVX5.5-S5B		5.3 (.209)	7.6 (.299)	25.2 (.992)	6.2 (.244)							
	10	5	FVX5.5-5B		5.3 (.209)	8.5 (.335)	26.7(1.051)	7.5 (.295)							
	10	5	FVX5.5-E5B		5.3 (.209)	9.6 (.378)	24.7 (.972)	7.5 (.295)							
	1/4	6	FVX5.5-6B		6.4 (.252)	13.5 (.531)	33.7(1.327)	12.2 (.480)							

Note:1) The part numbers indicated in the above table are for products with a brazed seam.
 When ordering products with a butted seam, add the prefix "WS" to the part number (ex. FVX2-4B →FVXWS2-4B).
 2) *The crimping will be more secure if the total cross-sectional area of the wire is at least 0.5 mm².
 Examples: If the cross-sectional area of the wire is 0.3mm², fold the wire in two when crimping the terminal.
 If the cross-sectional area of the wire is 0.5mm², crimp the terminal onto the wire as it is.
 3) Delivery lead times may vary depending on the product. Contact JST for details.



FLANGED SPADE TONGUE (B type) Vinyl-insulated with copper sleeve



File No.: E42024 LR20812

Applicable Wire AWG#(mm ²)	Stud size		Part No.		Standard	Dimensions mm (in.)										Color	Tool No.	Qty/box	
	American	Metric	Straight	Flared		d2	B	L	F	a	ℓ	øD		T					
													Str.	Fld.					
26 to 22 (0.2 to 0.5)	1-2	2	VD0.5-2B	-		2.2 (.087)	4.6 (.181)	15.6 (.614)	4.5 (.177)	1.0 (.039)	8.0 (.315)	2.2 (.087)	2.5 (.098)	0.5 (.020)	Yellow	YNT-2622 YA-1, YA-2 BCT-0514	1,000		
	5-6	3.5	VD0.5-3B	-		3.7 (.146)	6.5 (.256)	16.6 (.654)	5.8 (.228)										
	1-2	2	-	FVD0.5-2B		2.2 (.087)	4.6 (.181)	15.9 (.626)	4.5 (.177)										
	5-6	3.5	-	FVD0.5-3B		3.7 (.146)	6.5 (.256)	16.9 (.665)	5.8 (.228)										
22 to 16 (0.25 to 1.65)	5-6	3.5	VD1.25-YS3B	FVD1.25-YS3B		3.7 (.146)	6.4 (.252)	19.0 (.748)	6.3 (.248)	0.8 (.031)	9.6 (.378)	3.5 (.138)	4.0 (.157)	0.8 (.031)	Red	YNT-2216 YA-1 YA-2 YA-4 BCT-0514	1,000		
	5-6	3.5	VD1.25-S3B	FVD1.25-S3B		3.7 (.146)	7.5 (.295)	17.9 (.705)	5.1 (.201)	1.5 (.059)									
	5-6	3.5	VD1.25-3B	FVD1.25-3B		3.7 (.146)	8.5 (.335)	22.3 (.878)	7.2 (.283)	0.8 (.031)									
	8	4	VD1.25-YS4B	FVD1.25-YS4B		4.3 (.169)	6.4 (.252)	19.0 (.748)	6.3 (.248)	1.5 (.059)									
	8	4	VD1.25-S4B	FVD1.25-S4B		4.3 (.169)	7.5 (.295)	17.9 (.705)	5.1 (.201)	0.8 (.031)									
	8	4	VD1.25-4B	FVD1.25-4B		4.3 (.169)	8.5 (.335)	23.3 (.917)	7.2 (.283)	1.5 (.059)									
	10	5	VD1.25-5B	FVD1.25-5B		5.3 (.209)	8.5 (.335)	23.3 (.917)	7.2 (.283)	0.8 (.031)									
1/4	6	VD1.25-6B	FVD1.25-6B		6.4 (.252)	13.5 (.531)	28.8(1.134)	11.7 (.461)	1.5 (.059)	500									
16 to 14 (1.04 to 2.63)	5-6	3.5	VD2-YS3B	FVD2-YS3B		3.7 (.146)	6.4 (.252)	19.2 (.756)	6.3 (.248)	0.8 (.031)	9.6 (.378)	4.1 (.161)	4.7 (.185)	0.8 (.031)	Blue	YNT-1614 YA-1 YA-2 YA-4 BCT-0514	1,000		
	5-6	3.5	VD2-T3B	FVD2-T3B		3.7 (.146)	7.5 (.295)	18.3 (.720)	5.2 (.205)	1.5 (.059)									
	5-6	3.5	VD2-S3B	FVD2-S3B		3.7 (.146)	8.5 (.335)	19.6 (.772)	7.2 (.283)	1.0 (.039)									
	5-6	3.5	VD2-3B	FVD2-3B		3.7 (.146)	8.5 (.335)	21.8 (.858)	7.2 (.283)	1.5 (.059)									
	8	4	VD2-T4B	FVD2-T4B		4.3 (.169)	7.5 (.295)	18.3 (.720)	5.2 (.205)	1.0 (.039)									
	8	4	VD2-S4B	FVD2-S4B		4.3 (.169)	8.5 (.335)	19.6 (.772)	7.2 (.283)	1.5 (.059)									
	8	4	VD2-E4B	FVD2-E4B		4.3 (.169)	8.5 (.335)	20.0 (.787)	7.3 (.287)	1.0 (.039)									
	8	4	VD2-4B	FVD2-4B		4.3 (.169)	8.5 (.335)	21.8 (.858)	7.3 (.287)	1.5 (.059)									
	10	5	VD2-5B	FVD2-5B		5.3 (.209)	8.5 (.335)	21.8 (.858)	7.3 (.287)	1.5 (.059)									
1/4	6	VD2-6B	FVD2-6B		6.4 (.252)	13.5 (.531)	28.8(1.134)	11.7 (.461)	1.5 (.059)	500									
12 to 10 (2.63 to 6.64)	5-6	3.5	VD5.5-S3B	FVD5.5-S3B		3.7 (.146)	7.6 (.299)	25.2 (.992)	6.2 (.244)	1.5 (.059)	14.0 (.551)	5.7 (.224)	6.5 (.256)	1.0 (.039)	Yellow	YNT-1210S YA-4 BCT-0514	500		
	5-6	3.5	VD5.5-3B	FVD5.5-3B		3.7 (.146)	8.5 (.335)	26.7(1.051)	7.5 (.295)										
	8	4	VD5.5-S4B	FVD5.5-S4B		4.3 (.169)	7.6 (.299)	25.2 (.992)	6.2 (.244)										
	8	4	VD5.5-4B	FVD5.5-4B		4.3 (.169)	8.5 (.335)	26.7(1.051)	7.5 (.295)										
	10	5	VD5.5-S5B	FVD5.5-S5B		5.3 (.209)	7.6 (.299)	25.2 (.992)	6.2 (.244)										
	10	5	VD5.5-5B	FVD5.5-5B		5.3 (.209)	8.5 (.335)	26.7(1.051)	7.5 (.295)										
	10	5	VD5.5-E5B	FVD5.5-E5B		5.3 (.209)	9.5 (.374)	24.7 (.972)	7.5 (.295)										
	1/4	6	VD5.5-6B	FVD5.5-6B		6.4 (.252)	13.5 (.531)	33.7(1.367)	12.2 (.480)								1.5 (.059)	250	

- Note: 1) The part numbers indicated in the above table are for products with a brazed seam.
 When ordering products with a butted seam, add the prefix "WS" to the part number (ex. FVD2-4B → **FVDWS2-4B**).
 2) To order products with nylon insulation, change the "V" in the part number prefix to "N" (ex. VD2-4B → **ND2-4B**).
 Because nylon absorbs moisture, care must be taken concerning storage.
 3) Delivery lead times may vary depending on the product. Contact JST for details.

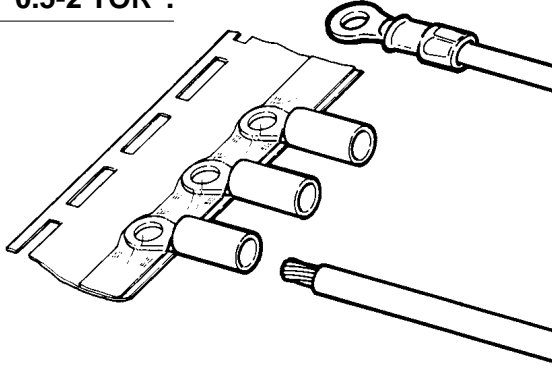


RING TONGUE TERMINAL

Terminals mounted on transparent tape can be crimped efficiently by a specially-designed automatic crimping machine. In addition, high uniform crimping is ensured since the terminals are crimped at a fixed position.

To identify tape-mounted terminals, "TOR" is affixed to the parts numbers of non-taped terminals.

Ordering example: "0.5-2 TOR".



Order No.	Q'ty/reel	Die set No.		
0.5-2 TOR	1,000	3H-2622		
0.5-3 TOR				
0.5-3.7 TOR				
0.5-4 TOR				
V0.5-3 TOR	1,000	3V-2622N		
V0.5-3.7 TOR				
V0.5-4 TOR				
V0.5-5 TOR				
FV0.5-3 TOR	1,000	3V-2622N		
FV0.5-3.7 TOR				
FV0.5-4 TOR				
FV0.5-5 TOR				
N0.5-3 TOR	1,000	3V-2622N		
FVD0.5-3 TOR	1,000	3V-2622N		
FVD0.5-4 TOR	1,000	3H-2216		
1.25-3 TOR				
1.25-3.7 TOR				
1.25-MS3 TOR				
1.25-M3 TOR				
1.25-L3 TOR				
1.25-M4 TOR				
1.25-4 TOR				
1.25-5 TOR				
1.25-6 TOR				
1.25-8 TOR				
1.25-10 TOR				
V1.25-3 TOR			1,000	3V-2216N
V1.25-3.7 TOR				
V1.25-MS3 TOR				
V1.25-L3 TOR				
V1.25-M4 TOR				
V1.25-4 TOR				
V1.25-5 TOR				
V1.25-6 TOR				

Note:1) Delivery lead times may vary depending on the product.
Contact JST for details.

Order No.	Q'ty/reel	Die set No.
FV1.25-3 TOR	1,000	3V-2216N
FV1.25-3.7 TOR		
FV1.25-MS3 TOR		
FV1.25-M3 TOR		
FV1.25-L3 TOR		
FV1.25-M4 TOR		
FV1.25-4 TOR		
FV1.25-5 TOR		
FV1.25-6 TOR		
FV1.25-8 TOR		
FV1.25-10 TOR	1,000	3V-2216N
FVX1.25-5 TOR		
FVX1.25-10 TOR	1,000	3V-2216N
FVL1.25-3 TOR		
FVL1.25-3.7 TOR		
FVL1.25-MS3 TOR		
FVL1.25-M3 TOR		
FVL1.25-M4 TOR		
FVL1.25-4 TOR		
FVL1.25-5 TOR	1,000	3V-2216N
N1.25-3.7 TOR		
N1.25-MS3 TOR		
N1.25-M3 TOR		
N1.25-M4 TOR	1,000	3V-2216N
FN1.25-3 TOR		
FN1.25-4 TOR	1,000	3V-2216D
VD1.25-4 TOR		
VD1.25-5 TOR		
VD1.25-6 TOR		
VD1.25-10 TOR		
FVD1.25-3 TOR		
FVD1.25-3.7 TOR		
FVD1.25-MS3 TOR		
FVD1.25-M3 TOR		
FVD1.25-M4 TOR		
FVD1.25-4 TOR		
FVD1.25-5 TOR		
FVD1.25-6 TOR		

Note:1) Delivery lead times may vary depending on the product.
Contact JST for details.



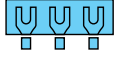
Order No.	Q'ty/reel	Die set No.
FND1.25-2 TOR	1,000	3V-2216D
FND1.25-M3 TOR		
FND1.25-5 TOR		
FND1.25-6 TOR		
FND1.25-8 TOR		
FND1.25-10 TOR		
2-S3.3 TOR	1,000	3H-1614
2-S3 TOR		
2-MS3 TOR		
2-M3 TOR		
2-3 TOR		
2-M4 TOR		
2-4 TOR		
2-M5 TOR		
2-5 TOR		
2-6 TOR		
2-8 TOR		
2-9 TOR		
V2-S3 TOR	1,000	3V-1614N
V2-MS3 TOR		
V2-M3 TOR		
V2-3 TOR		
V2-M4 TOR		
V2-P4 TOR		
V2-4 TOR		
V2-M5 TOR		
V2-5 TOR		
V2-6 TOR		
V2-8 TOR		
FV2-S3.3 TOR	1,000	3V-1614N
FV2-S3 TOR		
FV2-MS3 TOR		
FV2-M3 TOR		
FV2-3 TOR		
FV2-M4 TOR		
FV2-P4 TOR		
FV2-4 TOR		
FV2-M5 TOR		
FV2-5 TOR		
FV2-6 TOR		
FV2-8 TOR		
FVX2-P3.5 TOR	1,000	3V-1614N
FVL2-S3.3 TOR	1,000	3V-1614N
FVL2-MS3 TOR		
FVL2-M3 TOR		
FVL2-P3.5 TOR		
FVL2-3 TOR		
FVL2-M4 TOR		
FVL2-4 TOR		
FVL2-M5 TOR		
FVL2-5 TOR		
FVL2-6 TOR		
N2-M4 TOR	1,000	3V-1614N

Note:1) Delivery lead times may vary depending on the product.
Contact JST for details.

Order No.	Q'ty/reel	Die set No.
FVD2-S3 TOR	1,000	3V-1614D
FVD2-M3 TOR		
FVD2-M4 TOR		
FVD2-4 TOR		
FVD2-M5 TOR		
FVD2-5 TOR		
FVD2-6 TOR		
FVD2-8 TOR		
FND2-S3 TOR		
FND2-M3 TOR		
FND2-8 TOR	1,000	3H-1210N
5.5-S3 TOR		
5.5-3 TOR		
5.5-S4 TOR		
5.5-4 TOR		
5.5-5 TOR		
5.5-6 TOR	500	
5.5-S6 TOR		
5.5-8 TOR		
5.5-9 TOR	500	3V-1210N
V5.5-S3 TOR		
V5.5-S4 TOR		
V5.5-4 TOR		
V5.5-5 TOR		
V5.5-6 TOR		
V5.5-8 TOR	500	3V-1210N
FV5.5-S3 TOR		
FV5.5-3 TOR		
FV5.5-S4 TOR		
FV5.5-4 TOR		
FV5.5-5 TOR		
FV5.5-6 TOR	500	3V-1210N
FV5.5-S6 TOR		
FV5.5-S8 TOR		
FVX5.5-S4 TOR		
FVX5.5-5 TOR		
FVX5.5-8 TOR		
FVL5.5-S3 TOR	500	3V-1210N
FVL5.5-S4 TOR		
FVL5.5-4 TOR		
FVL5.5-5 TOR		
FVL5.5-6 TOR		
N5.5-S4 TOR		
N5.5-4 TOR	500	3V-1210N
N5.5-5 TOR		
N5.5-8 TOR		
VD5.5-S3 TOR	500	3V-1210N
VD5.5-S4 TOR		
VD5.5-4 TOR		
VD5.5-5 TOR	500	3V-1210N
FVD5.5-S4 TOR		
FVD5.5-4 TOR		
FVD5.5-5 TOR		
FVD5.5-6 TOR		
FVD5.5-S8 TOR		
FND5.5-10 TOR	500	3V-1210N

Note:1) Delivery lead times may vary depending on the product.
Contact JST for details.

Tape-on terminals/splices

SPADE TONGUE TERMINAL

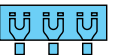
Order No.	Q'ty/reel	Die set No.		
1.25-B3A TOR	1,000	3H-2216		
1.25-YS3A TOR				
1.25-S3A TOR				
1.25-N3A TOR				
1.25-M3A TOR				
1.25-YS4A TOR				
1.25-S4A TOR				
1.25-4A TOR				
1.25-5A TOR				
1.25-M5A TOR				
1.25-C3A TOR				
V1.25-B3A TOR			1,000	3V-2216N
V1.25-YS3A TOR				
V1.25-S3A TOR				
V1.25-YS4A TOR				
V1.25-S4A TOR				
V1.25-4A TOR				
V1.25-5A TOR	1,000	3V-2216N		
FV1.25-YS3A TOR				
FV1.25-S3A TOR				
FV1.25-YS4A TOR				
FV1.25-S4A TOR	1,000	3V-2216N		
FN1.25-S4A TOR	1,000	3V-2216N		
FVL1.25-YS3A TOR	1,000	3V-2216N		
FVL1.25-P3A TOR				
FVL1.25-S4A TOR				

Note:1) Delivery lead times may vary depending on the product.
Contact JST for details.

Order No.	Q'ty/reel	Die set No.
VD1.25-4A TOR	1,000	3V-2216D
FVD1.25-B3A TOR	1,000	3V-2216D
FVD1.25-YS3A TOR		
FVD1.25-S3A TOR		
FVD1.25-S4A TOR		
FND1.25-5A TOR	1,000	3H-2216D
2-N3A TOR	1,000	3H-1614
2-YS3A TOR		
2-YS4A TOR		
2-S4A TOR		
2-4A TOR		
2-5A TOR		
V2-YS3A TOR	1,000	3V-1614N
V2-4A TOR	1,000	3V-1614N
FV2-YS3A TOR		
FV2-S3A TOR		
FV2-4A TOR		
FV2-5A TOR	1,000	3V-1614D
FVD2-4A TOR	1,000	3H-1210N
5.5-S3A TOR		
5.5-S4A TOR		
5.5-5A TOR	500	3V-1210N
FV5.5-S3A TOR		
FV5.5-5A TOR		
FVL5.5-S3A TOR	500	3V-1210N

Note:1) Delivery lead times may vary depending on the product.
Contact JST for details.

Tape-on terminals/splices

FLANGED SPADE TONGUE TERMINAL

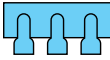
Order No.	Q'ty/reel	Die set No.
1.25-S3B TOR	1,000	3H-2216
1.25-S4B TOR		
V1.25-S3B TOR	1,000	3V-2216N
V1.25-S4B TOR		
FND1.25-S3B TOR	1,000	3V-2216D
2-S4B TOR	1,000	3H-1614
2-T4B TOR		
FV2-S3B TOR	1,000	3V-1614N
N2-T4B TOR	1,000	3V-1614N

Note:1) Delivery lead times may vary depending on the product.
Contact JST for details.

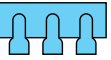
Order No.	Q'ty/reel	Die set No.
FVD2-T3B TOR	1,000	3V-1614D
5.5-S4B TOR	1,000	3H-1210N
5.5-S5B TOR		
5.5-5B TOR		
V5.5-S4B TOR	500	3V-1210N
FV5.5-3B TOR	500	3V-1210N
FV5.5-4B TOR		
N5.5-S4B TOR	500	3V-1210N
FVX5.5-S4B TOR	500	3V-1210N

Note:1) Delivery lead times may vary depending on the product.
Contact JST for details.

Tape-on terminals/splices



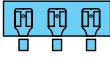
CLOSED-END SPLICE



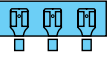
Order No.	Q'ty/reel	Die set No.
1-SD TOR	500	3S-2218D
2-SD TOR		3S-1614D
5.5-SD TOR	400	3S-1210D
CE1 TOR	500	3S-2218D
CE2 TOR		3S-1614D
CE5 TOR	400	3S-1210D

Note:1) Delivery lead times may vary depending on the product.
Contact JST for details.

Tape-on terminals/splices



QUICK DISCONNECT TERMINAL *Vinyl-insulated with copper sleeve*



Order No.	Q'ty/reel	Die set No.
FVDDF1.25-110A-5 TOR	1,000	3V-2216N
FVDDF1.25-110A-8 TOR		
FVDDF1.25-187A-5 TOR		
FVDDF1.25-187A-8 TOR		
FVDDF2-187A-5 TOR	1,000	3V-1614N
FVDDF2-205A-8 TOR		
FVDDF1.25-250A TOR	1,000	3V-2216N
FVDDF2-250A TOR	1,000	3V-1614N
FVDDF5.5-250A TOR	500	3V-1210N
FVDDF1.25-250B TOR	1,000	3V-2216N
FVDDF2-250B TOR	1,000	3V-1614N
FVDDF5.5-250B TOR	500	3V-1210N
FVZDF1.25-110A-5 TOR	1,000	3V-2216N
FVZDF1.25-110A-8 TOR		
FVZDF1.25-187A-5 TOR		
FVZDF1.25-187A-8 TOR		
FVZDF1.25-250A TOR	1,000	3V-1614N
FVZDF2-187A-5 TOR		
FVZDF2-187A-8 TOR		
FVZDF2-250A TOR		

Note:1) Delivery lead times may vary depending on the product.
Contact JST for details.

Order No.	Q'ty/reel	Die set No.
LVDDF1.25-187A-5 TOR	500	3V-2216N
LVDDF1.25-187A-8 TOR		
LVDDF2-187A-5 TOR	500	3V-1614N
LVDDF2-187A-8 TOR		
LVDDF1.25-250A TOR	500	3V-2216N
LVDDF2-250A TOR	500	3V-1614N
LVDDF5.5-250A TOR	500	3V-1210N
FLVDDF1.25-187A-5 TOR	500	3V-2216N
FLVDDF1.25-187A-8 TOR		
FLVDDF2-187A-5 TOR	500	3V-1614N
FLVDDF2-187A-8 TOR		
FLVDDF1.25-250A TOR	500	3V-2216N
FLVDDF2-250A TOR	500	3V-1614N
FLVZDF1.25-187A-5 TOR	500	3V-2216N
FLVZDF1.25-187A-8 TOR		
FLVZDF2-187A-5 TOR	500	3V-1614N
FLVZDF2-187A-8 TOR		
FLVZDF1.25-250A TOR	500	3V-2216N
FLVZDF2-250A TOR	500	3V-1614N
FVDDM1.25-250 TOR	1,000	3V-2216N
FVDDM2-250 TOR	1,000	3V-1614N

Note:1) Delivery lead times may vary depending on the product.
Contact JST for details.