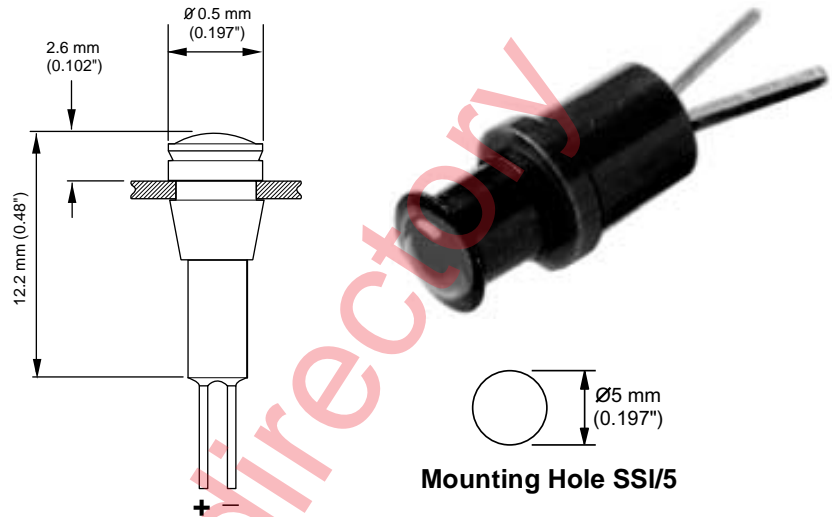


Sub-Miniature Cone Lock Indicator Lamp
Single Chip LED
Push Fit
IP67 - Ø5.0
Features

- Self sealing indicator sealed to IP67;
- For high density applications;
- Fast, easy push fit mounting;
- Optional black anodised body.


Ordering Information and Technical Characteristics (Ta = 25°C)

Ordering Information	Colour	Lens Type	Forward Voltage	Current (mA)	Luminous Intensity	Reverse Voltage	Viewing Angle	Operating Temp	Storage Temp			
SSI/5/RD		Coloured	2.1	20	1	5	80°	-40	-40			
SSI/5/AR			2.1	20	1.5	5						
SSI/5/GN			2.1	20	1.5	5						
SSI/5/REF1/RD			2.1	20	1	5						
SSI/5/REF1/AR			2.1	20	1.5	5						
SSI/5/REF1/GN			2.1	20	1.5	5						
SSI/5/REF1/RD			2.1	20	1	5						
SSI/5/REF1/AR			2.1	20	1.5	5						
SSI/5/REF1/GN			2.1	20	1.5	5						
SSI/5/REF1/RD			Lens	2.1	20	1				5	+85	+85
SSI/5/REF1/AR			2.1	20	1.5	5						
SSI/5/REF1/GN			2.1	20	1.5	5						
SSI/5/RD			2.1	20	1	5						
SSI/5/AR			2.1	20	1.5	5						
			V	mA	mcd	V		°C	°C			

Mean time before failure 90,000 hrs

For optional black anodised body include BB within the part number. E.G. SSIBB/5/
Customer specials available on request.