

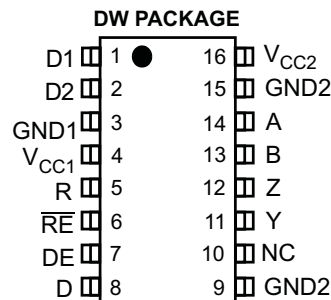


Isolated 5V RS-485 Transceiver With Integrated Transformer Driver

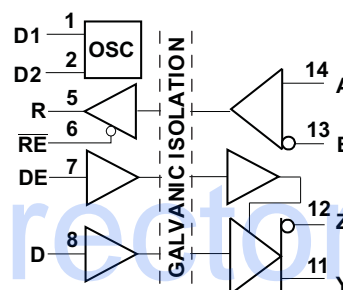
Check for Samples: [ISO3086T](#)

FEATURES

- 3000 V_{RMS} / 4242 V_{PK} Isolation
- Bus-Pin ESD Protection
 - 11 kV HBM Between Bus-Pins and GND2
 - 6 kV HBM Between Bus-Pins and GND1
- 1/8 Unit Load – Up to 256 Nodes on a Bus
- Designed for RS-485 and RS-422 Applications
- Signaling Rates up to 20 Mbps
- Thermal Shutdown Protection
- Typical Efficiency > 60% (I_{LOAD} = 100 mA) - see [SLUU469](#)
- Low Bus Capacitance 7 pF (Typ)
- 50 kV/μs Typical Transient Immunity
- UL 1577, IEC 60747-5-2 (VDE 0884, Rev. 2) Approvals Pending
- Fail-safe Receiver for Bus Open, Short, Idle
- Logic Inputs are 5-V Tolerant



FUNCTION DIAGRAM



APPLICATIONS

- Isolated RS-485/RS-422 Interfaces
- Factory Automation
- Motor/Motion Control
- HVAC and Building Automation Networks
- Networked Security Stations

DESCRIPTION

The ISO3086T is an isolated differential line transceiver with integrated oscillator outputs that provide the primary voltage for an isolation transformer. The device is a full-duplex differential line transceiver for RS-485 and RS-422 applications that can easily be configured for half-duplex operation by connecting pin 11 to pin 14, and pin 12 to pin 13.

These devices are ideal for long transmission lines since the ground loop is broken to allow for a much larger common-mode voltage range. The symmetrical isolation barrier of the device is tested to provide 3000 V_{RMS} or 4242 V_{PK} of isolation for 1 minute per VDE between the bus-line transceiver and the logic-level interface.

Any cabled I/O can be subjected to electrical noise transients from various sources. These noise transients can cause damage to the transceiver and/or near-by sensitive circuitry if they are of sufficient magnitude and duration. These isolated devices can significantly increase protection and reduce the risk of damage to expensive control circuits.

The ISO3086T is specified for use from –40°C to 85°C.



Please be aware that an important notice concerning availability, standard warranty, and use in critical applications of Texas Instruments semiconductor products and disclaimers thereto appears at the end of this data sheet.



These devices have limited built-in ESD protection. The leads should be shorted together or the device placed in conductive foam during storage or handling to prevent electrostatic damage to the MOS gates.

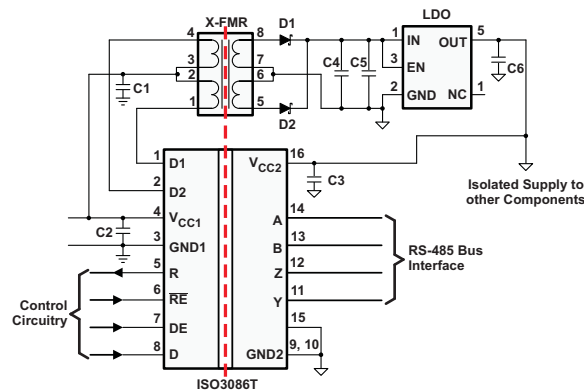


Figure 1. Typical Application Circuit (For Details See [SLUU469](#))

PIN DESCRIPTIONS

NAME	PIN No.	FUNCTION
D1	1	Transformer Driver Terminal 1, Open Drain Output
D2	2	Transformer Driver Terminal 2, Open Drain Output
GND1	3	Logic-side Ground
V _{CC1}	4	Logic-side Power Supply
R	5	Receiver Output
\overline{RE}	6	Receiver Enable Input. This pin has complementary logic.
DE	7	Driver Enable Input
D	8	Driver Input
GND2	9, 15	Bus-side Ground. Both pins are internally connected.
NC	10	No Connect. This pin is not connected to any internal circuitry.
Y	11	Non-inverting Driver Output
Z	12	Inverting Driver Output
B	13	Inverting Receiver Input
A	14	Non-inverting Receiver Input
V _{CC2}	16	Bus-side Power Supply

ABSOLUTE MAXIMUM RATINGS⁽¹⁾

				VALUE	UNIT	
V_{CC1}, V_{CC2}	Input supply voltage ⁽²⁾			-0.3 to 6	V	
V_A, V_B, V_Y, V_Z	Voltage at any bus I/O terminal (A, B, Y, Z)			-9 to 14	V	
V_{D1}, V_{D2}	Voltage at D1, D2			14	V	
$V_{(TRANS)}$	Voltage input, transient pulse through 100 Ω , see Figure 12 (A, B, Y, Z)			-50 to +50	V	
V_I	Voltage input at D, DE or \overline{RE} terminal			-0.5 to 7	V	
I_O	Receiver output current			± 10	mA	
I_{D1}, I_{D2}	Transformer Driver Output Current			450	mA	
ESD	Electrostatic discharge	Human Body Model	JEDEC Standard 22, Test Method A114-C.01	Bus pins and GND1	± 6	kV
				Bus pins and GND2	± 11	kV
				All pins	± 4	kV
		Charged Device Model	JEDEC Standard 22, Test Method C101	All pins	± 1.5	kV
					Machine Model	ANSI/ESDS5.2-1996
T_J	Maximum junction temperature			170	$^{\circ}\text{C}$	
T_{STG}	Storage temperature			-65 to 150	$^{\circ}\text{C}$	

- (1) Stresses beyond those listed under "Absolute Maximum Ratings" may cause permanent damage to the device. These are stress ratings only and functional operation of the device at these or any other conditions beyond those indicated under "recommended operating conditions" is not implied. Exposure to absolute-maximum-rated conditions for extended periods may affect device reliability.
- (2) All voltage values except differential I/O bus voltages are with respect to network ground terminal and are peak voltage values.

RECOMMENDED OPERATING CONDITIONS

		MIN	TYP	MAX	UNIT		
V_{CC1}	Logic-side supply voltage	3.3 V Operation		3	3.3	3.6	V
		5 V Operation		4.5	5	5.5	
V_{CC2}	Bus-side supply voltage	4.5	5	5.5		V	
V_I or V_{IC}	Voltage at any bus terminal (separately or common-mode)	-7		12		V	
V_{IH}	High-level input voltage	\overline{RE}		2	V_{CC1}	V	
		D, DE		$0.7 V_{CC1}$			
V_{IL}	Low-level input voltage	\overline{RE}		0	0.8	V	
		D, DE			$0.3 V_{CC1}$		
V_{ID}	Differential input voltage	A with respect to B		-12	12	V	
		Dynamic		See Figure 15			
R_L	Differential load resistance	54	60			Ω	
I_O	Output Current	Driver		-60	60	mA	
		Receiver		-8	8		
T_A	Ambient temperature	-40		85		$^{\circ}\text{C}$	
T_J	Operating junction temperature	-40		150		$^{\circ}\text{C}$	
$1 / t_{UI}$	Signaling Rate			20		Mbps	

SUPPLY CURRENT and COMMON-MODE TRANSIENT IMMUNITY

over recommended operating conditions (unless otherwise noted)

PARAMETER		TEST CONDITIONS	MIN	TYP	MAX	UNIT
$I_{CC1}^{(1)}$	Logic-side quiescent supply current	DE and $\overline{RE} = 0V$ or V_{CC1} (Driver and Receiver Enabled or Disabled), D = 0 V or V_{CC1} , No load	$V_{CC1} = 3.3V \pm 10\%$	5	8	mA
			$V_{CC1} = 5V \pm 10\%$	7	12	
$I_{CC2}^{(1)}$	Bus-side quiescent supply current	$\overline{RE} = 0V$ or V_{CC1} , DE = 0 V (driver disabled), No load		10	15	mA
		$\overline{RE} = 0V$ or V_{CC1} , DE = V_{CC1} (driver enabled), D = 0 V or V_{CC1} , No Load		10	15	
CMTI	Common-mode transient immunity	See Figure 13 , $V_I = V_{CC1}$ or 0 V	25	50		kV/ μ s

(1) I_{CC1} and I_{CC2} are measured when device is connected to external power supplies, V_{CC1} and V_{CC2} . In this case, D1 and D2 are open and disconnected from external transformer.

DRIVER ELECTRICAL CHARACTERISTICS

over recommended operating conditions (unless otherwise noted)

PARAMETER		TEST CONDITIONS	MIN	TYP	MAX	UNIT	
$ V_{OD} $	Differential output voltage magnitude	$I_O = 0$ mA, no load	3	4.3	V_{CC2}	V	
		$R_L = 54\ \Omega$ (RS-485), See Figure 2	1.5	2.3			
		$R_L = 100\ \Omega$ (RS-422), See Figure 2	2	2.3			
		V_{test} from $-7V$ to $+12V$, See Figure 3	1.5				
$\Delta V_{OD} $	Change in magnitude of the differential output voltage	See Figure 2 and Figure 3	-0.2	0	0.2	V	
$V_{OC(SS)}$	Steady-state common-mode output voltage	Figure 4	1	2.6	3	V	
$\Delta V_{OC(SS)}$	Change in steady-state common-mode output voltage		-0.1		0.1	V	
$V_{OC(pp)}$	Peak-to-peak common-mode output voltage	See Figure 4		0.5		V	
I_I	Input current	D, DE, V_I at 0 V or V_{CC1}	-10		10	μ A	
I_{OZ}	High-impedance state output current, Y or Z pin	V_Y or $V_Z = 12V$, $V_{CC2} = 0V$ or 5 V, DE = 0 V	Other bus pin at 0 V		1	μ A	
		V_Y or $V_Z = -7V$, $V_{CC2} = 0V$ or 5 V, DE = 0 V			-1		
$I_{OS}^{(1)}$	Short-circuit output current	$-7V \leq V_Y$ or $V_Z \leq 12V$	Other bus pin at 0 V		-250	250	mA

(1) This device has thermal shutdown and output current limiting features to protect in short-circuit fault condition.

DRIVER SWITCHING CHARACTERISTICS

over recommended operating conditions (unless otherwise noted)

PARAMETER		TEST CONDITIONS	MIN	TYP	MAX	UNIT
t_{PLH} , t_{PHL}	Propagation delay	See Figure 5		25	45	ns
PWD ⁽¹⁾	Pulse width distortion ($ t_{PHL} - t_{PLH} $)		1	7.5		
t_r , t_f	Differential output signal rise time and fall time		7	15		
t_{PZH} , t_{PHZ}	Propagation delay, high-impedance-to-high-level output, Propagation delay, high-level-to-high-impedance output	See Figure 6 DE at 0 V		25	55	ns
t_{PLZ} , t_{PZL}	Propagation delay, low-level to high-impedance output, Propagation delay, high-impedance to low-level output	See Figure 7 , DE at 0 V		25	55	ns

(1) Also known as pulse skew

RECEIVER ELECTRICAL CHARACTERISTICS

over recommended operating conditions (unless otherwise noted)

PARAMETER		TEST CONDITIONS	MIN	TYP	MAX	UNIT
$V_{IT(+)}$	Positive-going input threshold voltage	$I_O = -8$ mA		-85	-10	mV
$V_{IT(-)}$	Negative-going input threshold voltage	$I_O = 8$ mA	-200	-115		mV
V_{hys}	Hysteresis voltage ($V_{IT+} - V_{IT-}$)			30		mV
V_{OH}	High-level output voltage	$V_{ID} = 200$ mV, $I_O = -8$ mA, See Figure 8	$V_{CC1} = 3.3$ V	$V_{CC1} - 0.4$	3.1	V
			$V_{CC1} = 5$ V	4	4.8	
V_{OL}	Low-level output voltage	$V_{ID} = 200$ mV, $I_O = 8$ mA, See Figure 8	$V_{CC1} = 3.3$ V	0.15	0.4	V
			$V_{CC1} = 5$ V	0.15	0.4	
$I_{O(Z)}$	High-impedance state output current	$V_O = 0$ or V_{CC1} , $\overline{RE} = V_{CC1}$	-1		1	μ A
I_A, I_B	Bus input current	Other input at 0 V	V_A or $V_B = 12$ V	40	100	μ A
			V_A or $V_B = 12$ V, $V_{CC2} = 0$	60	130	
			V_A or $V_B = -7$ V	-100	-40	
			V_A or $V_B = -7$ V, $V_{CC2} = 0$	-100	-30	
I_{IH}	High-level input current, \overline{RE}	$V_{IH} = 2$ V	-10		10	μ A
I_{IL}	Low-level input current, \overline{RE}	$V_{IL} = 0.8$ V	-10		10	
R_{ID}	Differential input resistance	A, B	96			k Ω
C_{ID}	Differential input capacitance	$V_I = 0.4 \sin(4E6\pi t) + 0.5$ V		7		pF

RECEIVER SWITCHING CHARACTERISTICS

over recommended operating conditions (unless otherwise noted)

PARAMETER		TEST CONDITIONS	MIN	TYP	MAX	UNIT
t_{PLH}, t_{PHL}	Propagation delay	See Figure 9		103	125	ns
$t_{sk(p)}$	Pulse skew ($ t_{PHL} - t_{PLH} $)		3	15		
t_r, t_f	Output signal rise and fall time		1			
t_{PHZ}, t_{PZH}	Propagation delay, high-level to high-impedance output Propagation delay, high-impedance to high-level output	See Figure 10 , DE at 0 V		11	22	ns
t_{PLZ}, t_{PZL}	Propagation delay, low-level to high-impedance output Propagation delay, high-impedance to low-level output	See Figure 11 , DE at 0 V		11	22	

TRANSFORMER DRIVER CHARACTERISTICS

over recommended operating conditions (unless otherwise noted)

PARAMETER		TEST CONDITIONS	MIN	TYP	MAX	UNIT
f_{OSC}	Oscillator frequency	$V_{CC1} = 5V \pm 10\%$, D1 and D2 connected to transformer	350	450	610	kHz
		$V_{CC1} = 3.3V \pm 10\%$, D1 and D2 connected to transformer	300	400	550	
R_{ON}	Switch on resistance	D1 and D2 connected to 50 Ω pull-up resistors		1	2.5	Ω
t_{rD}	D1, D2 output rise time	$V_{CC1} = 5V \pm 10\%$, see Figure 14 , ⁽¹⁾		80		ns
		$V_{CC1} = 3.3V \pm 10\%$, see Figure 14 , ⁽¹⁾		70		
t_{fD}	D1, D2 output fall time	$V_{CC1} = 5V \pm 10\%$, see Figure 14 , ⁽¹⁾		55		ns
		$V_{CC1} = 3.3V \pm 10\%$, see Figure 14 , ⁽¹⁾		80		
f_{St}	Startup frequency	$V_{CC1} = 2.4$ V, D1 and D2 connected to transformer		350		kHz
t_{BBM}	Break before make time delay	$V_{CC1} = 5V \pm 10\%$, see Figure 14 , ⁽¹⁾		38		ns
		$V_{CC1} = 3.3V \pm 10\%$, see Figure 14 , ⁽¹⁾		140		

⁽¹⁾ D1 and D2 connected to 50 Ω pull-up resistors

PARAMETER MEASUREMENT INFORMATION

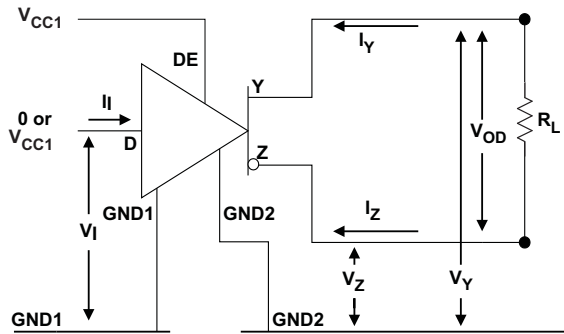


Figure 2. Driver V_{OD} Test and Current Definitions

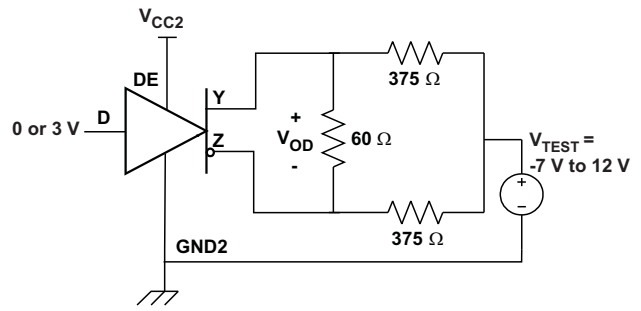


Figure 3. Driver V_{OD} With Common-Mode Loading Test Circuit

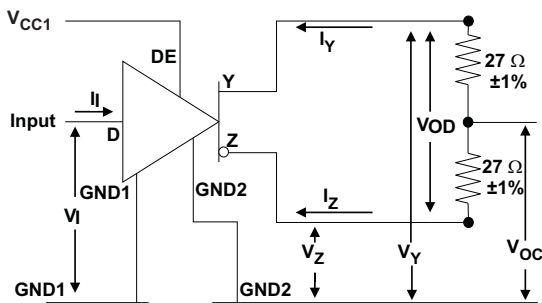
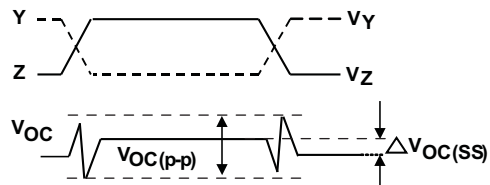
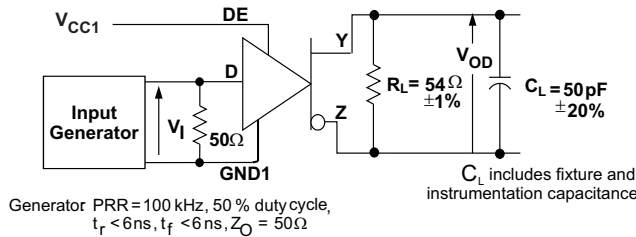


Figure 4. Test Circuit and Waveform Definitions For The Driver Common-Mode Output Voltage



Input Generator PRR = 100 kHz, 50% duty cycle, $t_r < 6ns$, $t_f < 6ns$, $Z_O = 50\Omega$



Generator PRR = 100 kHz, 50% duty cycle, $t_r < 6ns$, $t_f < 6ns$, $Z_O = 50\Omega$

C_L includes fixture and instrumentation capacitance

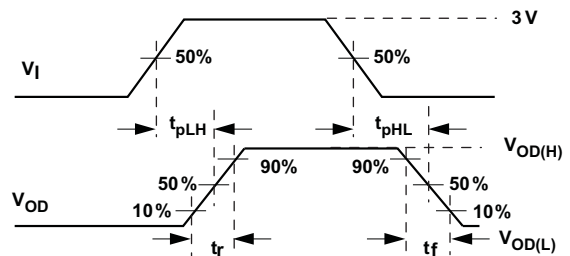
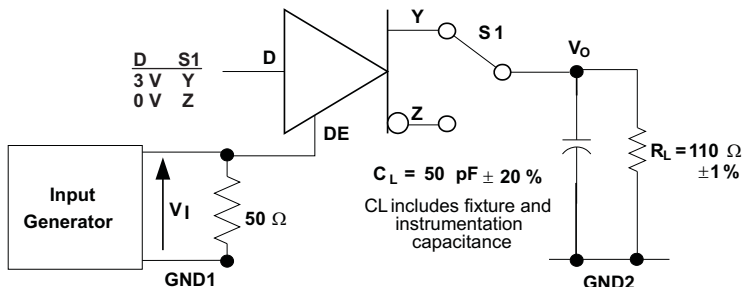


Figure 5. Driver Switching Test Circuit and Voltage Waveforms



Generator: PRR = 50 kHz, 50% duty cycle, $t_r < 6ns$, $t_f < 6ns$, $Z_O = 50\Omega$

$C_L = 50\text{ pF} \pm 20\%$
 C_L includes fixture and instrumentation capacitance

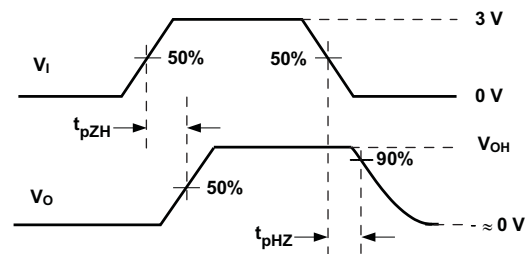


Figure 6. Driver High-Level Output Enable and Disable Time Test Circuit and Voltage Waveforms

PARAMETER MEASUREMENT INFORMATION (continued)

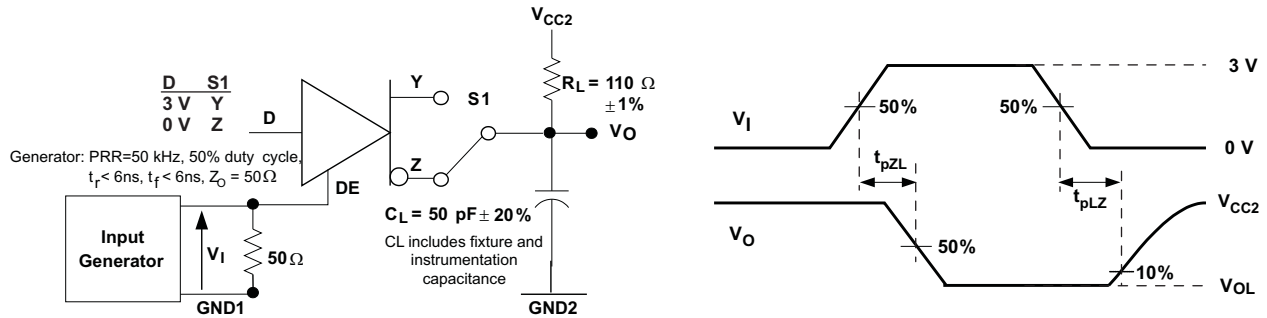


Figure 7. Driver Low-Level Output Enable and Disable Time Test Circuit and Voltage Waveform

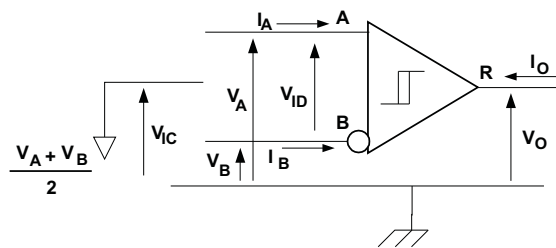


Figure 8. Receiver Voltage and Current Definitions

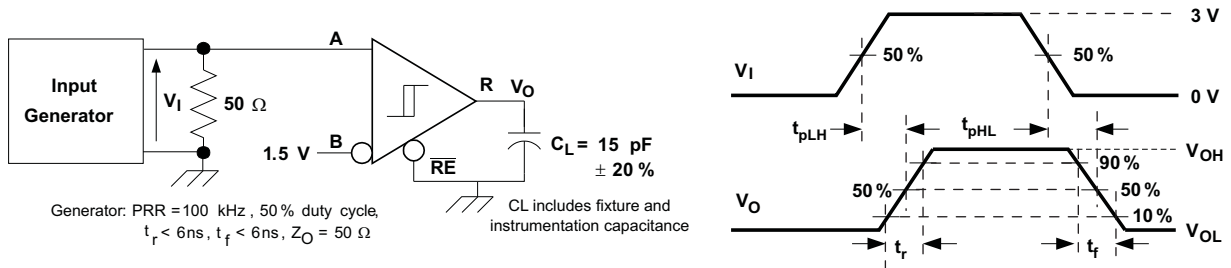


Figure 9. Receiver Switching Test Circuit and Waveforms

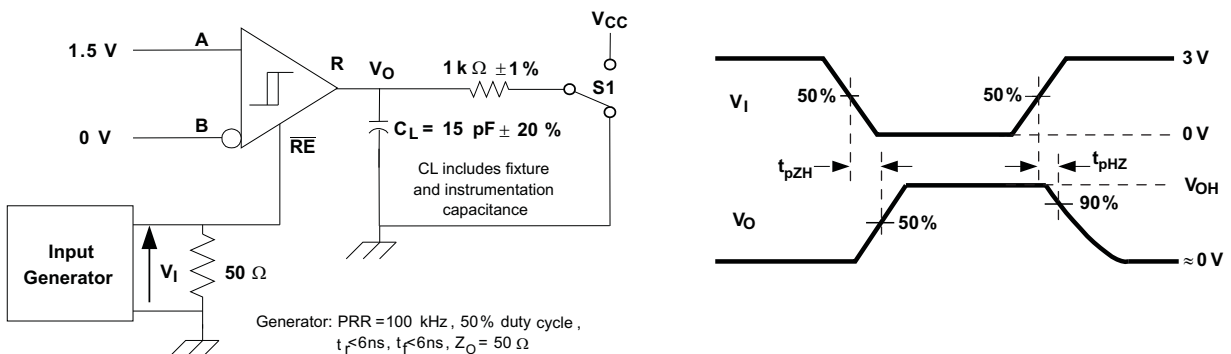


Figure 10. Receiver Enable Test Circuit and Waveforms, Data Output High

PARAMETER MEASUREMENT INFORMATION (continued)

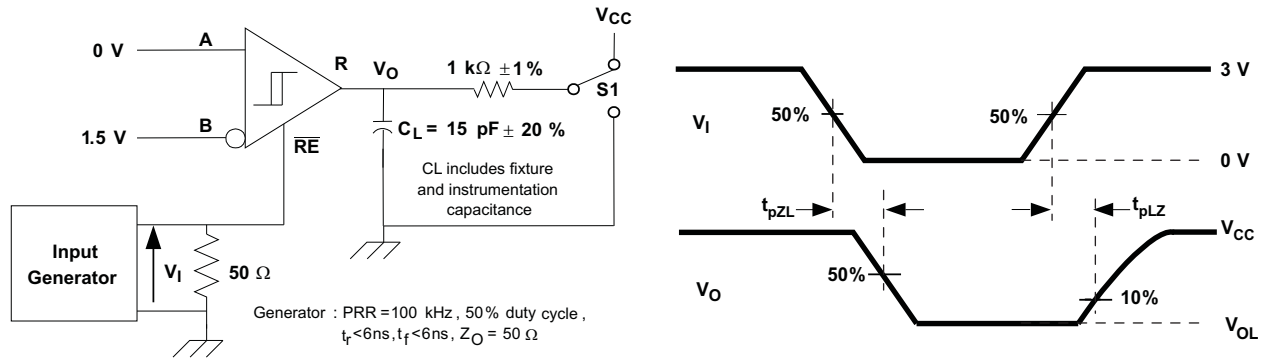


Figure 11. Receiver Enable Test Circuit and Waveforms, Data Output Low

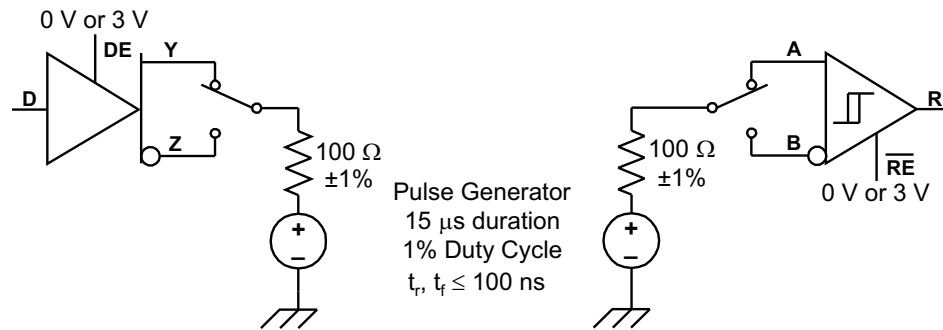


Figure 12. Transient Over-Voltage Test Circuit

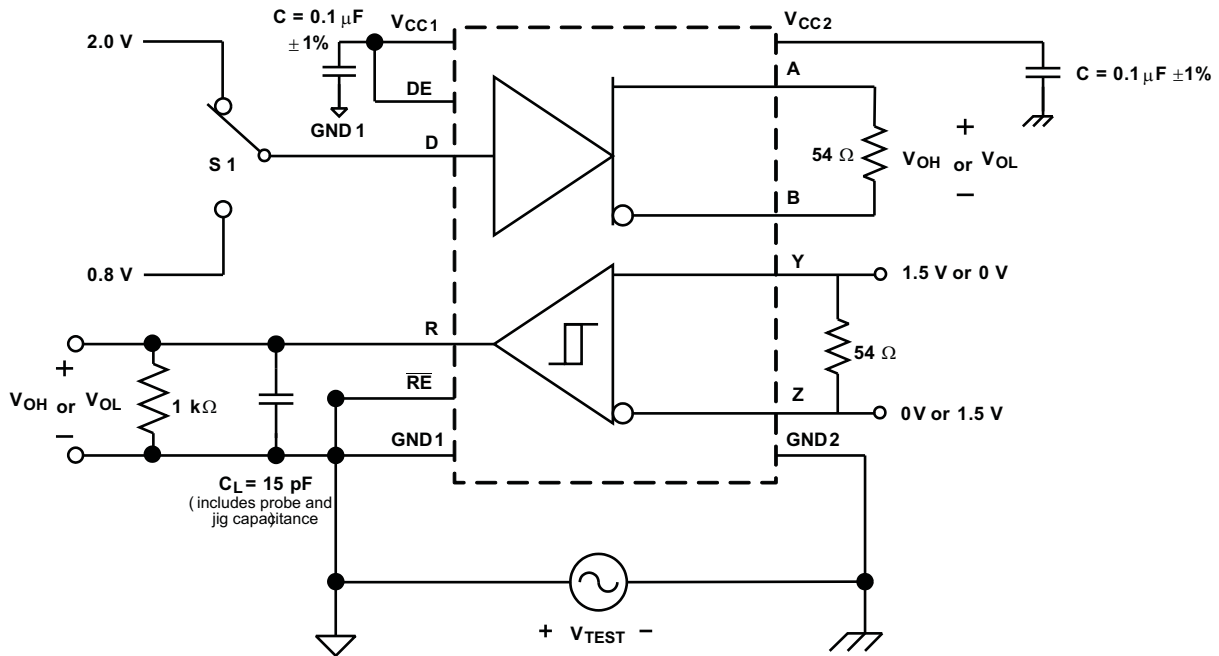


Figure 13. Common-Mode Transient Immunity Test Circuit

PARAMETER MEASUREMENT INFORMATION (continued)

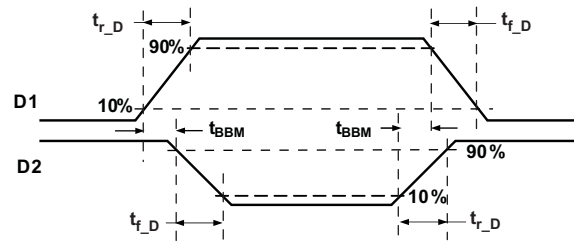


Figure 14. Transition Times and Break-Before-Make Time Delay for D1, D2 Outputs

DEVICE INFORMATION

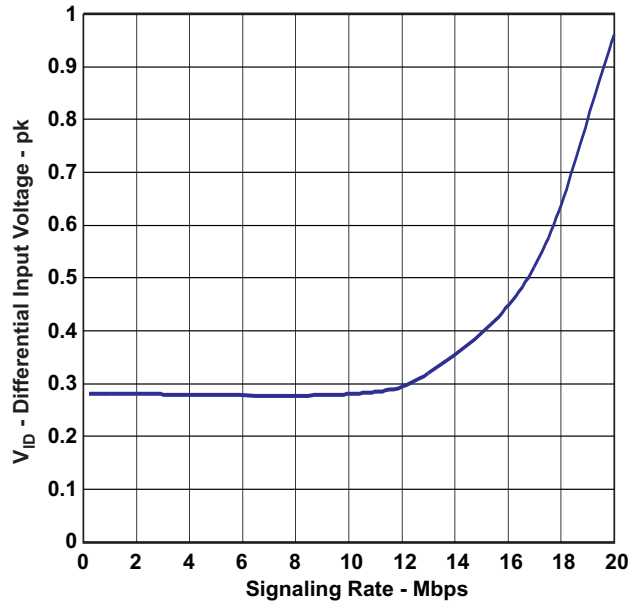


Figure 15. ISO3086T Recommended Minimum Differential Input Voltage vs Signaling Rate

Table 1. Driver Function Table⁽¹⁾

INPUT	ENABLE	OUTPUTS	
(D)	(DE)	Y	Z
H	H	H	L
L	H	L	H
X	L	hi-Z	hi-Z
X	OPEN	hi-Z	hi-Z
OPEN	H	H	L

(1) H = High Level, L = Low Level, X = Don't Care, hi-Z = High Impedance (off)

Table 2. Receiver Function Table⁽¹⁾

DIFFERENTIAL INPUT V _{ID} = (V _A - V _B)	ENABLE (RE)	OUTPUT (R)
-0.01 V ≤ V _{ID}	L	H
-0.2 V < V _{ID} < -0.01 V	L	?
V _{ID} ≤ -0.2 V	L	L
X	H	hi-Z
X	OPEN	hi-Z
Open circuit	L	H
Short Circuit	L	H
Idle (terminated) bus	L	H

(1) H = High Level, L = Low Level, X = Don't Care, hi-Z = High Impedance (Off), ? = Indeterminate

IEC INSULATION AND SAFETY RELATED SPECIFICATIONS FOR 16-DW PACKAGE

over recommended operating conditions (unless otherwise noted)

PARAMETER		TEST CONDITIONS	MIN	TYP	MAX	UNIT
L(I01)	Minimum air gap (Clearance ⁽¹⁾)	Shortest terminal to terminal distance through air	8.3			mm
L(I02)	Minimum external tracking (Creepage ⁽¹⁾)	Shortest terminal to terminal distance across the package surface	8.1			mm
CTI	Tracking resistance(Comparative Tracking Index)	DIN IEC 60112 / VDE 0303 Part 1	400			V
	Minimum Internal Gap (Internal Clearance)	Distance through the insulation	0.008			mm
R _{IO}	Isolation resistance	Input to output, V _{IO} = 500 V, all pins on each side of the barrier tied together creating a two-terminal device		>10 ¹²		Ω
C _{IO}	Barrier capacitance Input to output	V _I = V _{CC} /2 + 0.4 sin(2πft), f = 1 MHz, V _{CC} = 5 V		2		pF
C _I	Input capacitance to ground	V _{IO} = 0.4 sin(2πft), f = 1 MHz		2		pF

- (1) Creepage and clearance requirements should be applied according to the specific equipment isolation standards of an application. Care should be taken to maintain the creepage and clearance distance of a board design to ensure that the mounting pads of the isolator on the printed circuit board do not reduce this distance.

Creepage and clearance on a printed circuit board become equal according to the measurement techniques shown in the Isolation Glossary. Techniques such as inserting grooves and/or ribs on a printed circuit board are used to help increase these specifications.

IEC 60664-1 RATINGS TABLE

PARAMETER	TEST CONDITIONS	SPECIFICATION
Basic isolation group	Material group	II
Installation classification	Rated mains voltage ≤ 150 V _{RMS}	I-IV
	Rated mains voltage ≤ 300 V _{RMS}	I-III
	Rated mains voltage ≤ 400 V _{RMS}	I-II

IEC 60747-5-2 INSULATION CHARACTERISTICS⁽¹⁾

over recommended operating conditions (unless otherwise noted)

PARAMETER	TEST CONDITIONS	SPECIFICATION	UNIT
V _{IORM}	Maximum working insulation voltage	566	V _{PK}
V _{PR}	Input to output test voltage	Method b1, V _{PR} = V _{IORM} × 1.875, 100% Production test with t = 1 s, Partial discharge < 5 pC	1062
		Method a, After environmental tests subgroup 1, V _{PR} = V _{IORM} × 1.6, t = 10 s, Partial discharge < 5pC	906
		After Input/Output Safety Test Subgroup 2/3, V _{PR} = V _{IORM} × 1.2, t = 10 s, Partial discharge < 5 pC	680
V _{IOTM}	Maximum transient overvoltage	t = 60 s	4242
V _{IOSM}	Maximum surge voltage	Tested per IEC 60065 (Qualification Test)	4242
R _S	Insulation resistance	V _{IO} = 500 V at T _S	> 10 ⁹
	Pollution degree		2

- (1) Climatic Classification 40/125/21

REGULATORY INFORMATION

VDE	UL
Certified according to DIN EN / IEC 60747-5-2 (VDE 0884 Part 2)	Recognized under 1577 Component Recognition Program
Basic Insulation Maximum Transient Overvoltage, 4242 V _{PK} Maximum Surge Voltage, 4242 V _{PK} Maximum Working Voltage, 566 V _{PK}	Single / Basic Isolation Voltage, 2500 V _{RMS} ⁽¹⁾
File Number: 40016131 (Approval Pending)	File Number: E181974 (Approval Pending)

(1) Production tested ≥ 3000 V_{RMS} for 1 second in accordance with UL 1577.

IEC SAFETY LIMITING VALUES

Safety limiting intends to prevent potential damage to the isolation barrier upon failure of input or output circuitry. A failure of the IO can allow low resistance to ground or the supply. Without current limiting, sufficient power is dissipated to overheat the die; and, damage the isolation barrier—potentially leading to secondary system failures.

PARAMETER		TEST CONDITIONS		MIN	TYP	MAX	UNIT
I _S	Safety input, output, or supply current	DW-16	$\theta_{JA} = 80.5^{\circ}\text{C/W}$, V _I = 5.5 V, T _J = 170°C, T _A = 25°C			327	mA
T _S	Maximum case temperature					150	°C

The safety-limiting constraint is the absolute maximum junction temperature specified in the absolute maximum ratings table. The power dissipation and junction-to-air thermal impedance of the device installed in the application hardware determines the junction temperature. The assumed junction-to-air thermal resistance in the Thermal Characteristics table is that of a device installed on a High-K Test Board for Leaded Surface Mount Packages. The power is the recommended maximum input voltage times the current. The junction temperature is then the ambient temperature plus the power times the junction-to-air thermal resistance.

THERMAL INFORMATION

THERMAL METRIC ⁽¹⁾		ISO3086T		UNITS
		DW		
		16 PINS		
θ_{JA}	Junction-to-ambient thermal resistance	80.5		°C/W
$\theta_{JC(TOP)}$	Junction-to-case(top) thermal resistance	43.8		
θ_{JB}	Junction-to-board thermal resistance	49.7		
Ψ_{JT}	Junction-to-top characterization parameter	13.8		
Ψ_{JB}	Junction-to-board characterization parameter	41.4		
$\theta_{JC(BOTTOM)}$	Junction-to-case(bottom) thermal resistance	n/a		
P _D ⁽²⁾	V _{CC1} = V _{CC2} = 5.5V, T _J = 150°C, R _L = 54Ω, C _L = 50pF (Driver), C _L = 15pF (Receiver), Input a 10 MHz 50% duty cycle square wave to Driver and Receiver	490		mW

(1) For more information about traditional and new thermal metrics, see the *IC Package Thermal Metrics* application report, [SPRA953](#).

(2) P_D = Maximum device power dissipation

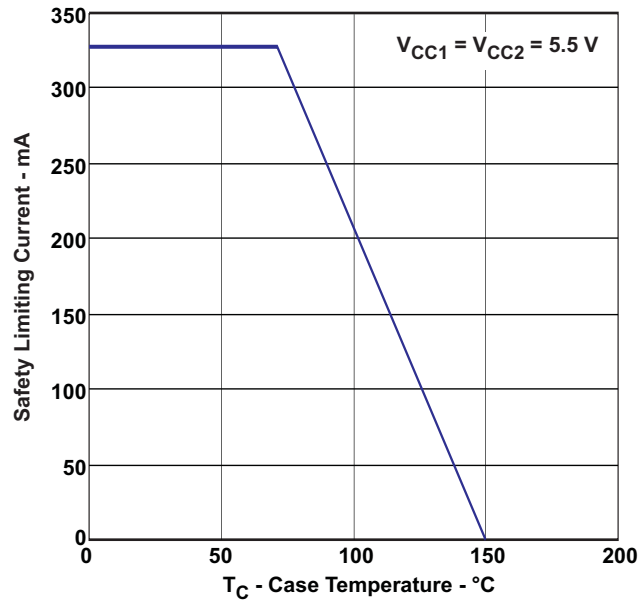


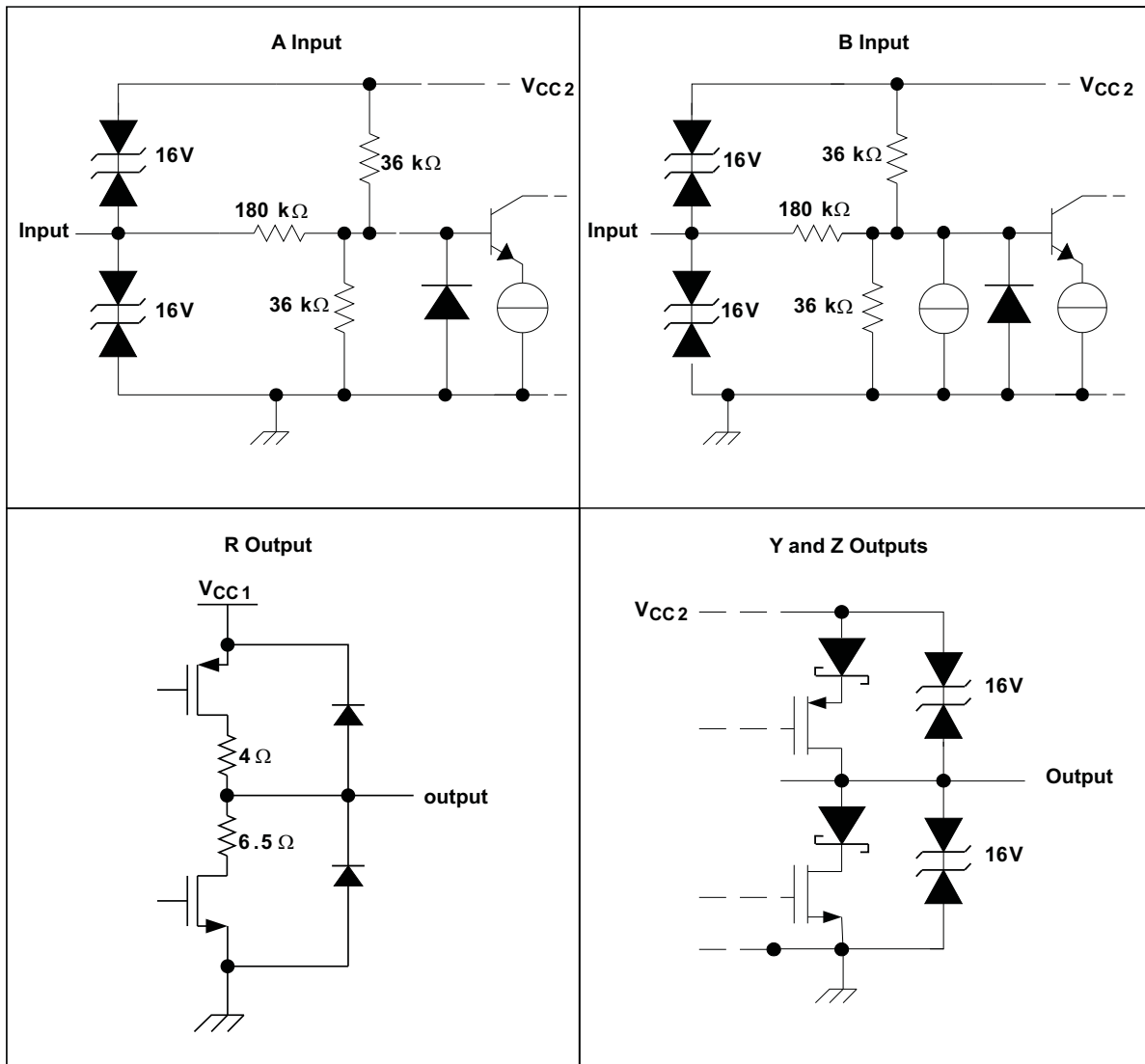
Figure 16. DW-16 θ_{JC} Thermal Derating Curve per IEC 60747-5-2

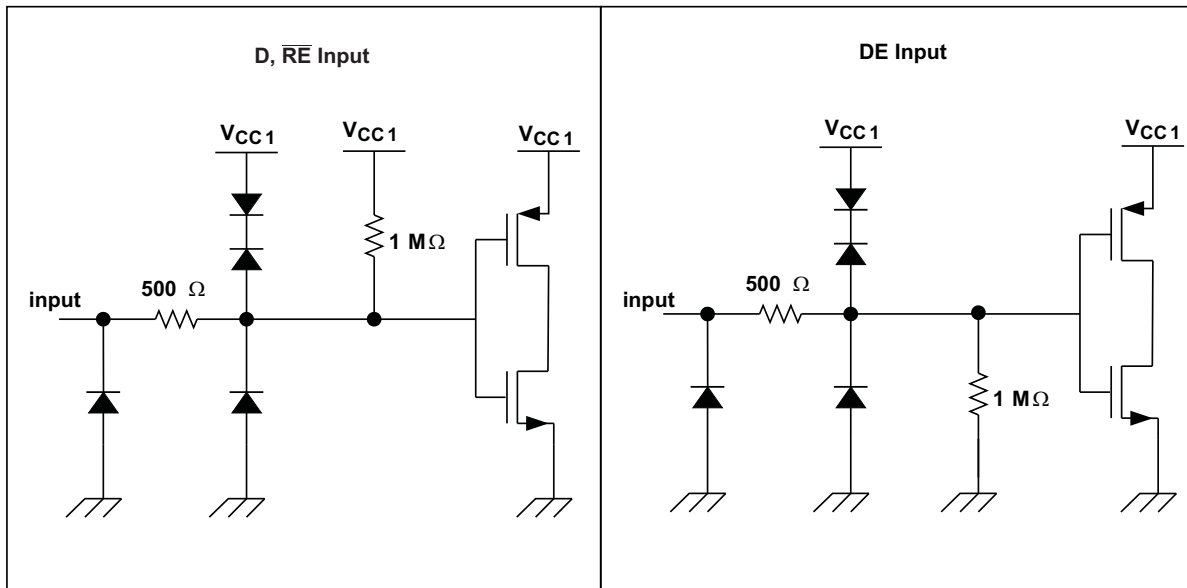
ISO3086T

SLLSE27C – JANUARY 2011 – REVISED JULY 2011

www.ti.com

EQUIVALENT CIRCUIT SCHEMATICS





TYPICAL CHARACTERISTICS

SUPPLY CURRENT
vs
SIGNALING RATE (NO LOAD)

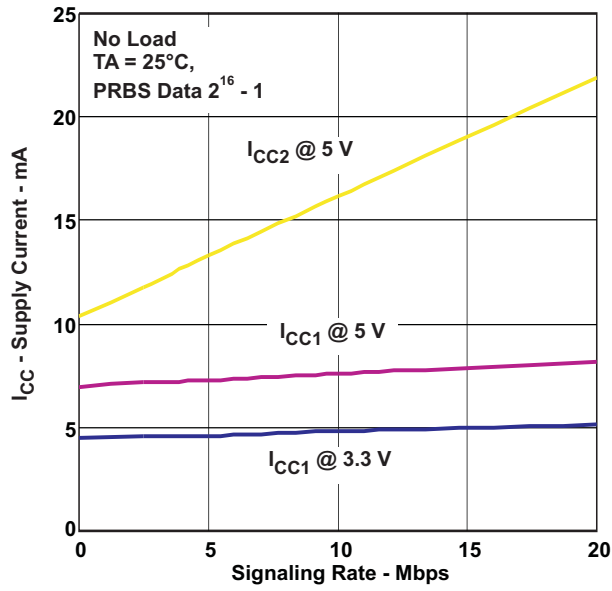


Figure 17.

SUPPLY CURRENT
vs
SIGNALING RATE (WITH LOAD)

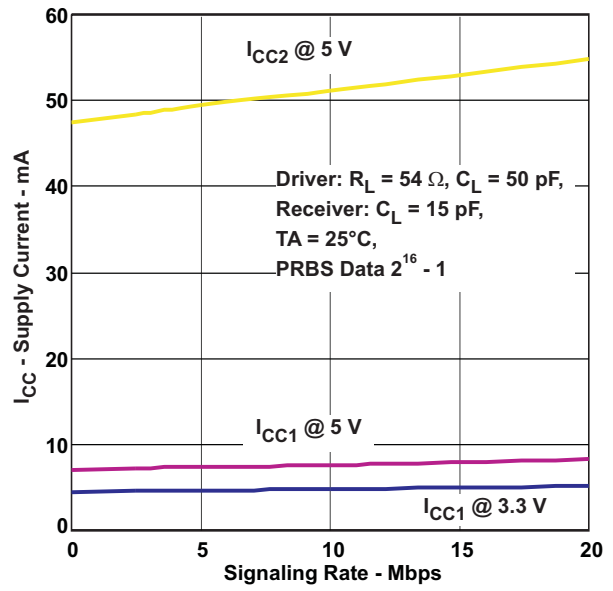


Figure 18.

DRIVER PROPAGATION DELAY
vs
FREE-AIR TEMPERATURE

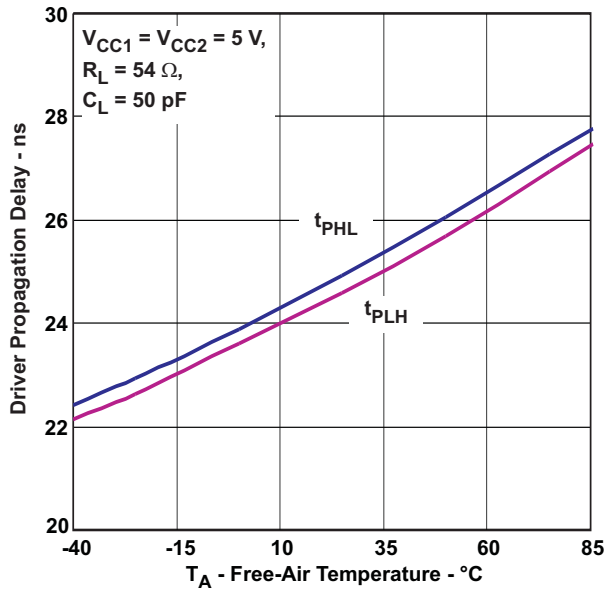


Figure 19.

DRIVER PROPAGATION DELAY
vs
FREE-AIR TEMPERATURE

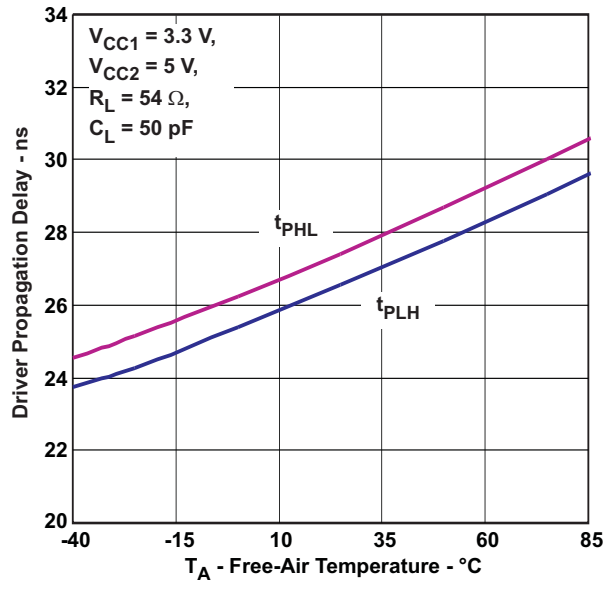


Figure 20.

TYPICAL CHARACTERISTICS (continued)

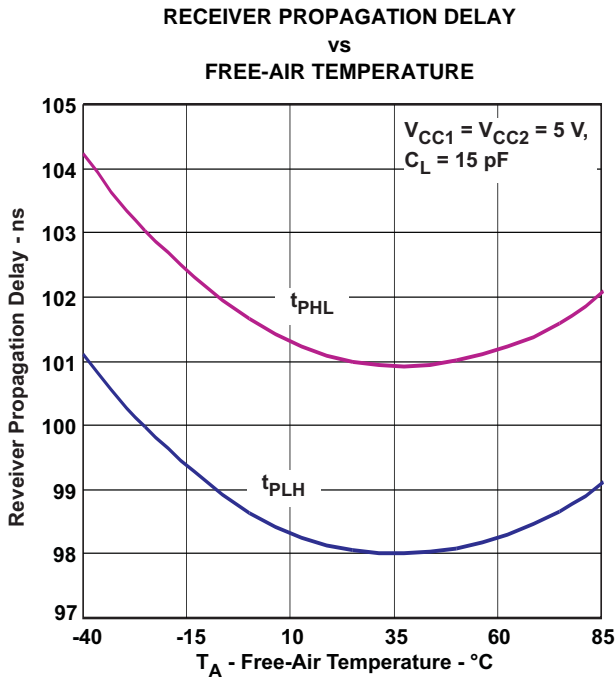


Figure 21.

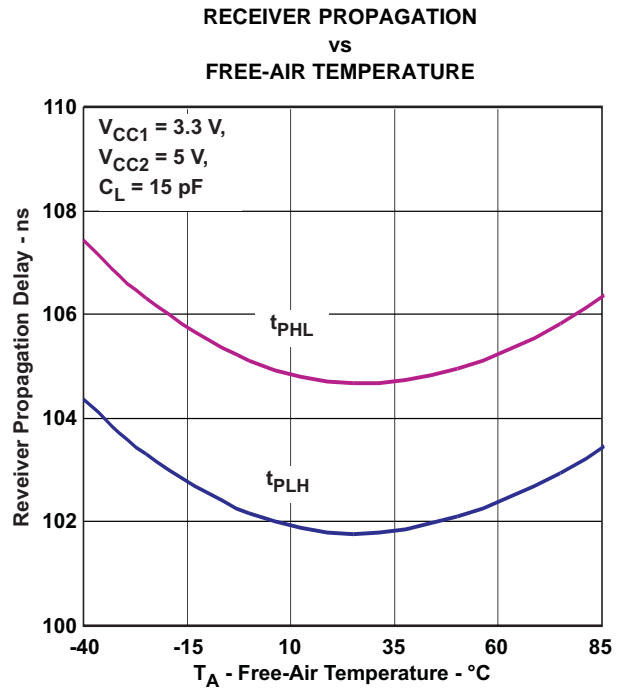


Figure 22.

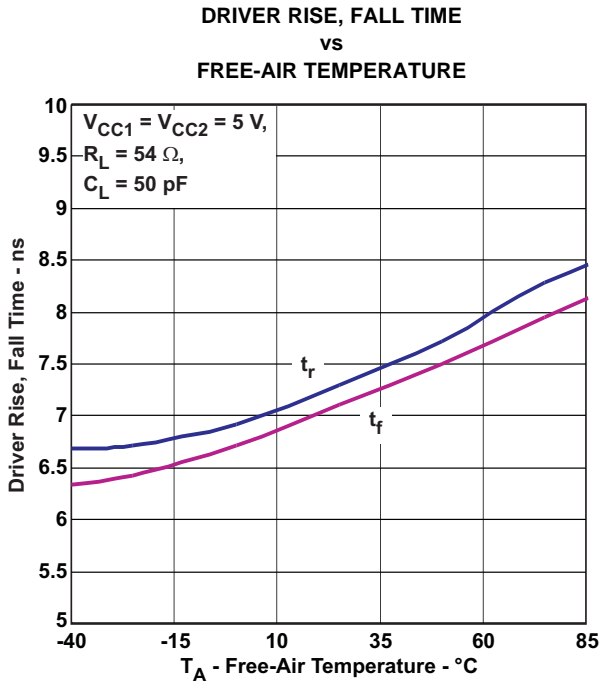


Figure 23.

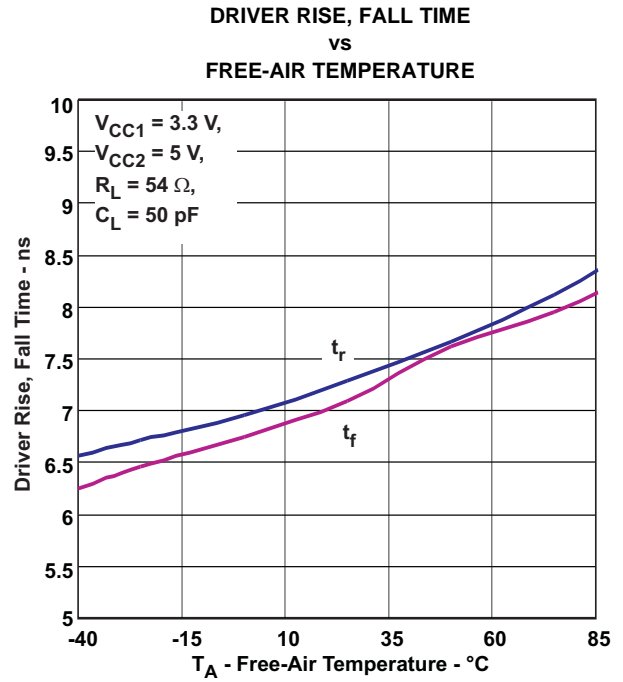


Figure 24.

TYPICAL CHARACTERISTICS (continued)

RECEIVER RISE, FALL TIME
vs
FREE-AIR TEMPERATURE

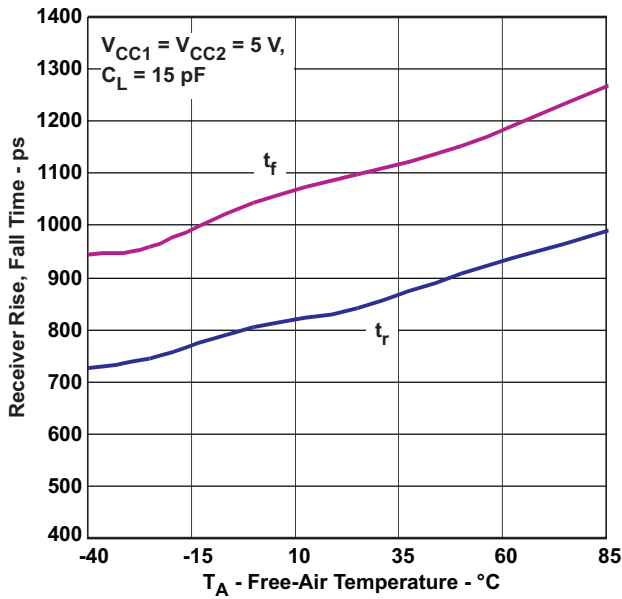


Figure 25.

RECEIVER RISE, FALL TIME
vs
FREE-AIR TEMPERATURE

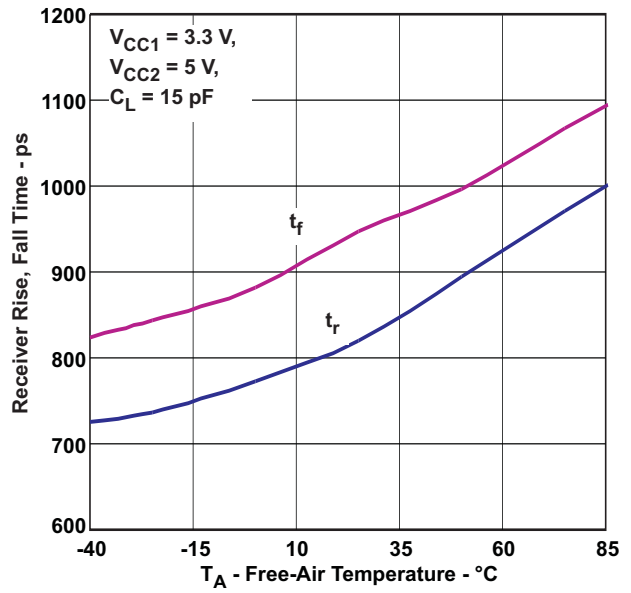


Figure 26.

DRIVER DIFFERENTIAL OUTPUT VOLTAGE
vs
LOAD CURRENT

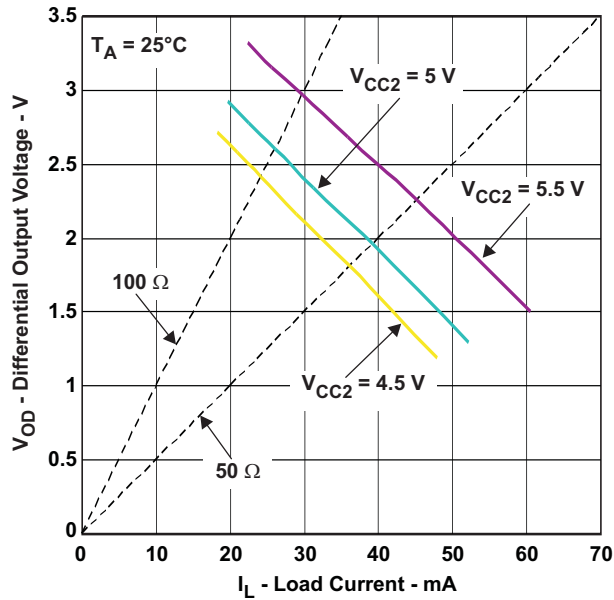


Figure 27.

RECEIVER HIGH-LEVEL OUTPUT CURRENT
vs
HIGH-LEVEL OUTPUT VOLTAGE

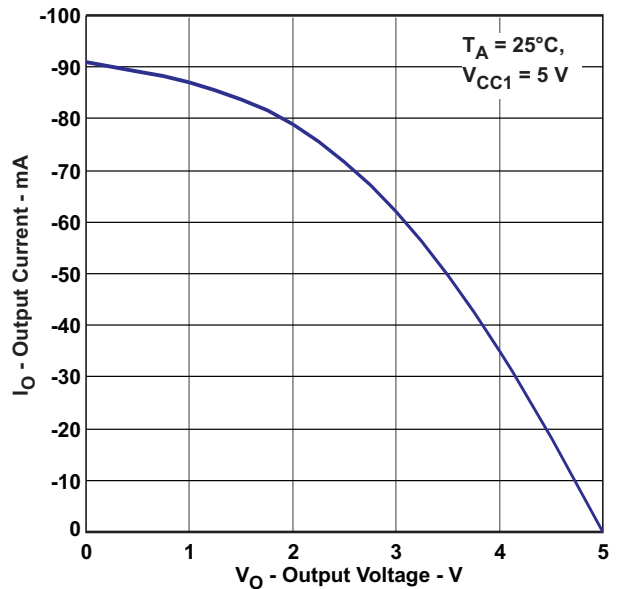


Figure 28.

TYPICAL CHARACTERISTICS (continued)

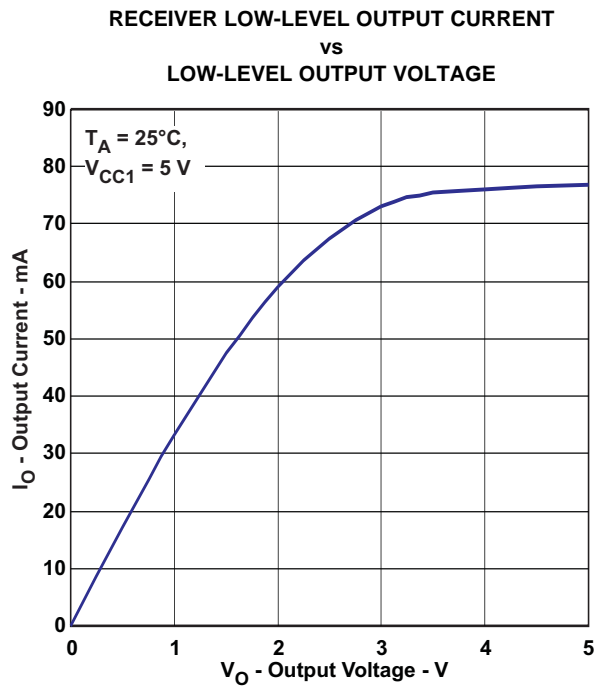


Figure 29.

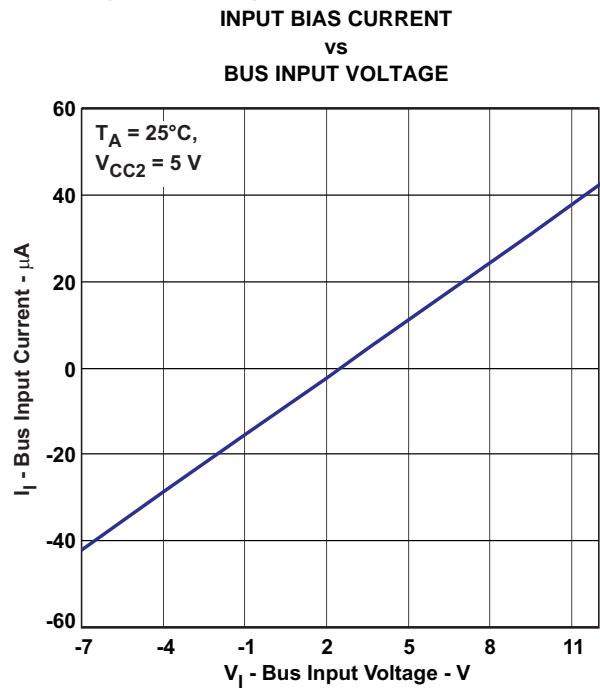


Figure 30.

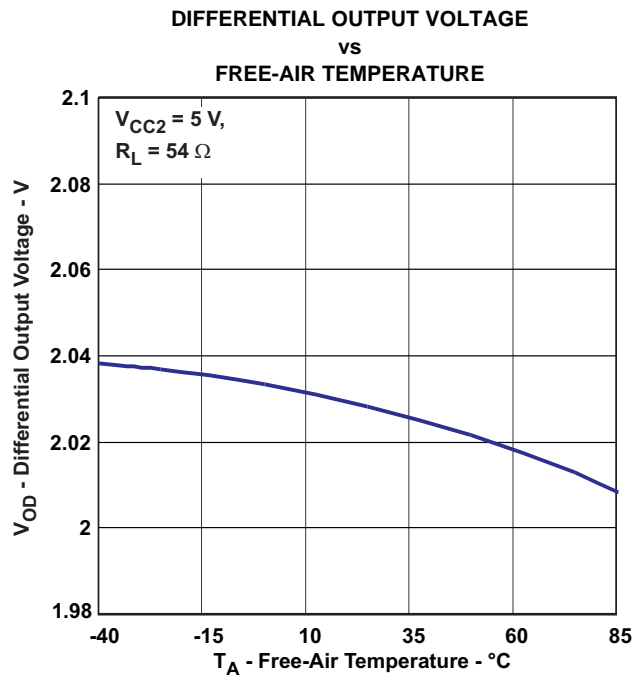


Figure 31.

APPLICATION INFORMATION

REFERENCE DESIGN

ISO3086T Reference design ([SLUU469](#)) and miniature evaluation boards are available.

TRANSIENT VOLTAGES

Isolation of a circuit insulates it from other circuits and earth so that noise develops across the insulation rather than circuit components. The most common noise threat to data-line circuits is voltage surges or electrical fast transients that occur after installation and the transient ratings of the ISO3086T are sufficient for all but the most severe installations. However, some equipment manufacturers use their ESD generators to test transient susceptibility of their equipment and can easily exceed insulation ratings. ESD generators simulate static discharges that may occur during device or equipment handling with low-energy but very high voltage transients.

Figure 32 models the ISO3086T bus IO connected to a noise generator. C_{IN} and R_{IN} is the device and any other stray or added capacitance or resistance across the A or B pin to GND2, C_{ISO} and R_{ISO} is the capacitance and resistance between GND1 and GND2 of the ISO308x plus those of any other insulation (transformer, etc.), and we assume stray inductance negligible. From this model, the voltage at the isolated bus return is

$$V_{GND2} = V_N \frac{Z_{ISO}}{Z_{ISO} + Z_{IN}}$$
 and will always be less than 16 V from V_N . If the ISO3086 are tested as a stand-alone device, $R_{IN} = 6 \times 10^4 \Omega$, $C_{IN} = 16 \times 10^{-12} \text{ F}$, $R_{ISO} = 10^9 \Omega$ and $C_{ISO} = 10^{-12} \text{ F}$.

Note from Figure 32 that the resistor ratio determines the voltage ratio at low frequency and it is the inverse capacitance ratio at high frequency. In the stand-alone case and for low frequency,

$$\frac{V_{GND2}}{V_N} = \frac{R_{ISO}}{R_{ISO} + R_{IN}} = \frac{10^9}{10^9 + 6 \times 10^4}$$

or essentially all of noise appears across the barrier. At very high frequency,

$$\frac{V_{GND2}}{V_N} = \frac{\frac{1}{C_{ISO}}}{\frac{1}{C_{ISO}} + \frac{1}{C_{IN}}} = \frac{1}{1 + \frac{C_{ISO}}{C_{IN}}} = \frac{1}{1 + \frac{1}{16}} = 0.94$$

and 94% of V_N appears across the barrier. As long as R_{ISO} is greater than R_{IN} and C_{ISO} is less than C_{IN} , most of transient noise appears across the isolation barrier, as it should.

We recommend the reader **not** test equipment transient susceptibility with ESD generators or consider product claims of ESD ratings above the barrier transient ratings of an isolated interface. ESD is best managed through recessing or covering connector pins in a conductive connector shell and installer training.

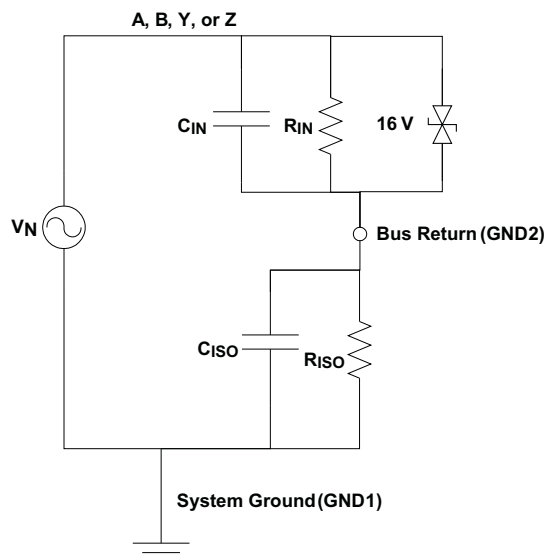


Figure 32. Noise Model

REVISION HISTORY

Changes from Original (January 2011) to Revision A	Page
• Changed the data sheet From: Preview To: Production	1
• Changed the Features and Description	1
• Added Figure 1 Typical Application Circuit	2
Changes from Revision A (March 2011) to Revision B	Page
• Deleted the MIN and MAX values from rows, $t_{r,d}$, $t_{f,D}$, and t_{BBM} of the TRANSFORMER DRIVER CHARACTERISTICS table	5
Changes from Revision B (July 2011) to Revision C	Page
• Added Note 1 to the TRANSFORMER DRIVER CHARACTERISTICS table	5
• Changed the TRANSFORMER DRIVER CHARACTERISTICS table - f_{st} Test Conditions From: $V_{CC1} = 9V$ To: $V_{CC1} = 2.4$ and Changed the TYP value From: 230 To: 350 kHz	5

PACKAGING INFORMATION

Orderable Device	Status ⁽¹⁾	Package Type	Package Drawing	Pins	Package Qty	Eco Plan ⁽²⁾	Lead/ Ball Finish	MSL Peak Temp ⁽³⁾	Samples (Requires Login)
ISO3086TDW	ACTIVE	SOIC	DW	16	40	Green (RoHS & no Sb/Br)	CU NIPDAU	Level-2-260C-1 YEAR	
ISO3086TDWR	ACTIVE	SOIC	DW	16	2000	Green (RoHS & no Sb/Br)	CU NIPDAU	Level-2-260C-1 YEAR	

⁽¹⁾ The marketing status values are defined as follows:

ACTIVE: Product device recommended for new designs.

LIFEBUY: TI has announced that the device will be discontinued, and a lifetime-buy period is in effect.

NRND: Not recommended for new designs. Device is in production to support existing customers, but TI does not recommend using this part in a new design.

PREVIEW: Device has been announced but is not in production. Samples may or may not be available.

OBSOLETE: TI has discontinued the production of the device.

⁽²⁾ Eco Plan - The planned eco-friendly classification: Pb-Free (RoHS), Pb-Free (RoHS Exempt), or Green (RoHS & no Sb/Br) - please check <http://www.ti.com/productcontent> for the latest availability information and additional product content details.

TBD: The Pb-Free/Green conversion plan has not been defined.

Pb-Free (RoHS): TI's terms "Lead-Free" or "Pb-Free" mean semiconductor products that are compatible with the current RoHS requirements for all 6 substances, including the requirement that lead not exceed 0.1% by weight in homogeneous materials. Where designed to be soldered at high temperatures, TI Pb-Free products are suitable for use in specified lead-free processes.

Pb-Free (RoHS Exempt): This component has a RoHS exemption for either 1) lead-based flip-chip solder bumps used between the die and package, or 2) lead-based die adhesive used between the die and leadframe. The component is otherwise considered Pb-Free (RoHS compatible) as defined above.

Green (RoHS & no Sb/Br): TI defines "Green" to mean Pb-Free (RoHS compatible), and free of Bromine (Br) and Antimony (Sb) based flame retardants (Br or Sb do not exceed 0.1% by weight in homogeneous material)

⁽³⁾ MSL, Peak Temp. -- The Moisture Sensitivity Level rating according to the JEDEC industry standard classifications, and peak solder temperature.

Important Information and Disclaimer: The information provided on this page represents TI's knowledge and belief as of the date that it is provided. TI bases its knowledge and belief on information provided by third parties, and makes no representation or warranty as to the accuracy of such information. Efforts are underway to better integrate information from third parties. TI has taken and continues to take reasonable steps to provide representative and accurate information but may not have conducted destructive testing or chemical analysis on incoming materials and chemicals. TI and TI suppliers consider certain information to be proprietary, and thus CAS numbers and other limited information may not be available for release.

In no event shall TI's liability arising out of such information exceed the total purchase price of the TI part(s) at issue in this document sold by TI to Customer on an annual basis.

DW (R-PDSO-G16)

PLASTIC SMALL OUTLINE



- NOTES:
- All linear dimensions are in inches (millimeters). Dimensioning and tolerancing per ASME Y14.5M-1994.
 - This drawing is subject to change without notice.
 - Body dimensions do not include mold flash or protrusion not to exceed 0.006 (0,15).
 - Falls within JEDEC MS-013 variation AA.

IMPORTANT NOTICE

Texas Instruments Incorporated and its subsidiaries (TI) reserve the right to make corrections, modifications, enhancements, improvements, and other changes to its products and services at any time and to discontinue any product or service without notice. Customers should obtain the latest relevant information before placing orders and should verify that such information is current and complete. All products are sold subject to TI's terms and conditions of sale supplied at the time of order acknowledgment.

TI warrants performance of its hardware products to the specifications applicable at the time of sale in accordance with TI's standard warranty. Testing and other quality control techniques are used to the extent TI deems necessary to support this warranty. Except where mandated by government requirements, testing of all parameters of each product is not necessarily performed.

TI assumes no liability for applications assistance or customer product design. Customers are responsible for their products and applications using TI components. To minimize the risks associated with customer products and applications, customers should provide adequate design and operating safeguards.

TI does not warrant or represent that any license, either express or implied, is granted under any TI patent right, copyright, mask work right, or other TI intellectual property right relating to any combination, machine, or process in which TI products or services are used. Information published by TI regarding third-party products or services does not constitute a license from TI to use such products or services or a warranty or endorsement thereof. Use of such information may require a license from a third party under the patents or other intellectual property of the third party, or a license from TI under the patents or other intellectual property of TI.

Reproduction of TI information in TI data books or data sheets is permissible only if reproduction is without alteration and is accompanied by all associated warranties, conditions, limitations, and notices. Reproduction of this information with alteration is an unfair and deceptive business practice. TI is not responsible or liable for such altered documentation. Information of third parties may be subject to additional restrictions.

Resale of TI products or services with statements different from or beyond the parameters stated by TI for that product or service voids all express and any implied warranties for the associated TI product or service and is an unfair and deceptive business practice. TI is not responsible or liable for any such statements.

TI products are not authorized for use in safety-critical applications (such as life support) where a failure of the TI product would reasonably be expected to cause severe personal injury or death, unless officers of the parties have executed an agreement specifically governing such use. Buyers represent that they have all necessary expertise in the safety and regulatory ramifications of their applications, and acknowledge and agree that they are solely responsible for all legal, regulatory and safety-related requirements concerning their products and any use of TI products in such safety-critical applications, notwithstanding any applications-related information or support that may be provided by TI. Further, Buyers must fully indemnify TI and its representatives against any damages arising out of the use of TI products in such safety-critical applications.

TI products are neither designed nor intended for use in military/aerospace applications or environments unless the TI products are specifically designated by TI as military-grade or "enhanced plastic." Only products designated by TI as military-grade meet military specifications. Buyers acknowledge and agree that any such use of TI products which TI has not designated as military-grade is solely at the Buyer's risk, and that they are solely responsible for compliance with all legal and regulatory requirements in connection with such use.

TI products are neither designed nor intended for use in automotive applications or environments unless the specific TI products are designated by TI as compliant with ISO/TS 16949 requirements. Buyers acknowledge and agree that, if they use any non-designated products in automotive applications, TI will not be responsible for any failure to meet such requirements.

Following are URLs where you can obtain information on other Texas Instruments products and application solutions:

Products

Audio	www.ti.com/audio
Amplifiers	amplifier.ti.com
Data Converters	dataconverter.ti.com
DLP® Products	www.dlp.com
DSP	dsp.ti.com
Clocks and Timers	www.ti.com/clocks
Interface	interface.ti.com
Logic	logic.ti.com
Power Mgmt	power.ti.com
Microcontrollers	microcontroller.ti.com
RFID	www.ti-rfid.com
OMAP Mobile Processors	www.ti.com/omap
Wireless Connectivity	www.ti.com/wirelessconnectivity

Applications

Automotive and Transportation	www.ti.com/automotive
Communications and Telecom	www.ti.com/communications
Computers and Peripherals	www.ti.com/computers
Consumer Electronics	www.ti.com/consumer-apps
Energy and Lighting	www.ti.com/energy
Industrial	www.ti.com/industrial
Medical	www.ti.com/medical
Security	www.ti.com/security
Space, Avionics and Defense	www.ti.com/space-avionics-defense
Video and Imaging	www.ti.com/video

TI E2E Community Home Page

e2e.ti.com

Mailing Address: Texas Instruments, Post Office Box 655303, Dallas, Texas 75265
Copyright © 2012, Texas Instruments Incorporated