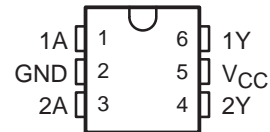


# SN74LVC2G14 DUAL SCHMITT-TRIGGER INVERTER

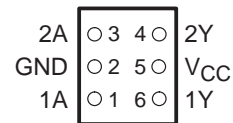
SCES2001 – APRIL 1999 – REVISED JUNE 2003

- Available in the Texas Instruments NanoStar™ and NanoFree™ Packages
- Supports 5-V  $V_{CC}$  Operation
- Inputs Accept Voltages to 5.5 V
- Max  $t_{pd}$  of 5.4 ns at 3.3 V
- Low Power Consumption, 10- $\mu$ A Max  $I_{CC}$
- $\pm 24$ -mA Output Drive at 3.3 V
- Typical  $V_{OLP}$  (Output Ground Bounce)  $< 0.8$  V at  $V_{CC} = 3.3$  V,  $T_A = 25^\circ\text{C}$
- Typical  $V_{OHV}$  (Output  $V_{OH}$  Undershoot)  $> 2$  V at  $V_{CC} = 3.3$  V,  $T_A = 25^\circ\text{C}$
- $I_{off}$  Feature Supports Partial-Power-Down Mode Operation
- Latch-Up Performance Exceeds 100 mA Per JESD 78, Class II
- ESD Protection Exceeds JESD 22
  - 2000-V Human-Body Model (A114-A)
  - 1000-V Charged-Device Model (C101)

DBV OR DCK PACKAGE  
(TOP VIEW)



YEA, YEP, YZA, OR YZP PACKAGE  
(BOTTOM VIEW)



## description/ordering information

This dual Schmitt-trigger inverter is designed for 1.65-V to 5.5-V  $V_{CC}$  operation.

NanoStar™ and NanoFree™ package technology is a major breakthrough in IC packaging concepts, using the die as the package.

## ORDERING INFORMATION

| $T_A$         | PACKAGE†   |              | ORDERABLE PART NUMBER | TOP-SIDE MARKING‡ |
|---------------|--|--------------|-----------------------|-------------------|
| -40°C to 85°C | NanoStar™ – WCSP (DSBGA)<br>0.17-mm Small Bump – YEA           | Reel of 3000 | SN74LVC2G14YEAR       | ---CF_            |
|               | NanoFree™ – WCSP (DSBGA)<br>0.17-mm Small Bump – YZA (Pb-free) |              | SN74LVC2G14YZAR       |                   |
|               | NanoStar™ – WCSP (DSBGA)<br>0.23-mm Large Bump – YEP           |              | SN74LVC2G14YEPR       |                   |
|               | NanoFree™ – WCSP (DSBGA)<br>0.23-mm Large Bump – YZP (Pb-free) |              | SN74LVC2G14YZPR       |                   |
|               | SOT (SOT-23) – DBV   | Reel of 3000 | SN74LVC2G14DBVR       | C14_              |
|               |  | Reel of 250  | SN74LVC2G14DBVT       |                   |
|               | SOT (SC-70) – DCK  | Reel of 3000 | SN74LVC2G14DCKR       | CF_               |
|               |  | Reel of 250  | SN74LVC2G14DCKT       |                   |

† Package drawings, standard packing quantities, thermal data, symbolization, and PCB design guidelines are available at [www.ti.com/sc/package](http://www.ti.com/sc/package).

‡ DBV/DCK: The actual top-side marking has one additional character that designates the assembly/test site.

YEA/YZA, YEP/YZP: The actual top-side marking has three preceding characters to denote year, month, and sequence code, and one following character to designate the assembly/test site.



Please be aware that an important notice concerning availability, standard warranty, and use in critical applications of Texas Instruments semiconductor products and disclaimers thereto appears at the end of this data sheet.

NanoStar and NanoFree are trademarks of Texas Instruments.

PRODUCTION DATA information is current as of publication date. Products conform to specifications per the terms of Texas Instruments standard warranty. Production processing does not necessarily include testing of all parameters.

 **TEXAS  
INSTRUMENTS**

POST OFFICE BOX 655303 • DALLAS, TEXAS 75265

Copyright © 2003, Texas Instruments Incorporated

# SN74LVC2G14

## DUAL SCHMITT-TRIGGER INVERTER

SCES2001 – APRIL 1999 – REVISED JUNE 2003

### description/ordering information (continued)

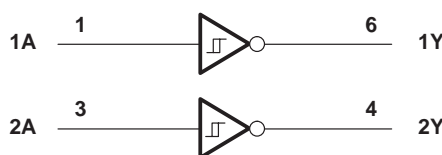
The SN74LVC2G14 contains two inverters and performs the Boolean function  $Y = \bar{A}$ . The device functions as two independent inverters, but because of Schmitt action, it may have different input threshold levels for positive-going ( $V_{T+}$ ) and negative-going ( $V_{T-}$ ) signals.

This device is fully specified for partial-power-down applications using  $I_{off}$ . The  $I_{off}$  circuitry disables the outputs, preventing damaging current backflow through the device when it is powered down.

**FUNCTION TABLE**  
(each inverter)

| INPUT<br>A | OUTPUT<br>Y |
|------------|-------------|
| H          | L           |
| L          | H           |

### logic diagram (positive logic)



### absolute maximum ratings over operating free-air temperature range (unless otherwise noted)†

|   |                            |
|---|----------------------------|
| Supply voltage range, $V_{CC}$ .....  | -0.5 V to 6.5 V            |
| Input voltage range, $V_I$ (see Note 1) .....   | -0.5 V to 6.5 V            |
| Voltage range applied to any output in the high-impedance or power-off state, $V_O$<br>(see Note 1) ..... | -0.5 V to 6.5 V            |
| Voltage range applied to any output in the high or low state, $V_O$<br>(see Notes 1 and 2) .....          | -0.5 V to $V_{CC} + 0.5$ V |
| Input clamp current, $I_{IK}$ ( $V_I < 0$ ) .....   | -50 mA                     |
| Output clamp current, $I_{OK}$ ( $V_O < 0$ ) .....  | -50 mA                     |
| Continuous output current, $I_O$ .....  | $\pm 50$ mA                |
| Continuous current through $V_{CC}$ or GND .....  | $\pm 100$ mA               |
| Package thermal impedance, $\theta_{JA}$ (see Note 3): DBV package .....                                  | 165°C/W                    |
| DCK package .....   | 259°C/W                    |
| YEA/YZA package .....   | 143°C/W                    |
| YEP/YZP package .....   | 123°C/W                    |
| Storage temperature range, $T_{stg}$ .....  | -65°C to 150°C             |

† Stresses beyond those listed under “absolute maximum ratings” may cause permanent damage to the device. These are stress ratings only, and functional operation of the device at these or any other conditions beyond those indicated under “recommended operating conditions” is not implied. Exposure to absolute-maximum-rated conditions for extended periods may affect device reliability.

- NOTES: 1. The input negative-voltage and output voltage ratings may be exceeded if the input and output current ratings are observed.  
2. The value of  $V_{CC}$  is provided in the recommended operating conditions table.  
3. The package thermal impedance is calculated in accordance with JESD 51-7.

# SN74LVC2G14 DUAL SCHMITT-TRIGGER INVERTER

SCES2001 – APRIL 1999 – REVISED JUNE 2003

## recommended operating conditions (see Note 4)

|                 |                                | MIN                      | MAX             | UNIT |    |
|-----------------|--------------------------------|--------------------------|-----------------|------|----|
| V <sub>CC</sub> | Supply voltage                 | Operating                | 1.65            | 5.5  | V  |
|                 |                                | Data retention only      | 1.5             |      |    |
| V <sub>I</sub>  | Input voltage                  | 0                        | 5.5             | V    |    |
| V <sub>O</sub>  | Output voltage                 | 0                        | V <sub>CC</sub> | V    |    |
| I <sub>OH</sub> | High-level output current      | V <sub>CC</sub> = 1.65 V |                 | -4   | mA |
|                 |                                | V <sub>CC</sub> = 2.3 V  |                 | -8   |    |
|                 |                                | V <sub>CC</sub> = 3 V    |                 | -16  |    |
|                 |                                | V <sub>CC</sub> = 4.5 V  |                 | -24  |    |
| I <sub>OL</sub> | Low-level output current       | V <sub>CC</sub> = 1.65 V |                 | 4    | mA |
|                 |                                | V <sub>CC</sub> = 2.3 V  |                 | 8    |    |
|                 |                                | V <sub>CC</sub> = 3 V    |                 | 16   |    |
|                 |                                | V <sub>CC</sub> = 4.5 V  |                 | 24   |    |
| T <sub>A</sub>  | Operating free-air temperature | -40                      | 85              | °C   |    |

NOTE 4: All unused inputs of the device must be held at V<sub>CC</sub> or GND to ensure proper device operation. Refer to the TI application report, *Implications of Slow or Floating CMOS Inputs*, literature number SCBA004.

# SN74LVC2G14

## DUAL SCHMITT-TRIGGER INVERTER

SCES200I – APRIL 1999 – REVISED JUNE 2003

electrical characteristics over recommended operating free-air temperature range (unless otherwise noted)

| PARAMETER   |         | TEST CONDITIONS  | V <sub>CC</sub> | MIN                  | TYP† | MAX  | UNIT |
|---|---------|--|-----------------|----------------------|------|------|------|
| V <sub>T+</sub><br>Positive-going input<br>threshold voltage          |         |  | 1.65 V          | 0.7                  |      | 1.4  | V    |
|   |         |  | 2.3 V           | 1                    |      | 1.7  |      |
|   |         |  | 3 V             | 1.3                  |      | 2.2  |      |
|   |         |  | 4.5 V           | 1.9                  |      | 3.1  |      |
|   |         |  | 5.5 V           | 2.2                  |      | 3.7  |      |
| V <sub>T-</sub><br>Negative-going input<br>threshold voltage          |         |  | 1.65 V          | 0.3                  |      | 0.7  | V    |
|   |         |  | 2.3 V           | 0.4                  |      | 1    |      |
|   |         |  | 3 V             | 0.6                  |      | 1.3  |      |
|   |         |  | 4.5 V           | 1.1                  |      | 2    |      |
|   |         |  | 5.5 V           | 1.4                  |      | 2.5  |      |
| ΔV <sub>T</sub><br>Hysteresis<br>(V <sub>T+</sub> – V <sub>T-</sub> ) |         |  | 1.65 V          | 0.3                  |      | 0.8  | V    |
|   |         |  | 2.3 V           | 0.4                  |      | 0.9  |      |
|   |         |  | 3 V             | 0.4                  |      | 1.1  |      |
|   |         |  | 4.5 V           | 0.6                  |      | 1.3  |      |
|   |         |  | 5.5 V           | 0.7                  |      | 1.4  |      |
| V <sub>OH</sub>   |         | I <sub>OH</sub> = –100 μA  | 1.65 V to 4.5 V | V <sub>CC</sub> –0.1 |      |      | V    |
|   |         | I <sub>OH</sub> = –4 mA  | 1.65 V          | 1.2                  |      |      |      |
|   |         | I <sub>OH</sub> = –8 mA  | 2.3 V           | 1.9                  |      |      |      |
|   |         | I <sub>OH</sub> = –16 mA   | 3 V             | 2.4                  |      |      |      |
|   |         | I <sub>OH</sub> = –24 mA   | 3 V             | 2.3                  |      |      |      |
|   |         | I <sub>OH</sub> = –32 mA   | 4.5 V           | 3.8                  |      |      |      |
| V <sub>OL</sub>   |         | I <sub>OL</sub> = 100 μA   | 1.65 V to 4.5 V |                      |      | 0.1  | V    |
|   |         | I <sub>OL</sub> = 4 mA   | 1.65 V          |                      |      | 0.45 |      |
|   |         | I <sub>OL</sub> = 8 mA   | 2.3 V           |                      |      | 0.3  |      |
|   |         | I <sub>OL</sub> = 16 mA  | 3 V             |                      |      | 0.4  |      |
|   |         | I <sub>OL</sub> = 24 mA  | 3 V             |                      |      | 0.55 |      |
|   |         | I <sub>OL</sub> = 32 mA  | 4.5 V           |                      |      | 0.55 |      |
| I <sub>I</sub>  | A input | V <sub>I</sub> = 5.5 V or GND  | 0 to 5.5 V      |                      |      | ±5   | μA   |
| I <sub>off</sub>  |         | V <sub>I</sub> or V <sub>O</sub> = 5.5 V                                     | 0               |                      |      | ±10  | μA   |
| I <sub>CC</sub>   |         | V <sub>I</sub> = 5.5 V or GND, I <sub>O</sub> = 0                            | 1.65 V to 5.5 V |                      |      | 10   | μA   |
| ΔI <sub>CC</sub>  |         | One input at V <sub>CC</sub> – 0.6 V, Other inputs at V <sub>CC</sub> or GND | 3 V to 5.5 V    |                      |      | 500  | μA   |
| C <sub>i</sub>  |         | V <sub>I</sub> = V <sub>CC</sub> or GND                                      | 3.3 V           |                      |      | 4    | pF   |

† All typical values are at V<sub>CC</sub> = 3.3 V, T<sub>A</sub> = 25°C.

switching characteristics over recommended operating free-air temperature range (unless otherwise noted) (see Figure 1)

| PARAMETER       | FROM<br>(INPUT) | TO<br>(OUTPUT) | V <sub>CC</sub> = 1.8 V<br>± 0.15 V |     | V <sub>CC</sub> = 2.5 V<br>± 0.2 V |     | V <sub>CC</sub> = 3.3 V<br>± 0.3 V |     | V <sub>CC</sub> = 5 V<br>± 0.5 V |     | UNIT |
|-----------------|-----------------|----------------|-------------------------------------|-----|------------------------------------|-----|------------------------------------|-----|----------------------------------|-----|------|
|                 |                 |                | MIN                                 | MAX | MIN                                | MAX | MIN                                | MAX | MIN                              | MAX |      |
| t <sub>pd</sub> | A               | Y              | 3.9                                 | 9.5 | 1.9                                | 5.7 | 2                                  | 5.4 | 1.5                              | 4.3 | ns   |



# SN74LVC2G14 DUAL SCHMITT-TRIGGER INVERTER

SCES2001 – APRIL 1999 – REVISED JUNE 2003

## operating characteristics, $T_A = 25^\circ\text{C}$

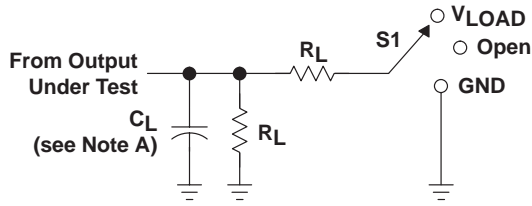
| PARAMETER                              | TEST CONDITIONS     | $V_{CC} = 1.8\text{ V}$ | $V_{CC} = 2.5\text{ V}$ | $V_{CC} = 3.3\text{ V}$ | $V_{CC} = 5\text{ V}$ | UNIT |
|--|---------------------|-------------------------|-------------------------|-------------------------|-----------------------|------|
|  |                     | TYP                     | TYP                     | TYP                     | TYP                   |      |
| $C_{pd}$ Power dissipation capacitance | $f = 10\text{ MHz}$ | 16                      | 17                      | 18                      | 21                    | pF   |

# SN74LVC2G14

## DUAL SCHMITT-TRIGGER INVERTER

SCES2001 – APRIL 1999 – REVISED JUNE 2003

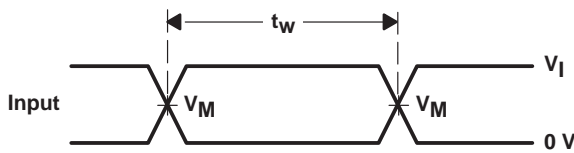
### PARAMETER MEASUREMENT INFORMATION



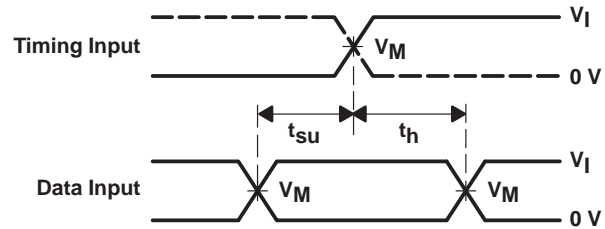
LOAD CIRCUIT

| TEST                               | S1                |
|------------------------------------|-------------------|
| t <sub>PLH</sub> /t <sub>PHL</sub> | Open              |
| t <sub>PLZ</sub> /t <sub>PZL</sub> | V <sub>LOAD</sub> |
| t <sub>PHZ</sub> /t <sub>PZH</sub> | GND               |

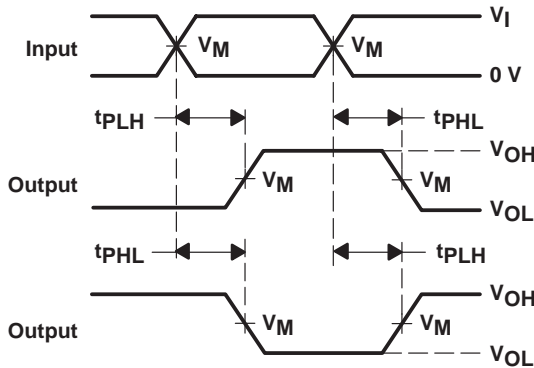
| V <sub>CC</sub> | INPUTS          |                                | V <sub>M</sub>     | V <sub>LOAD</sub>   | C <sub>L</sub> | R <sub>L</sub> | V <sub>Δ</sub> |
|-----------------|-----------------|--------------------------------|--------------------|---------------------|----------------|----------------|----------------|
|                 | V <sub>I</sub>  | t <sub>r</sub> /t <sub>f</sub> |                    |                     |                |                |                |
| 1.8 V ± 0.15 V  | V <sub>CC</sub> | ≤ 2 ns                         | V <sub>CC</sub> /2 | 2 × V <sub>CC</sub> | 30 pF          | 1 kΩ           | 0.15 V         |
| 2.5 V ± 0.2 V   | V <sub>CC</sub> | ≤ 2 ns                         | V <sub>CC</sub> /2 | 2 × V <sub>CC</sub> | 30 pF          | 500 Ω          | 0.15 V         |
| 3.3 V ± 0.3 V   | 3 V             | ≤ 2.5 ns                       | 1.5 V              | 6 V                 | 50 pF          | 500 Ω          | 0.3 V          |
| 5 V ± 0.5 V     | V <sub>CC</sub> | ≤ 2.5 ns                       | V <sub>CC</sub> /2 | 2 × V <sub>CC</sub> | 50 pF          | 500 Ω          | 0.3 V          |



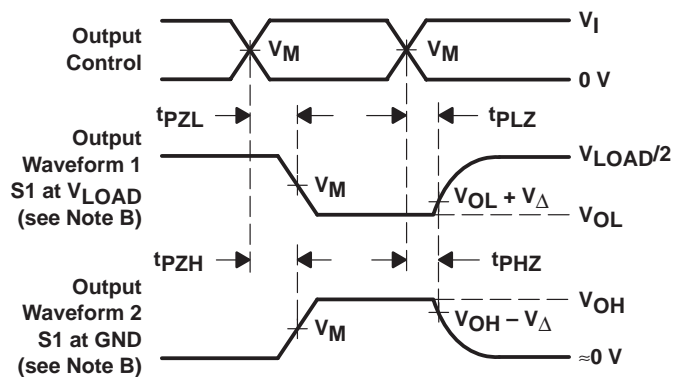
VOLTAGE WAVEFORMS  
PULSE DURATION



VOLTAGE WAVEFORMS  
SETUP AND HOLD TIMES



VOLTAGE WAVEFORMS  
PROPAGATION DELAY TIMES  
INVERTING AND NONINVERTING OUTPUTS



VOLTAGE WAVEFORMS  
ENABLE AND DISABLE TIMES  
LOW- AND HIGH-LEVEL ENABLING

- NOTES:
- A. C<sub>L</sub> includes probe and jig capacitance.
  - B. Waveform 1 is for an output with internal conditions such that the output is low except when disabled by the output control. Waveform 2 is for an output with internal conditions such that the output is high except when disabled by the output control.
  - C. All input pulses are supplied by generators having the following characteristics: PRR ≤ 10 MHz, Z<sub>O</sub> = 50 Ω.
  - D. The outputs are measured one at a time with one transition per measurement.
  - E. t<sub>PLZ</sub> and t<sub>PHZ</sub> are the same as t<sub>dis</sub>.
  - F. t<sub>PZL</sub> and t<sub>PZH</sub> are the same as t<sub>en</sub>.
  - G. t<sub>PLH</sub> and t<sub>PHL</sub> are the same as t<sub>pd</sub>.
  - H. All parameters and waveforms are not applicable to all devices.

Figure 1. Load Circuit and Voltage Waveforms

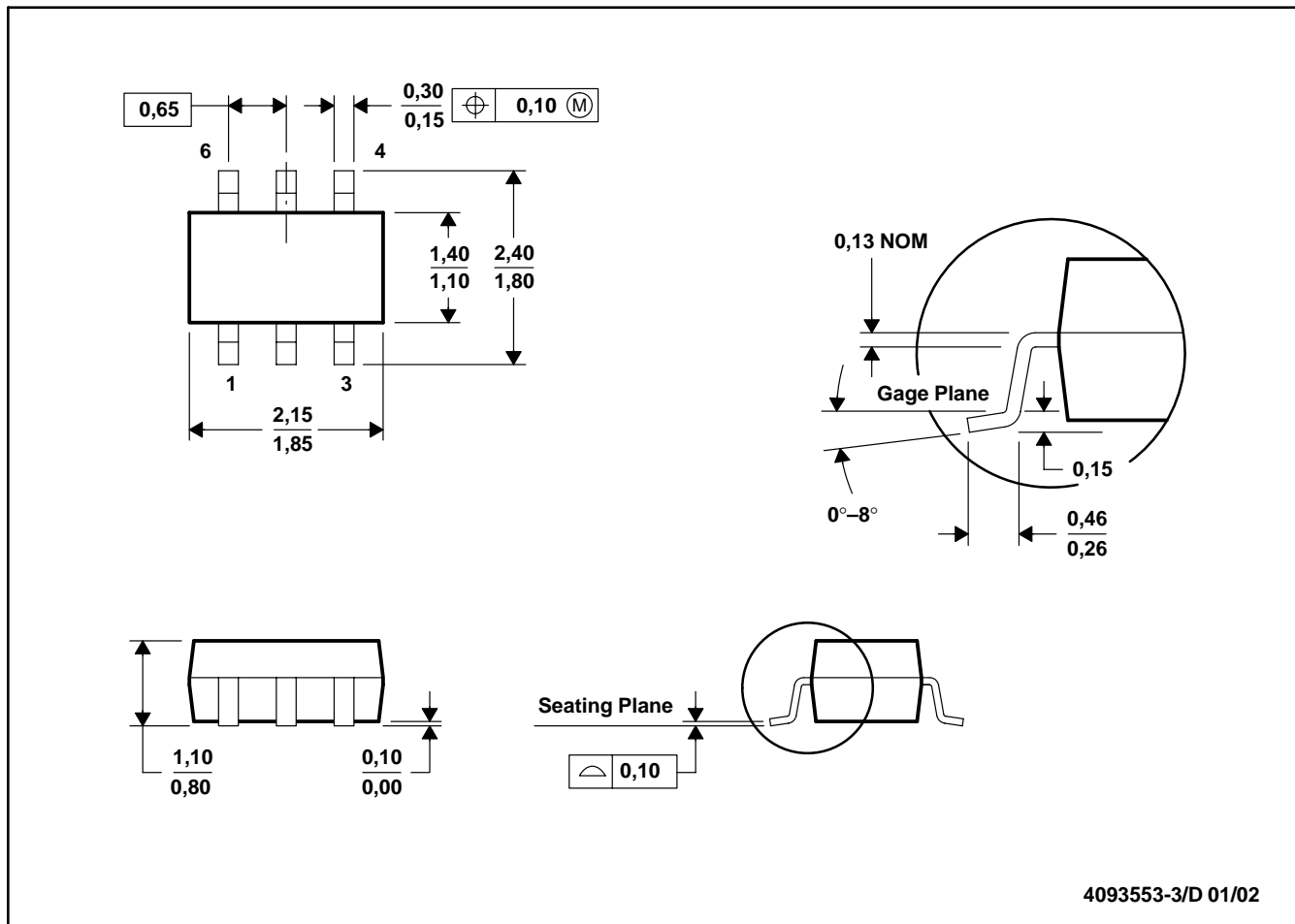


POST OFFICE BOX 655303 • DALLAS, TEXAS 75265



DCK (R-PDSO-G6)

PLASTIC SMALL-OUTLINE PACKAGE

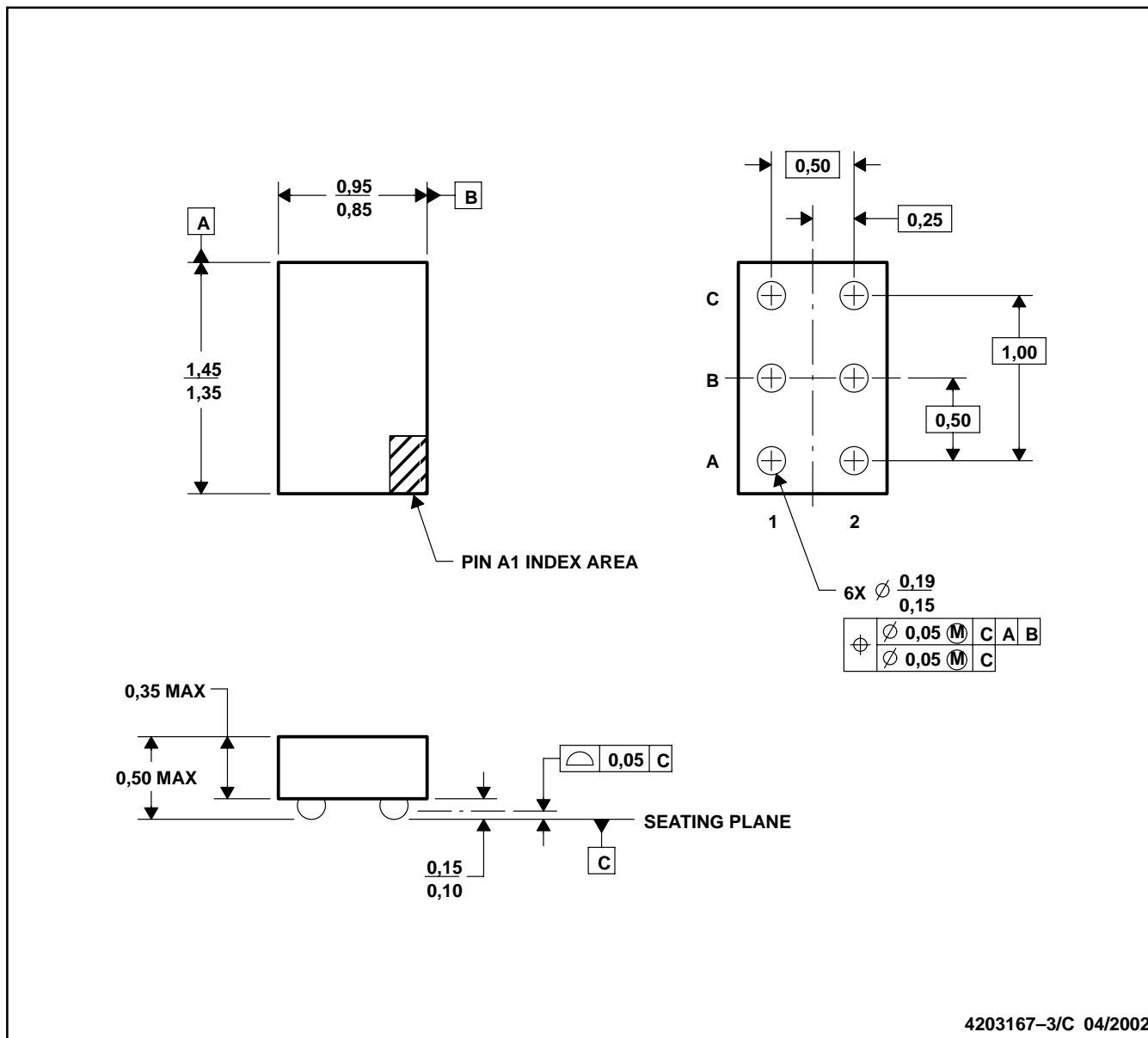


- NOTES: A. All linear dimensions are in millimeters.  
 B. This drawing is subject to change without notice.  
 C. Body dimensions do not include mold flash or protrusion.  
 D. Falls within JEDEC MO-203



YEA (R-XBGA-N6)

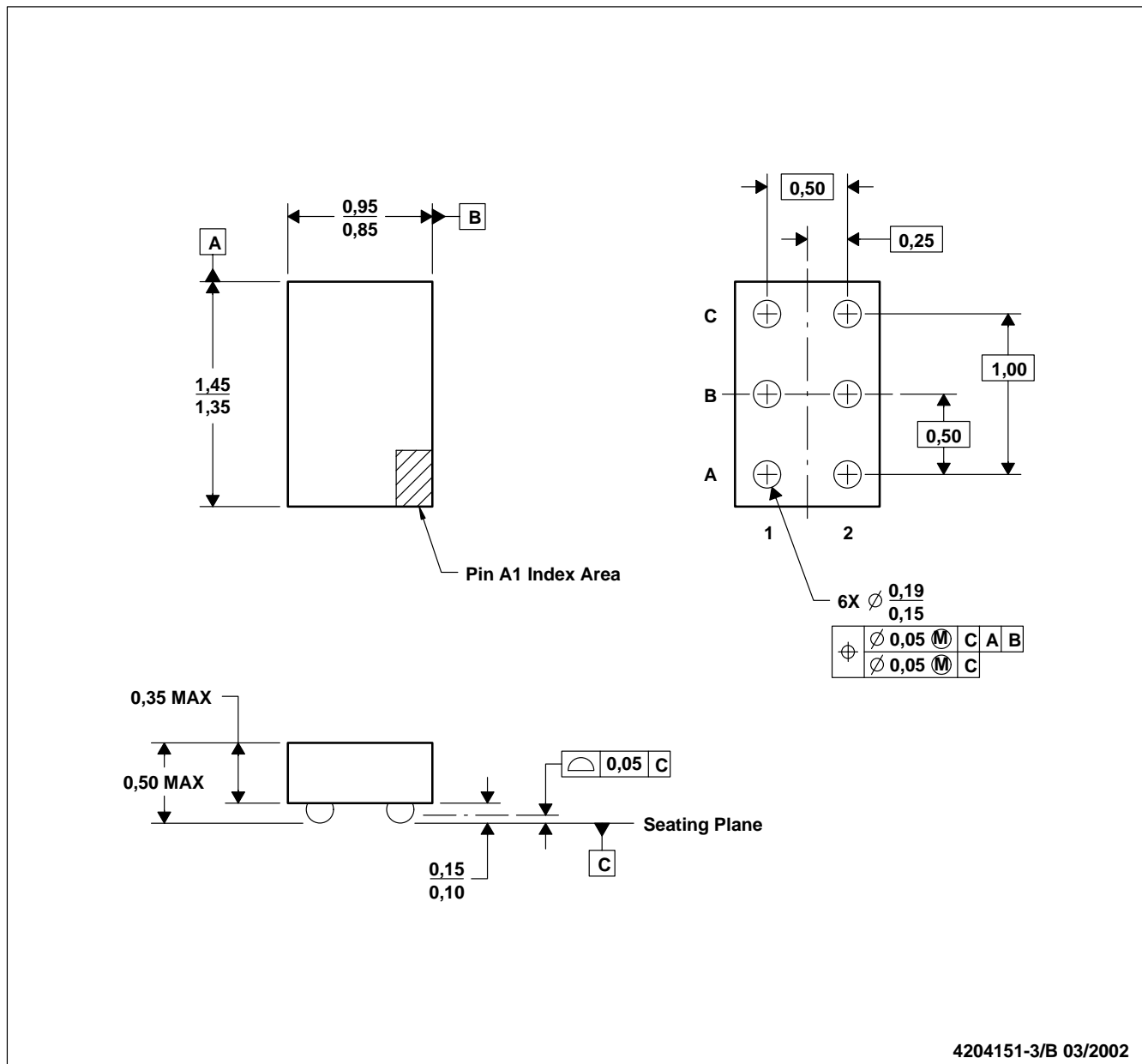
DIE-SIZE BALL GRID ARRAY



- NOTES:
- A. All linear dimensions are in millimeters.
  - B. This drawing is subject to change without notice.
  - C. NanoStar package configuration.
  - D. Package complies to JEDEC MO-211 variation EA.
  - E. This package is tin-lead (SnPb). Refer to the 6 YZA package (drawing 4204151) for lead-free.

YZA (R-XBGA-N6)

DIE-SIZE BALL GRID ARRAY



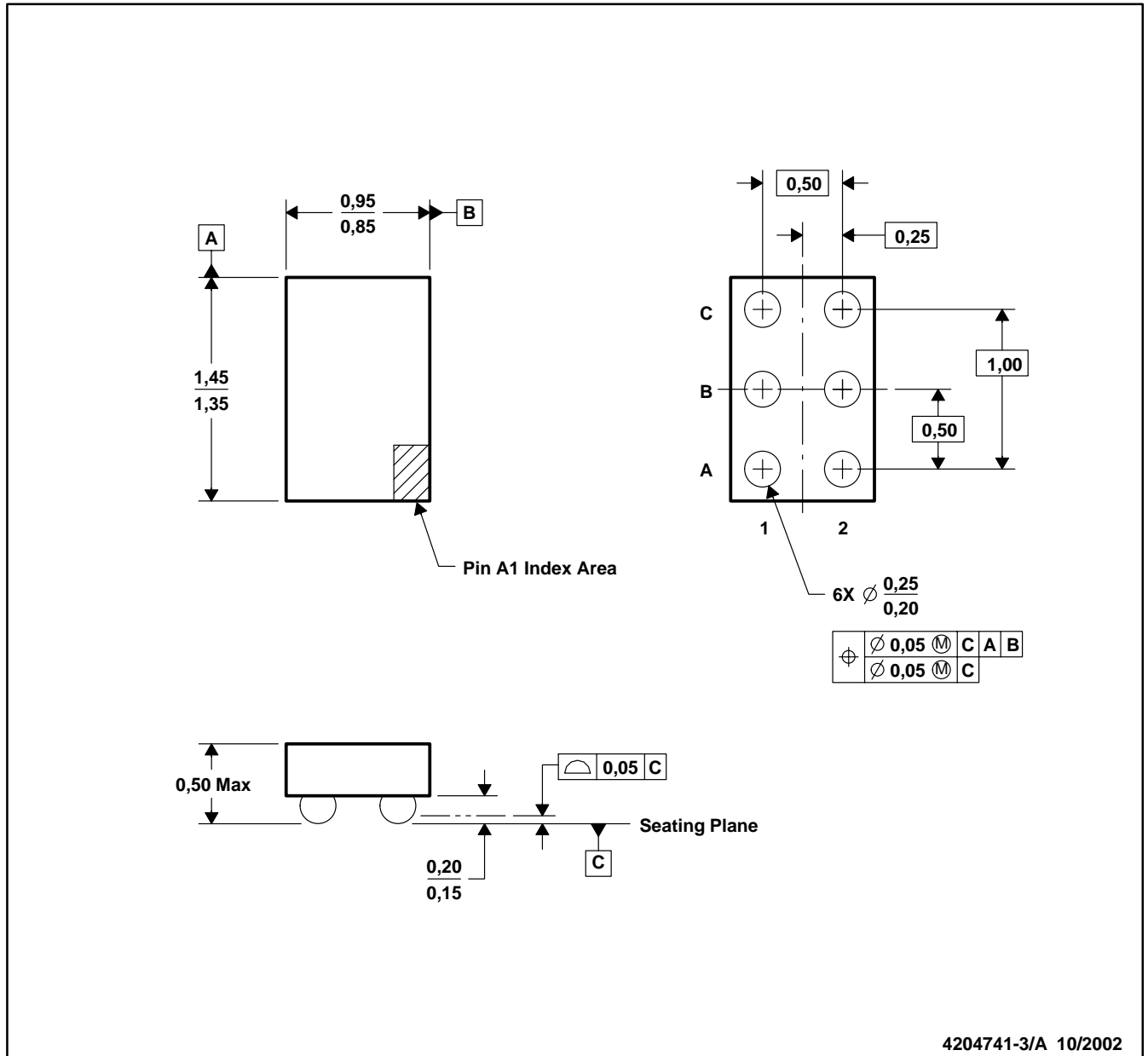
- NOTES: A. All linear dimensions are in millimeters.  
 B. This drawing is subject to change without notice.  
 C. NanoFree™ package configuration.  
 D. Package complies to JEDEC MO-211 variation EA.  
 E. This package is lead-free. Refer to the 6 YEA package (drawing 4203167) for tin-lead (SnPb).

NanoFree is a trademark of Texas Instruments.



YZP (R-XBGA-N6)

DIE-SIZE BALL GRID ARRAY



NOTES: A. All linear dimensions are in millimeters.

B. This drawing is subject to change without notice.

C. NanoFree™ package configuration.

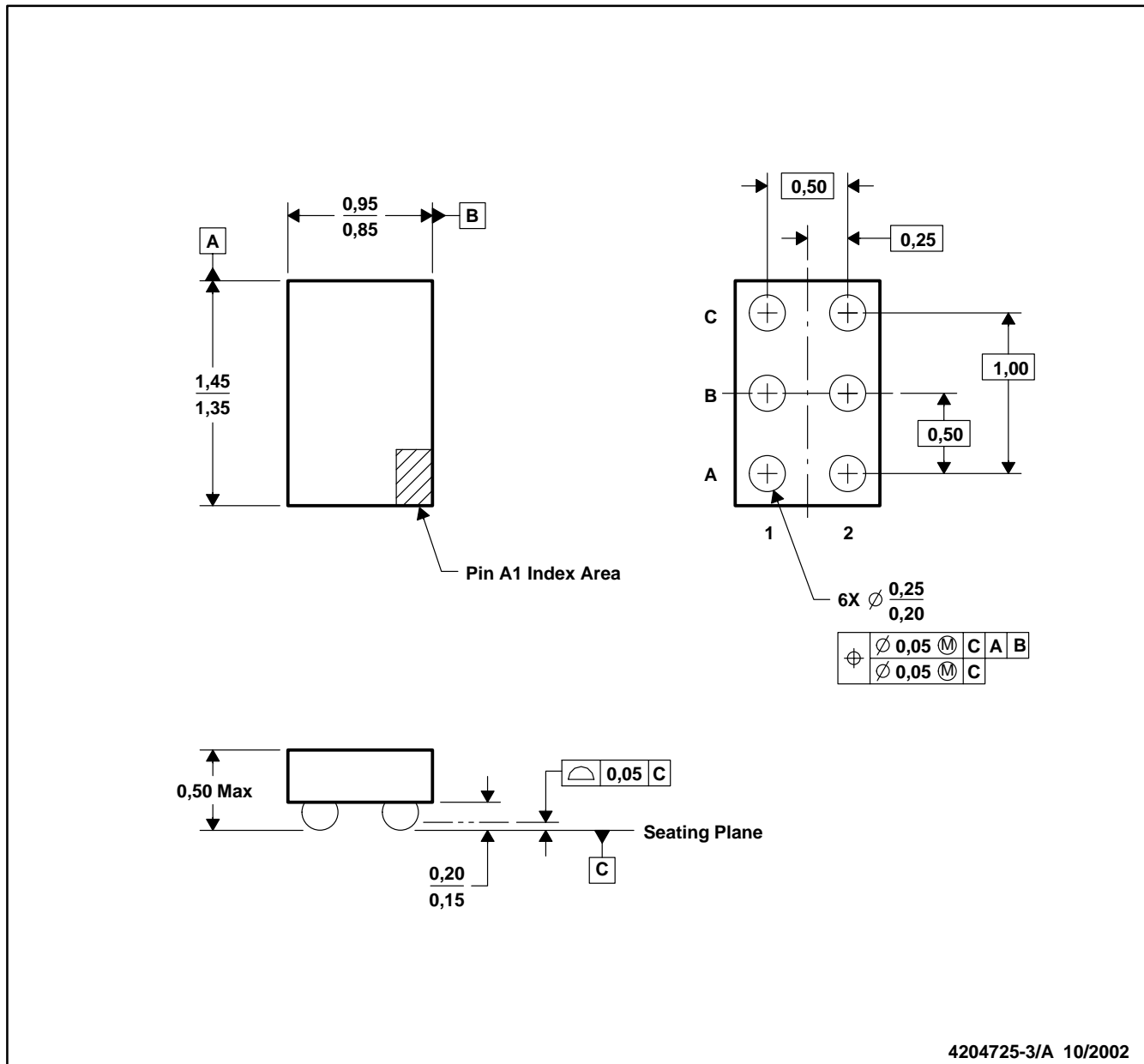
NOTES: D. This package is lead-free. Refer to the 6 YEP package (drawing 4204725) for tin-lead (SnPb).

NanoFree is a trademark of Texas Instruments.



YEP (R-XBGA-N6)

DIE-SIZE BALL GRID ARRAY



4204725-3/A 10/2002

- NOTES: A. All linear dimensions are in millimeters.  
 B. This drawing is subject to change without notice.  
 C. NanoFree™ package configuration.  
 D. This package is tin-lead (SnPb). Refer to the 6 YZP package (drawing 420741) for lead-free.

NanoFree is a trademark of Texas Instruments.



## IMPORTANT NOTICE

Texas Instruments Incorporated and its subsidiaries (TI) reserve the right to make corrections, modifications, enhancements, improvements, and other changes to its products and services at any time and to discontinue any product or service without notice. Customers should obtain the latest relevant information before placing orders and should verify that such information is current and complete. All products are sold subject to TI's terms and conditions of sale supplied at the time of order acknowledgment.

TI warrants performance of its hardware products to the specifications applicable at the time of sale in accordance with TI's standard warranty. Testing and other quality control techniques are used to the extent TI deems necessary to support this warranty. Except where mandated by government requirements, testing of all parameters of each product is not necessarily performed.

TI assumes no liability for applications assistance or customer product design. Customers are responsible for their products and applications using TI components. To minimize the risks associated with customer products and applications, customers should provide adequate design and operating safeguards.

TI does not warrant or represent that any license, either express or implied, is granted under any TI patent right, copyright, mask work right, or other TI intellectual property right relating to any combination, machine, or process in which TI products or services are used. Information published by TI regarding third-party products or services does not constitute a license from TI to use such products or services or a warranty or endorsement thereof. Use of such information may require a license from a third party under the patents or other intellectual property of the third party, or a license from TI under the patents or other intellectual property of TI.

Reproduction of information in TI data books or data sheets is permissible only if reproduction is without alteration and is accompanied by all associated warranties, conditions, limitations, and notices. Reproduction of this information with alteration is an unfair and deceptive business practice. TI is not responsible or liable for such altered documentation.

Resale of TI products or services with statements different from or beyond the parameters stated by TI for that product or service voids all express and any implied warranties for the associated TI product or service and is an unfair and deceptive business practice. TI is not responsible or liable for any such statements.

### Mailing Address:

Texas Instruments  
Post Office Box 655303  
Dallas, Texas 75265